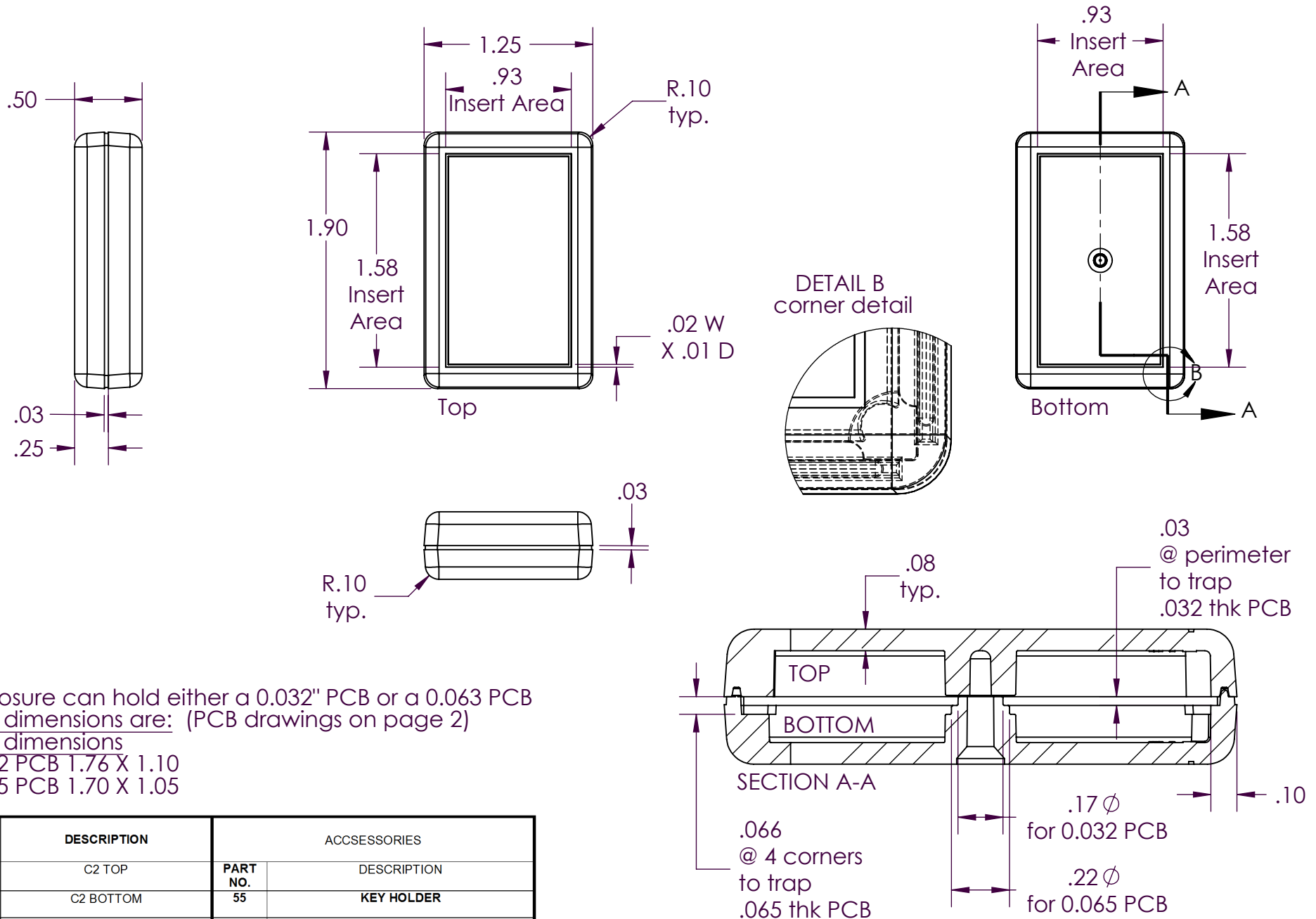


**NOTES:**

1) When machine or I-plates modifications are required, use the center of the enclosure to dimension.



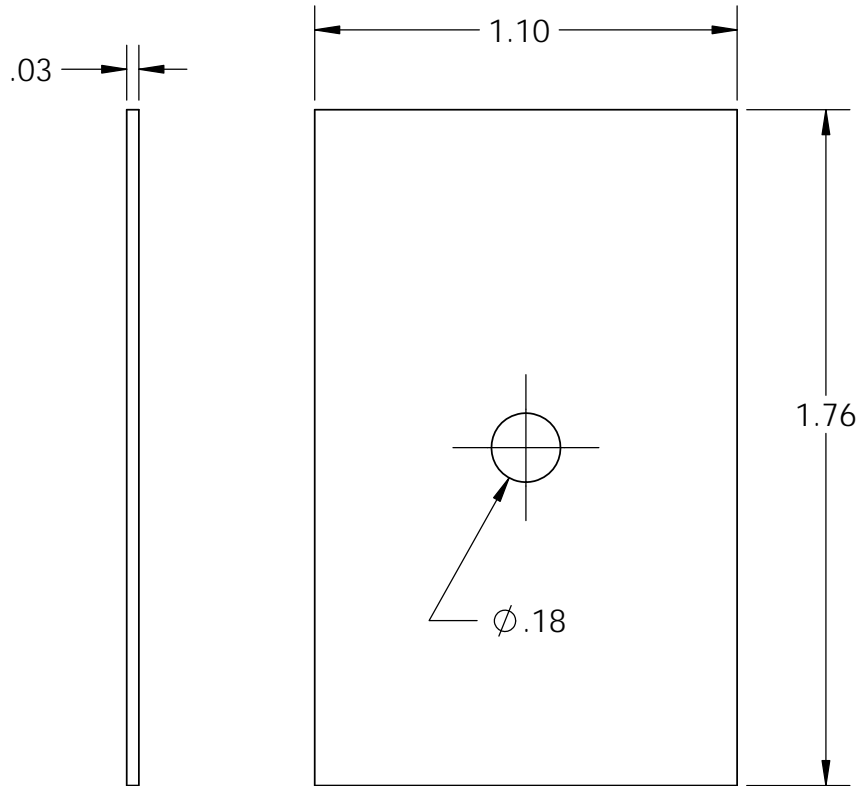
Enclosure can hold either a 0.032" PCB or a 0.063 PCB  
 PCB dimensions are: (PCB drawings on page 2)

PCB dimensions  
 0.032 PCB 1.76 X 1.10  
 0.065 PCB 1.70 X 1.05

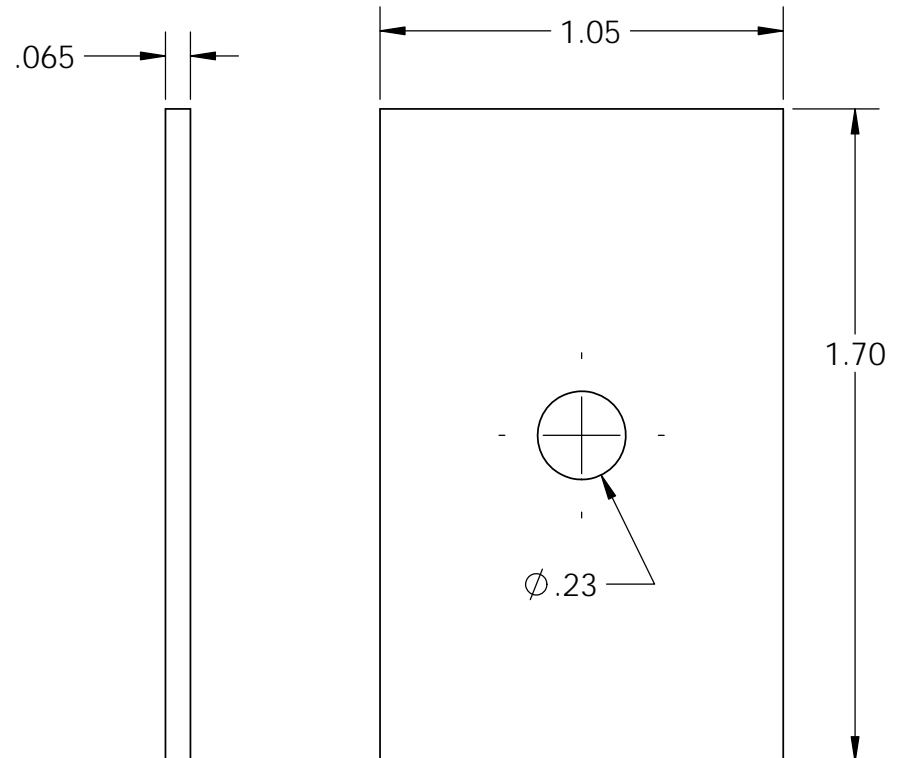
PART NO.	DESCRIPTION	ACCESSORIES	
1019	C2 TOP	PART NO.	DESCRIPTION
1020	C2 BOTTOM	55	KEY HOLDER
6002	SCREW 2x3/8" PHILFLAT H/L (1)		

# SERPAC CIRCUIT BOARD C2

Electronic Enclosures



**.032 board**



**.065 board**

**NOTES:**  
These are suggested dimensions.  
Plastic parts have a  $\pm 0.010$ " manufacturing tolerance.