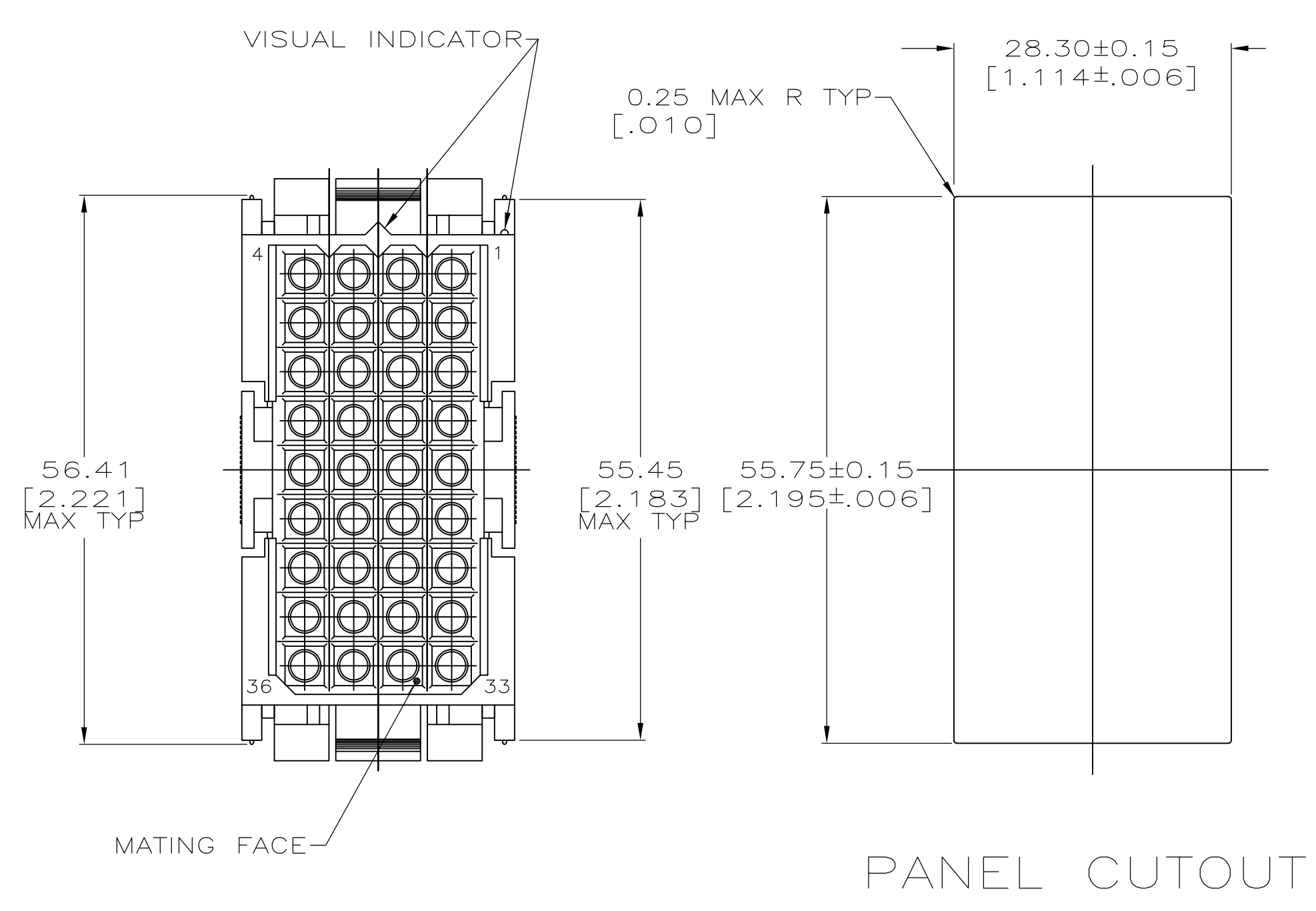
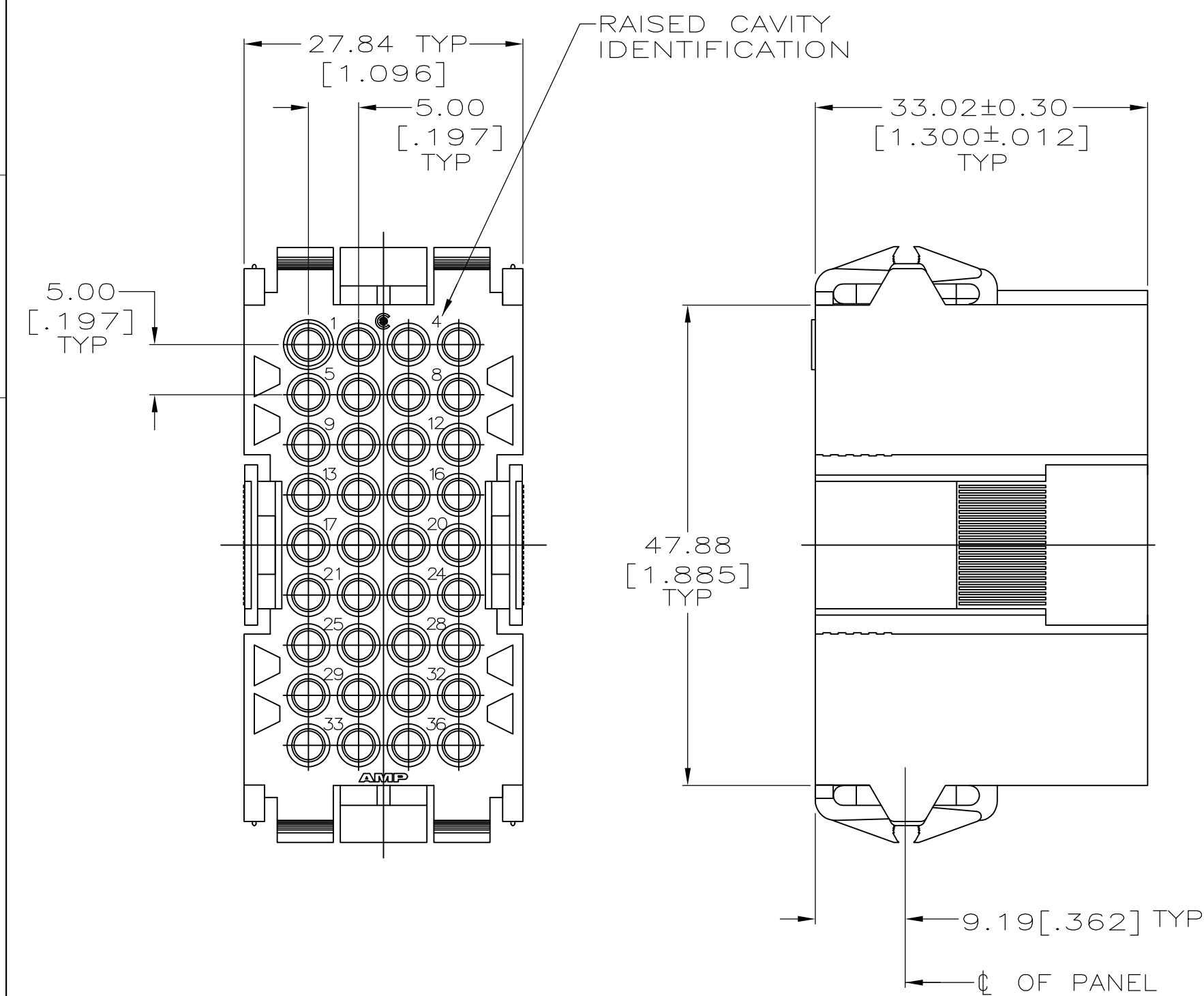


LOC	DIST	P	F	ZONE	LTR	DESCRIPTION	DATE	APPD
FT	13							
					P	REDRAWN & REVISED PER ECN BD6668	08/26/92	-
					R	REV PER EC 0020-250-94	03/24/94	AT
					S	OBSOLETE -2 PER EC 0020-596-96	09 JAN 97	MM
					T	REACTIVATED -2 & REV PER EC 0G1C-25-98	11 MAR 98	MM
					T1	REVISED PER ECO-09-021826	10SEP09	AEG



- PANEL RETENTION MECHANISM ACCOMMODATES PANEL THICKNESSES FROM 0.76[.030] TO 2.29[.090].
- SAME AS 207020-1 EXCEPT: ROUNDED EDGES ON THE OUTSIDE OF THE HOUSING AND A 45° ANGLE ON THE OUTSIDE OF THE HOUSING BY THE LOCKING LATCHES, REF 928097.
- OBSOLETE PARTS: OBSOLETE CIS STREAMLINING PER D.RENAUD/D.SINISI

3 OBSOLETE 2 207020-2
207020-1

DO NOT SCALE PRINT. UNLESS SPECIFIED DIMENSIONS IN mm [INCHES] TOLERANCES ON :		DR 08/26/92 W.LENKER		AMP Incorporated Harrisburg, PA 17105-3608	
2 PLC DEC ± 0.25 [.010] 3 PLC DEC ± - ANGLES ± -		CHK 8-31-92 R.STONE			
MATERIAL NYLON, COLOR: RED		APPD 9-2-92 A.TRAVIS		NAME	
FINISH -		APPD 9-3-92 C.ROHDE		HOUSING, RECEPTACLE, 36 POSITION, METRIMATE	
-		PRODUCT SPEC 108-10033		SIZE	
-		APPLICATION SPEC		CAGE CODE 00779	
-		WEIGHT		DRAWING NO C-207020	
-		-		SCALE 2:1	
-		-		SHEET 1 OF 1	

THIS DRAWING IS A CONTROLLED DOCUMENT FOR AMP INCORPORATED. IT IS SUBJECT TO CHANGE AND THE CONTROLLING ENGINEERING ORGANIZATION SHOULD BE CONTACTED FOR THE LATEST REVISION.