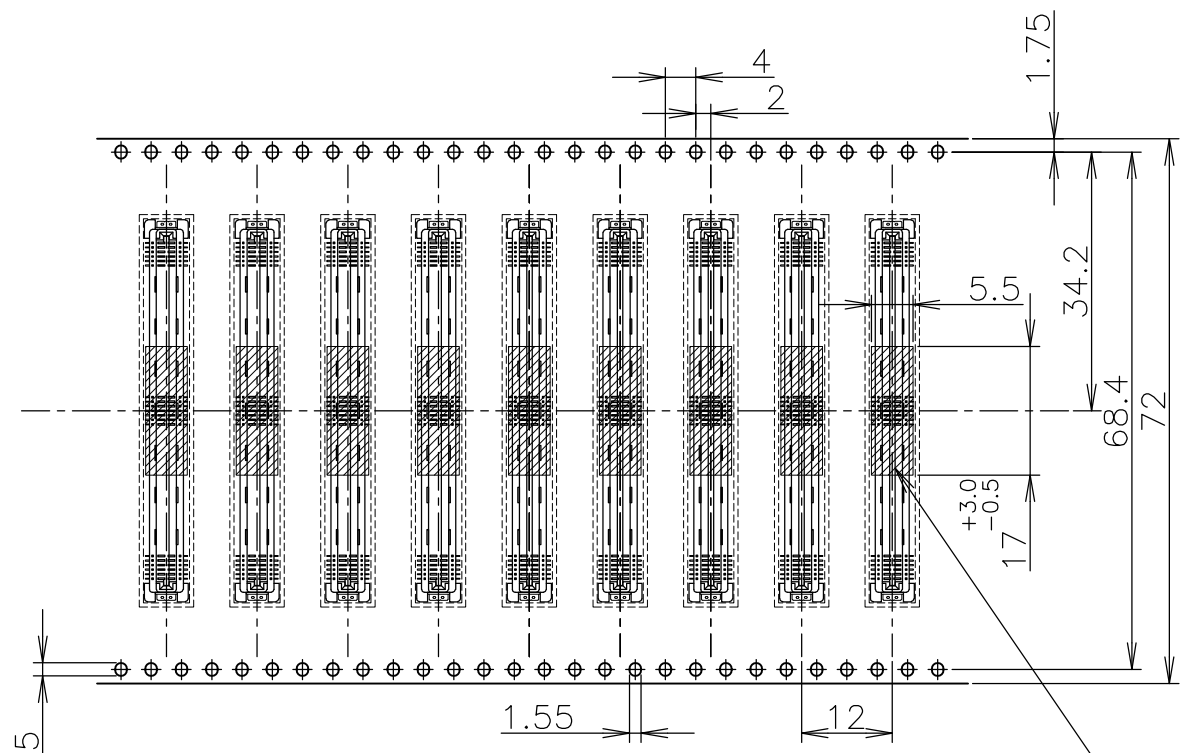
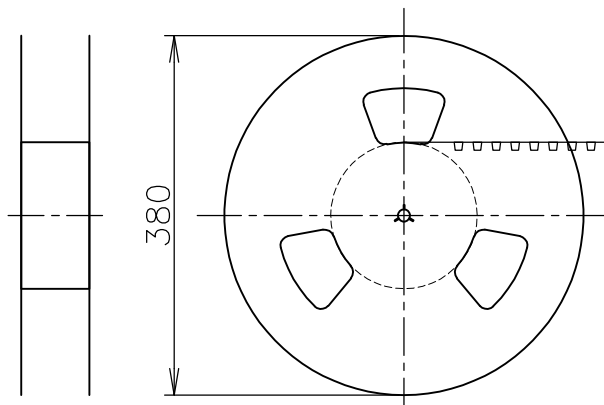


THIS DRAWING IS UNPUBLISHED. RELEASED FOR PUBLICATION SEP ,2004.
 © COPYRIGHT 2004 BY TYCO ELECTRONICS CORPORATION. ALL RIGHTS RESERVED.

LOC	DIST	REVISIONS 変更					
J		P	LTR	DESCRIPTION	DATE	DWN	APVD
			02	REACTIVATE	13MAY10	T.T	K.Y



接着剤付ポリイミドフィルム
1枚 (厚さ=0.05)
ONE SHEET OF POLYIMIDE FILM
WITH ADHESIVE (t = 0.05)



空部 300mm 程度 WITHOUT CHARGE APPROX
 製品装填部 WITH PRODUCT CHARGE
 空部 300mm 程度 WITHOUT CHARGE APPROX

WINDING THE COVER TAPE
AROUND THE OUTER PERIPHERY IN A TURN
カバーテープリーダー部 外周一巻

900	150	6123088-1	6376045-1
QTY PER REEL	極数 POS.	コネクタ型番 CONN.P/N	エンボス型番 EMBOSS P/N

1 材料; エンボステープ: PP 色: 黒
カバーテープ: PET
1 MATERIAL; EMBOSS TAPE: PP COLOR: BLACK
COVER TAPE: PET

GENERAL TOLERANCE
一般公差

10 ≥	±0.2
30 ≥ > 10	±0.25
100 ≥ > 30	±0.3
ANGLES	±3°

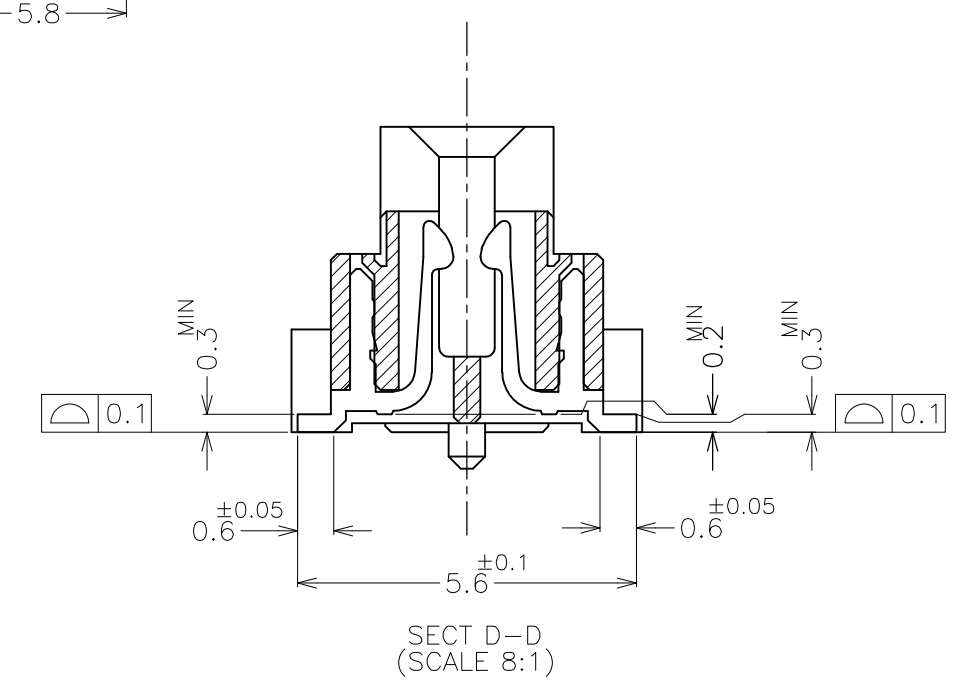
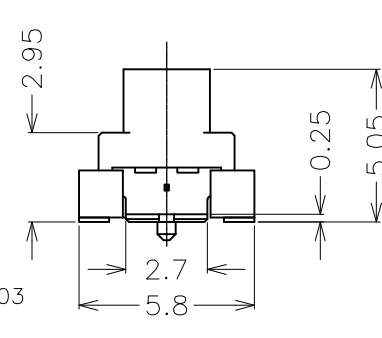
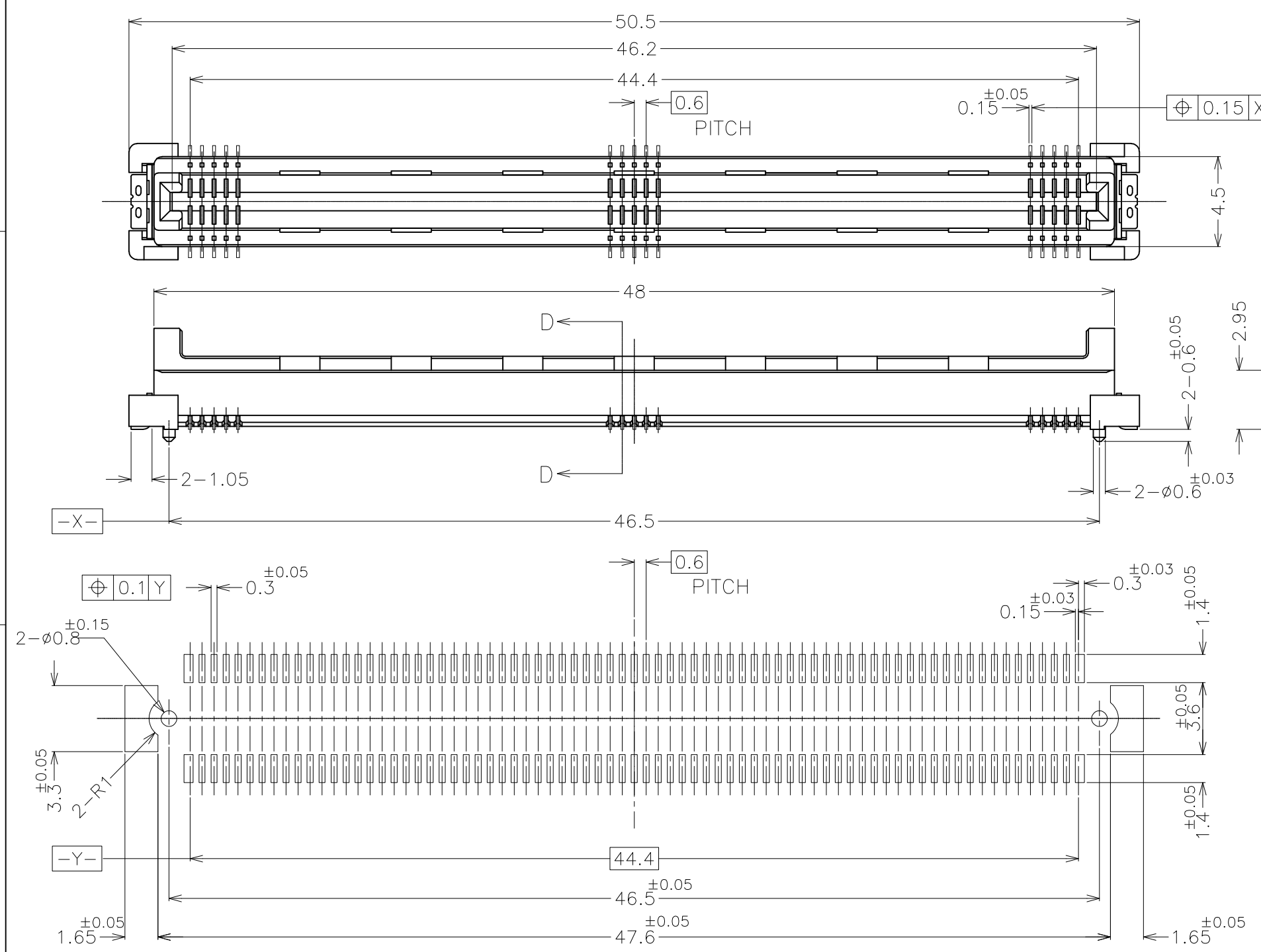
THIS DRAWING IS A CONTROLLED DOCUMENT.

DIMENSIONS: 単位: 耗 MM	TOLERANCES UNLESS OTHERWISE SPECIFIED: 一般公差	DWN K.YAMAGUCHI 17SEP04	Tyco Electronics Tyco Electronics AMP K.K. Kawasaki.Japan													
	<table border="1"> <tr> <td>0 PLC</td> <td>±</td> </tr> <tr> <td>1 PLC</td> <td>±</td> </tr> <tr> <td>2 PLC</td> <td>±</td> </tr> <tr> <td>3 PLC</td> <td>±</td> </tr> <tr> <td>4 PLC</td> <td>±</td> </tr> <tr> <td>ANGLES</td> <td>±</td> </tr> </table>	0 PLC	±	1 PLC	±	2 PLC	±	3 PLC	±	4 PLC	±	ANGLES	±	CHK S.WATANABE 17SEP04	NAME 名称 0.6mm PITCH CARD EDGE CONNECTOR	
		0 PLC	±													
1 PLC	±															
2 PLC	±															
3 PLC	±															
4 PLC	±															
ANGLES	±															
MATERIAL 材料 SEE NOTE	FINISH 仕上	APVD H.MURAMATSU 17SEP04	PRODUCT SPEC 製品規格 108-78191													
		APPLICATION SPEC 取付適用規格	ON TAPING (EMBOSS)													
		WEIGHT	SIZE A3	RESTRICTED TO												
		CUSTOMER DRAWING	CAGE CODE 00779	DRAWING NO 番号 G-6376045												
			SCALE 尺度 NTS	SHEET 1 OF 2												
				REV 02												

THIS DRAWING IS UNPUBLISHED. RELEASED FOR PUBLICATION SEP, 2004.
 © COPYRIGHT 2004 BY TYCO ELECTRONICS CORPORATION. ALL RIGHTS RESERVED.

LOC	DIST	REVISIONS					
J		P	LTR	DESCRIPTION	DATE	DWN	APVD

6123088-1:AS SHOWN(REFERENCE)



推奨基板取り付け寸法
 RECOMMENDED P.C.BOARD LAYOUT

GENERAL TOLERANCE
 一般公差

10 ≥	±0.2
30 ≥ > 10	±0.25
100 ≥ > 30	±0.3
ANGLES: ±3°	

THIS DRAWING IS A CONTROLLED DOCUMENT.		DWN	Tyco Electronics		Tyco Electronics AMP K.K.	
DIMENSIONS: 単位: 耗 MM		CHK	Tyco Electronics		Kawasaki.Japan	
TOLERANCES UNLESS OTHERWISE SPECIFIED: 一般公差		APVD	NAME 名称		0.6mm PITCH CARD EDGE CONNECTOR	
0 PLC ±		PRODUCT SPEC 製品規格	ON TAPING (EMBOSS)		RESTRICTED TO	
1 PLC ±		APPLICATION SPEC 取付適用規格	SIZE	CAGE CODE	DRAWING NO 番号	
2 PLC ±		WEIGHT	A3	00779	G-6376045	
3 PLC ±			CUSTOMER DRAWING		SCALE 尺度	4:1
4 PLC ±					SHEET	2 OF 2
ANGLES ±					REV	02
FINISH 仕上						
MATERIAL 材料						