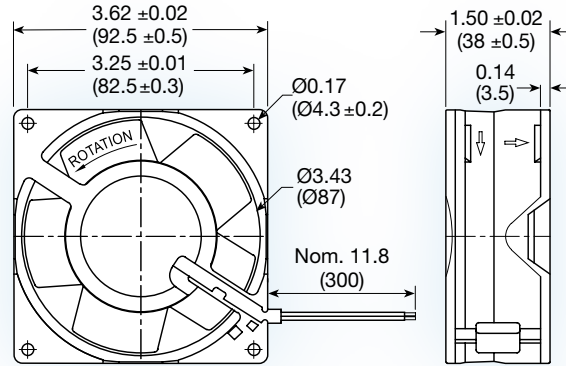
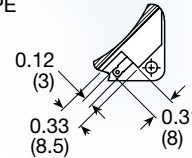
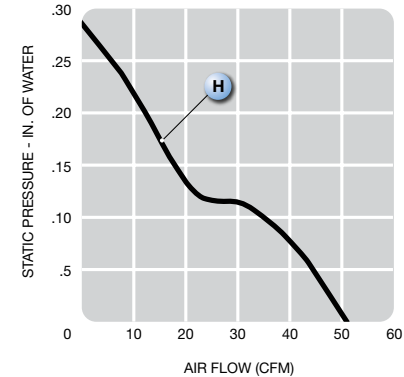


UF92AM series



LEAD WIRE TYPE



TERMINAL TYPE

(92 x 92 x 38 mm)

3.62 x 3.62 x 1.5 inches

Features: high temp; -40°C ~ 90°C
operating temperature range

Operating voltage: 115 or 230 VAC

Construction: aluminum die cast frame;
metal impeller

Bearing option: ball bearing with high temp
lubricant

Motor: shaded pole - Class F insulation

Air Flow: exhaust over struts

Connection: terminal or 22 AWG lead wire

Protection: impedance

Model No.	Rated Voltage V	Freq. HZ	Input Power W	Rated Cur. A	Locked Cur. A	Speed RPM	Air Volume		Max. Static Pressure (H ₂ O)		Sound Noise dBa	Weight kg
							M ³ /Min.	CFM	MM	INCH		
UF92AM12-__H	115	60	11	0.12	0.17	3,200	1.45	51	7.5	0.30	42	0.43
UF92AM23-__H	230	60	11	0.06	0.08	3,200	1.45	51	7.5	0.30	42	0.43

