

5

4

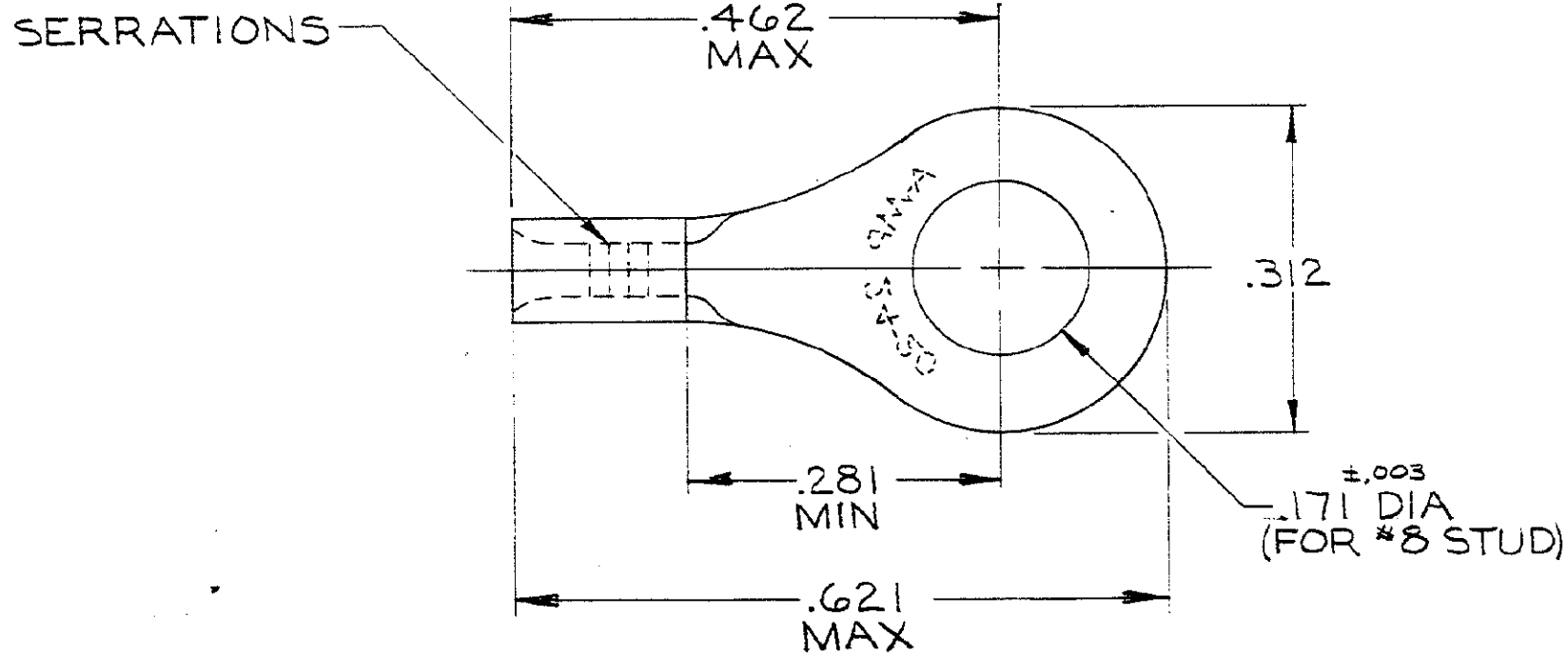
2

1

NUMBER 323987

©1956 BY AMP INCORPORATED. ALL RIGHTS RESERVED. AMP PRODUCTS COVERED BY PATENTS AND/OR PATENTS PENDING.

REVISIONS				
ZONE	LTR	DESCRIPTION	DATE	APPROVED



NOTE:
1. TIN PL (MIL-T-10727)

UNLESS OTHERWISE SPECIFIED DIM. ARE IN INCHES. TOLERANCES ON: DECIMALS ±.008 ANGLES ± 5°		CONTRACT NO. <u> H </u>	AMP AMP INCORPORATED HARRISBURG, PENNSYLVANIA
MATERIAL COPPER (QQ-C-576) .023 ±.002 THK		DR <u>F.C. Young</u> 9-28-67 CHK <u>R. Wolfe</u> 9-28-67	
HEAT TREAT ANNEALED		APPD <u>Lwabel</u> 9-29-67	SIZE B CODE IDENT NO. 00779 NUMBER 323987
LOC G1410	PRINT/DIST G1410	OTHER APPD	SCALE 6:1 WT CALC ACTUAL SHEET 1 OF 1

4

2

1