

PRODUCT NUMBER
20020705-XXXXXXLF

20020705- [] [] [] [] [] [] [] L F

PITCH
J: 6.35 mm
M: 7.62 mm
S: 9.52 mm

POLES
02: 2 POLES
03: 3 POLES

LF : DENOTED RoHS COMPATIBLE

1 : STANDARD PRODUCT
W/ BOX PACKING

SCREW CODE

PROPERTY TABLE					
FCI SERIES NAME		12-635	12-762	12-952	
PITCH (mm)		6.35	7.62	9.52	
VOLTAGE RATING (VAC)		300	300	300	
CURRENT RATING (A)		30	30	30	
APPLICABLE WIRE RANGE (AWG)		10~24	10~24	10~24	
WIRE CROSS SECTION (mm ²)	SOLID	1-WIRE	6.0	6.0	6.0
		2-WIRE	1.5	1.5	1.5
	STRANDED	1-WIRE	4.0	4.0	4.0
		2-WIRE	1.5	1.5	1.5
OPENING CONTACT HOUSING(mm ²)		3.4x3.5	3.4x3.5	3.4x3.5	
WIRE STRIP LENGTH(mm)		6~7	6~7	6~7	
TORQUE +/-10% (N-M/Lb-in)		0.8/6.9	0.8/6.9	0.8/6.9	
SCREW		M3.5x0.5	M3.5x0.5	M3.5x0.5	
WITHSTANDING VOLTAGE (kV)		1.6	1.6	1.6	
OPERATING TEMP. (°C)		-40~+115	-40~+115	-40~+115	
SOLDERING TEMP. (°C)		250±10 (5 sec.)	250±10 (5 sec.)	250±10 (5 sec.)	
POLES AVAILABLE		02~03	02~03	02~03	
SAFETY CERTIFICATE					

HOUSING CODE

CODE	COLOR	AVAILABILITY
1	GREEN(RAL 6018/T)	STANDARD
2	BLACK	ON REQUEST ONLY
3	GREY(RAL 7004/P)	ON REQUEST ONLY
4	BLUE(RAL 5015/A)	ON REQUEST ONLY

CODE	SCREW TYPE	AVAILABILITY
A	-/+	ON REQUEST ONLY
B	-	STANDARD

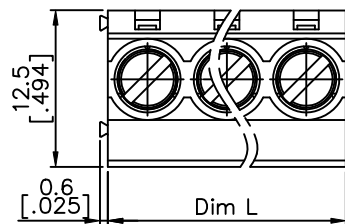
NOTES:

1. MATERIALS
1-1 HOUSING: THERMALPLASTIC RESIN, UL 94V-0 RATED,
1-2 SCREW: STEEL, ZINC PLATED.
1-3 CLAMP: COPPER ALLOY, NICKEL PLATED.
1-4 TERMINAL: COPPER ALLOY, TIN PLATED.
2. PRODUCT SPECIFICATION REFER TO FCI GS-12-625.
3. PRODUCT PACKING SPECIFICATION REFER TO FCI GS-14-1394.
4. FCI, SAFETY CERTIFICATE LOGO AND SERIES NAME TO BE SHOWN ON PRODUCT SURFACE.
5. THE PRODUCTS WHERE THE PART NUMBER END IN "LF" MEET THE EUROPEAN UNION DIRECTIVE AND OTHER COUNTRY REGULATIONS AS DESCRIBED IN GS-22-008.
6. RECOMMENDED SOLDERING PROCESS BY WAVE SOLDER.

mat'l. code				surface ASME Y14.5 ✓ / tolerance ASME Y14.5		projection		product family	
ltr	ecn no	dr	date	tolerances unless otherwise specified				TERMINAL BLOCK	
D	T10-0029	JH	012710	angles	X.±0.5	MM		title	
E	T10-0042	WL	030310	to line	X.X±0.3	[INCH]		TERMINAL BLOCK	
F	T10-0143	WL	090610	X'±1"	X.XX±0.1	scale		FIXED POWER PLUG, HORIZONTAL WIRE INLET	
G	T10-0161	WL	101210	dr	BEER FU	062509		dwg no	
H	T11-0001	WL	011111	enr	BEER FU	062509		sheet 1 of 4 size	
J	T-004746	WL	072211	chr	GARY HSIEH	062509		20020705 A4	
K	T-006066	WL	091911	appd	JOSEPH HSIA	062509		type	
sheet index		revision	K	K	K	K		CUSTOMER Drawing	
		sheet	1	2	3	4			

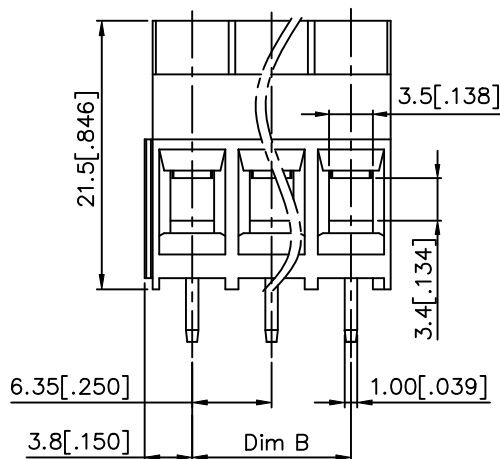
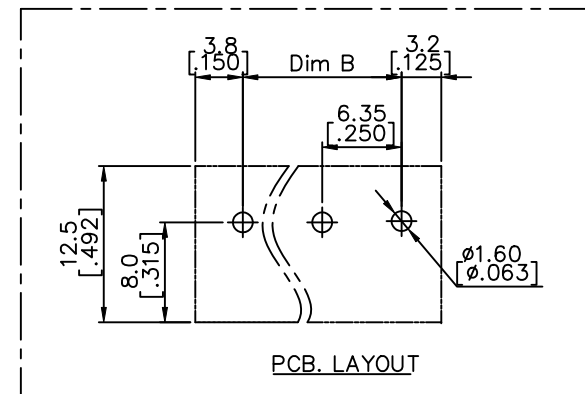
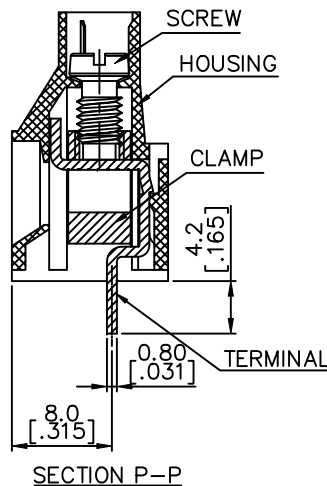
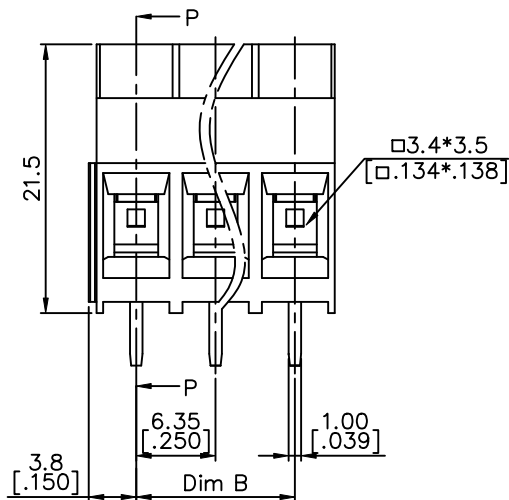


PRODUCT NUMBER	SERIES NAME	PITCH
20020705-JXXXXXXLF	12-635	6.35 mm



N = Number of poles
 Dim L=Nx6.35[.250]
 Dim B=(N-1)x6.35[.250]

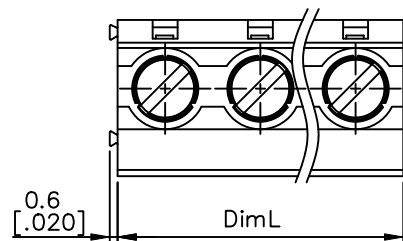
Poles	Tolerance
2-3p	±0.15[.006]



mat'l. code		surface ASME Y14.5	tolerance ASME Y14.5	projection 	product family TERMINAL BLOCK
ltr	ecn no	dr	date	title	
K				TERMINAL BLOCK FIXED POWER PLUG, HORIZONTAL WIRE INLET	
			angles X°±1'	scale MM INCH	dwg no 20020705
		dr	WENDY CHEN 090610		sheet 2 of 4 size A4
		enr	JASON HSU 090610		CUSTOMER Drawing
		chr	GARY HSIEH 090610		
		appd	JOSEPH HSIA 090610		
sheet index	revision sheet				

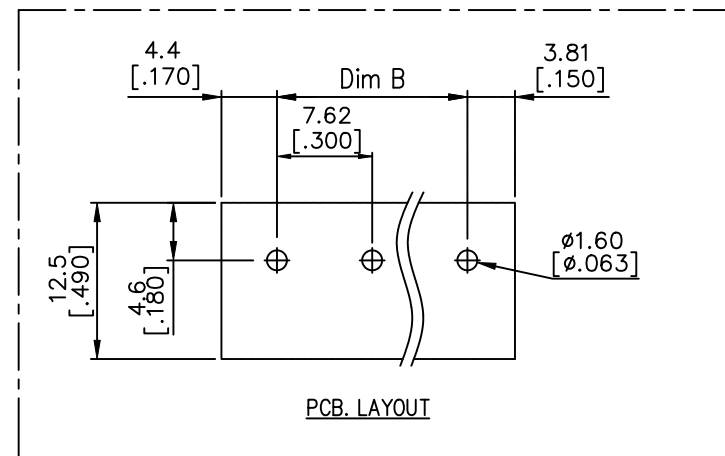
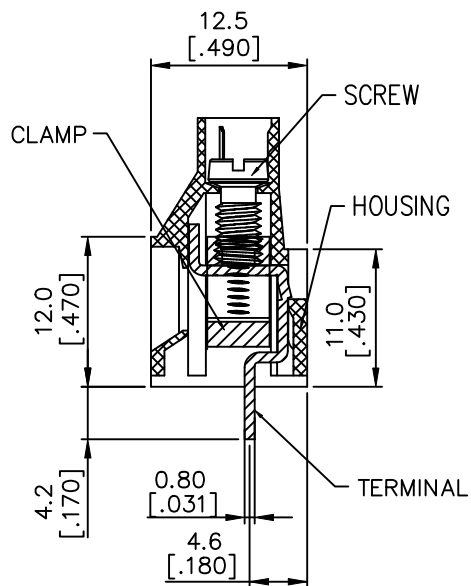
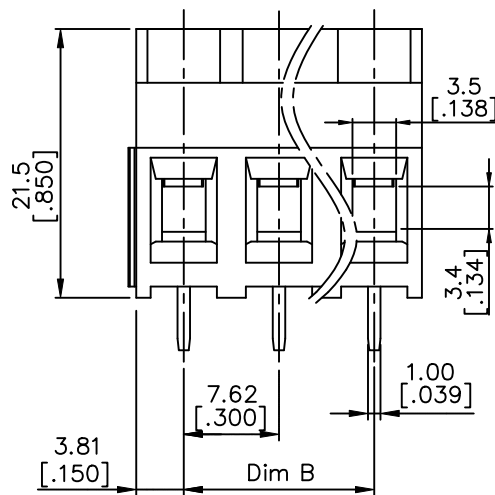


PRODUCT NUMBER	SERIES NAME	PITCH
20020705-MXXXXXLF	12-762	7.62 mm



N = Number of poles
 Dim L = $N \times 7.62 [.300]$
 Dim B = $(N - 1) \times 7.62 [.300]$

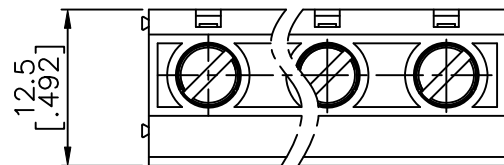
Poles	Tolerance
2-3p	$\pm 0.15 [.006]$



mat'l. code		surface ASME Y14.5	tolerance ASME Y14.5	projection 	product family TERMINAL BLOCK
ltr	ecn no	dr	date	title	
tolerances unless otherwise specified				 scale	TERMINAL BLOCK FIXED POWER PLUG, HORIZONTAL WIRE INLET
angles		$X \pm 0.5 [.020]$ $X.X \pm 0.3 [.012]$ $X.XX \pm 0.1 [.004]$			
X° ± 1'					
dr		BEER FU	062509	dwg no	
enr		BEER FU	062509	sheet 3 of 4 size	
chr		GARY HSIEH	062509	20020705	
appd		JOSEPH HSIA	062509	A4	
sheet index		revision sheet		type CUSTOMER Drawing	



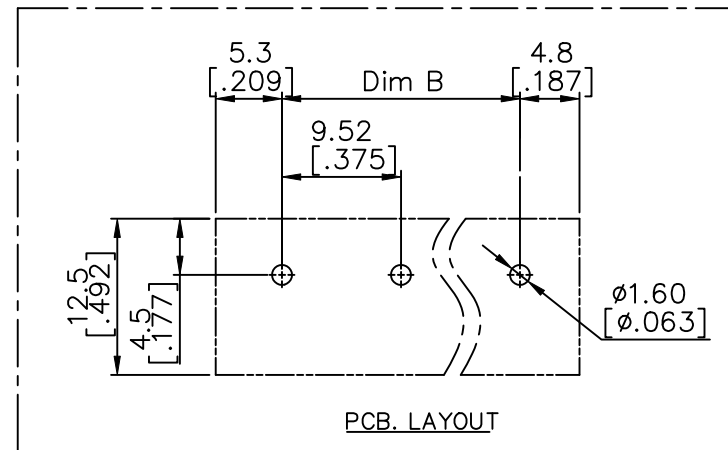
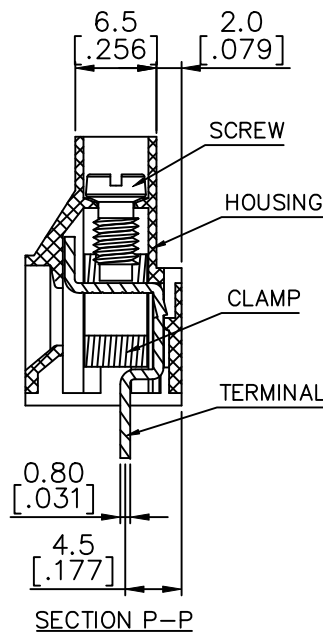
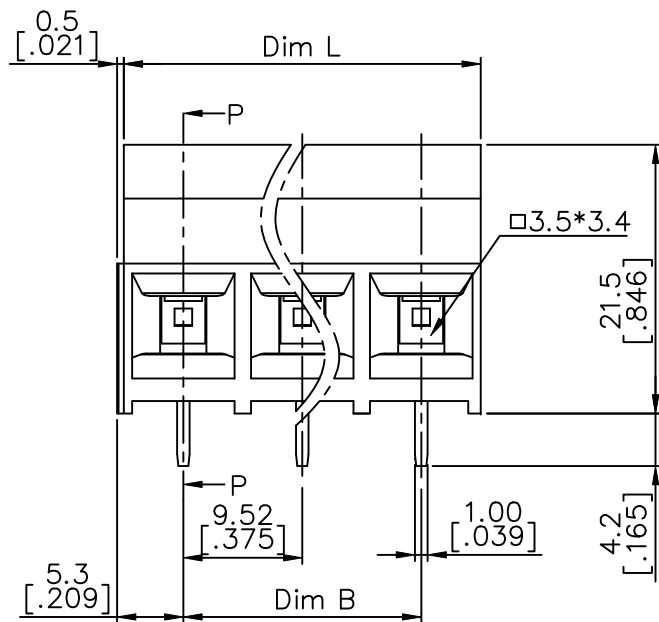
PRODUCT NUMBER	SERIES NAME	PITCH
20020705-SXXXXXLF	12-952	9.52 mm



N=Number of poles

Dim L	N*9.52 [.375]
Dim B	(N-1)*9.52 [.375]

Poles	Tolerance
2p-3p	±0.15 [.006]



mat'l. code	surface ASME Y14.5	tolerance ASME Y14.5	projection 	product family TERMINAL BLOCK
ltr	ecn no	dr	date	title
tolerances unless otherwise specified				 scale MM INCH
K	angles	linear	X.±0.5 [.020]	
	X°±1'	XX	X.X±0.3 [.012]	
			X.XX±0.1 [.004]	TERMINAL BLOCK FIXED POWER PLUG, HORIZONTAL WIRE INLET
	dr	BEER FU	062509	dwg no
	enr	BEER FU	062509	sheet 4 of 4 size
	chr	GARY HSIEH	062509	20020705
	appd	JOSEPH HSIA	062509	A4
sheet index	revision sheet			type CUSTOMER Drawing