

4

3

2

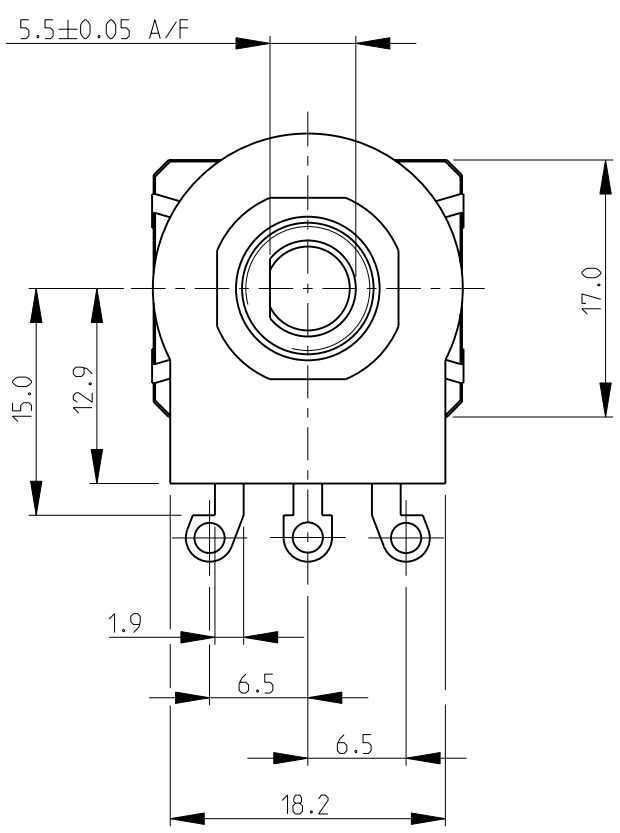
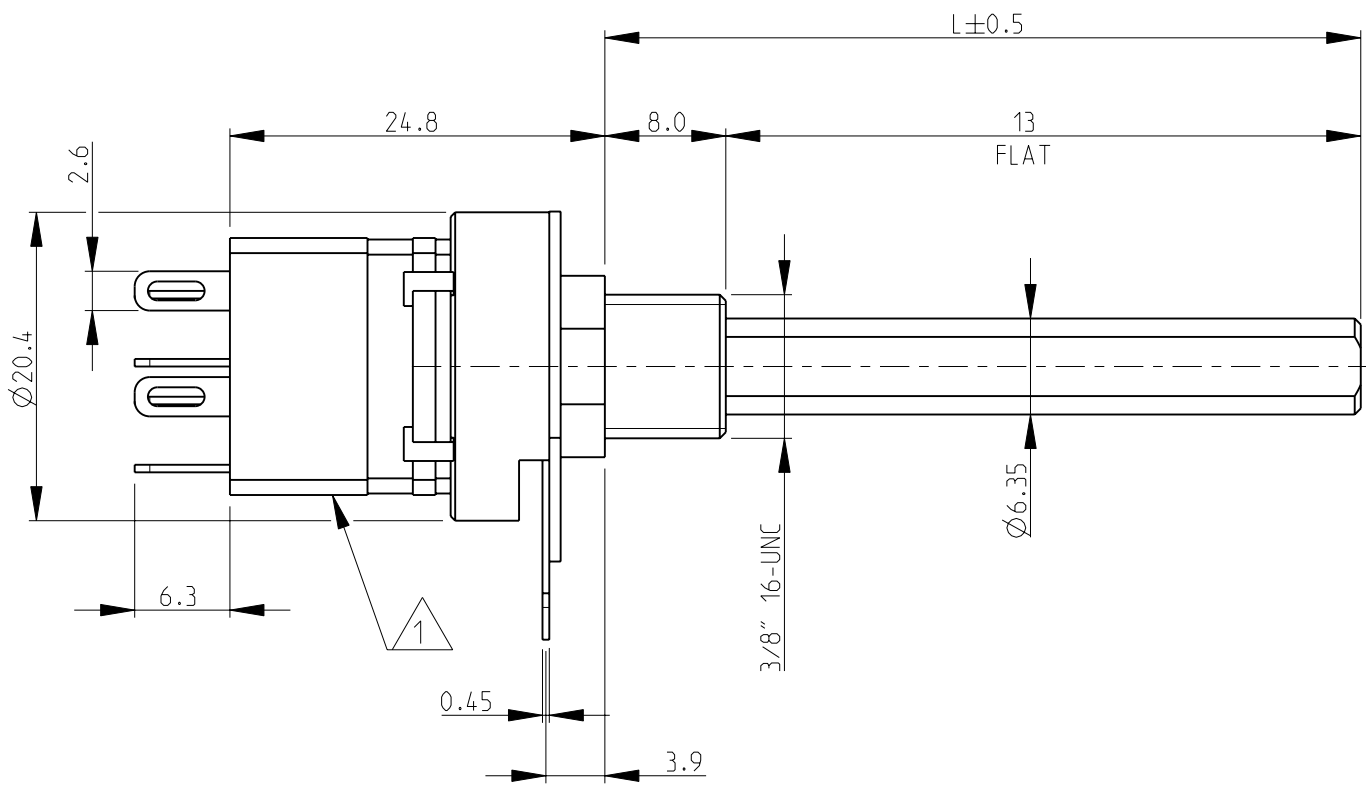
1

THIS DRAWING IS UNPUBLISHED. RELEASED FOR PUBLICATION 2008

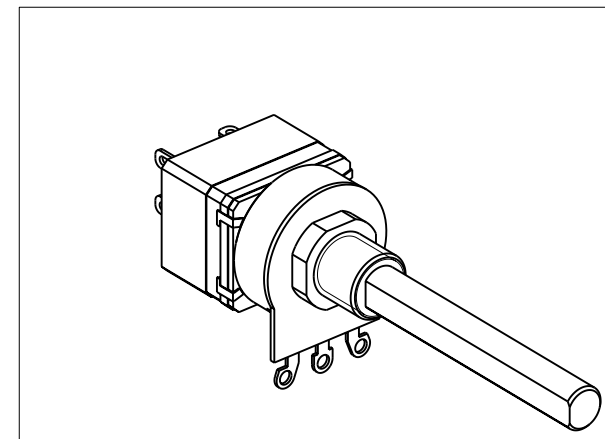
© COPYRIGHT 2008 BY TYCO ELECTRONICS CORPORATION. ALL RIGHTS RESERVED.

LOC	DIST	REVISIONS			
P	LTR	DESCRIPTION	DATE	DWN	APVD
E	B	BA	NEW RELEASE	30-Jul-08	SM St.P

- 1 SWITCH TYPE: DPST (4A)
- 2 AVAILABLE IN DIFFERENT SHAFT LENGTHS (L) SEE DATA SHEET
- 3 FOR FURTHER INFORMATION SEE DATA SHEET FOR 23 SERIES-SPINDLE OPERATED POTENTIOMETER



RoHS Compliant



SCALE 1:1

<small>THIS DRAWING IS A CONTROLLED DOCUMENT FOR TYCO ELECTRONICS CORPORATION IT IS SUBJECT TO CHANGE AND THE CONTROLLING ENGINEERING ORGANIZATION SHOULD BE CONTACTED FOR THE LATEST REVISION.</small>		DWN SUBHASH.M 30-Jul-08 CHK PRAKASH.S 30-Jul-08 APVD STEPHEN.P 30-Jul-08	<b>Tyco Electronics</b> Tyco Electronics Corporation Dorcan, Swindon, SN3 5HH		
DIMENSIONS: mm	TOLERANCES UNLESS OTHERWISE SPECIFIED: 0 PLC ±0.5 1 PLC ±0.2 2 PLC ±0.1 3 PLC ±- 4 PLC ±- ANGLES ±5°	PRODUCT SPEC - APPLICATION SPEC - WEIGHT -	NAME SPINDLE OPERATED POTENTIOMETER SERIES 23SE		
MATERIAL -	FINISH -	SIZE A3 CAGE CODE 00779 DRAWING NO C-1624206	RESTRICTED TO -		
CUSTOMER DRAWING		SCALE 2:1	SHEET 1 OF 1	REV BA	