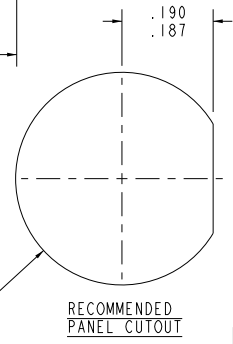
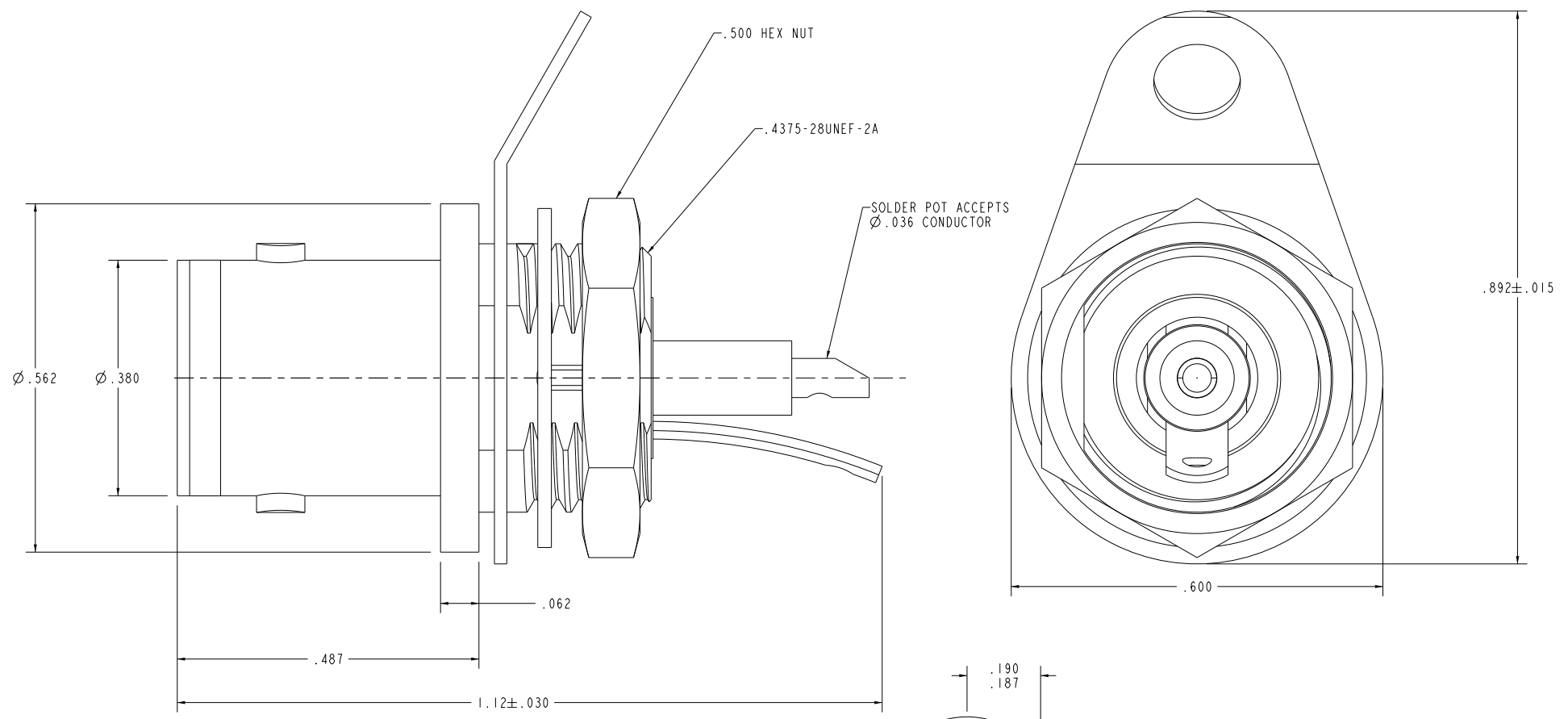


DATA CONTAINED IN THIS DOCUMENT IS PROPRIETARY TO EMERSON CONNECTIVITY SOLUTIONS AND SHALL NOT BE DISCLOSED, COPIED OR USED FOR PROMOTION OR MANUFACTURE WITHOUT EXPRESS WRITTEN PERMISSION

REVISIONS			
REV	DESCRIPTIONS	DATE	APPROVED
K	ECO 52831	12/20/10	T.KOHLER



3. MAX PANEL THK .125
2. SOCKET CONTACT CONCENTRIC TWINAX/ TRIAX 2-LUG TRB SOLDER POT BULKHEAD MOUNT RECEPTACLE
1. FINISH: TFS-1A (NICKEL)

NOTES: UNLESS OTHERWISE SPECIFIED.

I INTERPRET DRAWING PER MIL-STD-100. DIMENSIONS ARE IN INCHES AND INCLUDE FINISH THICKNESS UNLESS OTHERWISE SPECIFIED.		TOL: UNLESS SPECIFIED. .XX ± .XXX ± .005 .XXXX ± ANGLE ± CRITICAL	
DRN J. CRAWFORD 1/29/11	MATERIAL:		
CRK C. WALLACE 2/7/11	FINISH:		
QUALITY MANUF	APPROVED		
SURFACE AREA	PROJ FILE NO. 305-0508	DO NOT SCALE DWG	SCALE 8/1
TITLE: BJ77TL		SIZE CAGE CODE C 14949	DRAWING NO. 305-0508
DATE 10/10/83		SHEET 1 OF 2	REV. K

