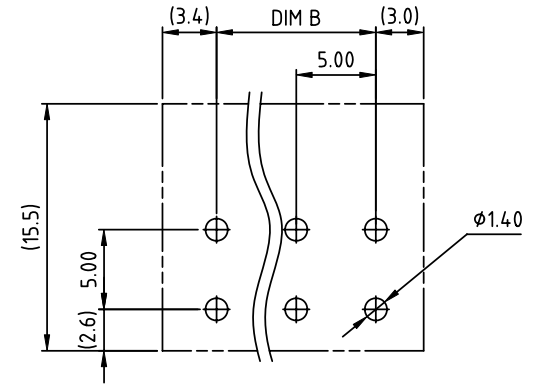
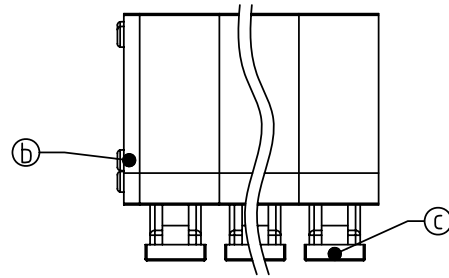


PRODUCT NUMBER	PITCH
HXxx01x000J0G	5.00 mm



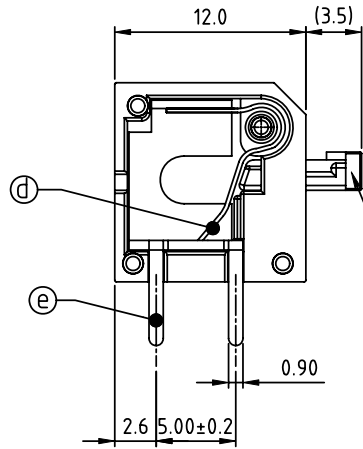
RECOMMENDED P.C.B LAYOUT
TOP VIEW

Material:

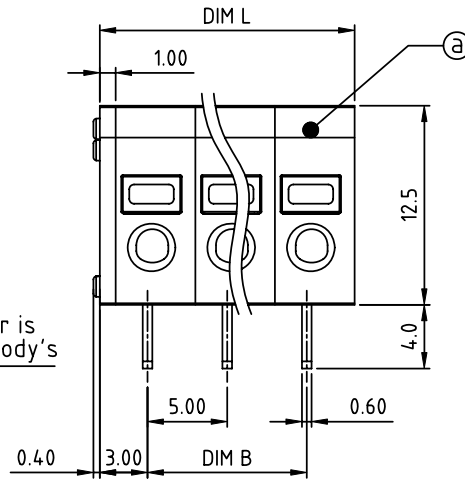
- Item (a) Insulating body: Thermoplastic (UL94V-0)
- Item (d) Insulating cover: Thermoplastic (UL94V-0)
- Item (c) Insulating lever: Thermoplastic (UL94V-0)
- Item (e) Solder pin: Brass, Tin plated
- Item (b) Spring clamp: Stainless steel

Electrical cULus

- Voltage rating: 300V
- Current rating: 8A
- Wire range:
- Solid wire (AWG): 16-26
- Stranded wire (AWG): 16-26
- Wire strip length: 6-7mm
- Withstanding Voltage: 1.6KV
- Operating temperature: -40°C to +115°C
- Soldering temperature: 260°C ± 5°C / 5 Sec
- Safety Approval:



The color of lever is consistent with body's



N=Number of poles
Dim L=(N-1)×5.0+6.0
Dim B=(N-1)×5.0

Poles	Tolerance
1-4p	±0.15
5-9p	±0.20
10-14p	±0.30
15-19p	±0.40
20-24p	±0.50

PART NO.: HX xx 01 x 0 00J0 G

	End stackable	No. of poles	Color	RoHS compliant
0	0	2	Black (RAL9005)	(lead<4%) In copper Alloy
01	1 poles	3	Red (RAL3001/D)	
02	2 poles	4	Orange (RAL2011/P)	
...	...	5	Yellow (RAL1018/A)	
24	24 poles	6	Green (RAL6018/T)	
		8	Blue (RAL5015/A)	
		9	Grey (RAL7004/P)	
		9	White (RAL1102)	
		C	Multiple colors	

mat'l. code		surface ASME Y14.5 ✓	tolerance ASME Y14.5	projection 	product family TERMINAL BLOCK
ltr	ecn no	dr	date	MM	title TERMINAL BLOCK SPRING CLAMP, 180D WIRE INLET
tolerances unless otherwise specified					
angles		0°	X.±0.5	scale	dwg no HXxx01x000J0G
0°		X.X±0.3	X.XX±0.1		
X*±1°					sheet 1 of 1 size A4
dr	ENGR	EVIN ZHONG	052614		type CUSTOMER Drawing
enr		EVIN ZHONG	052614		
chr		HANKE FENG	052614		
appd		SHI JUN	052614		
sheet index	revision	A			
	sheet	1			