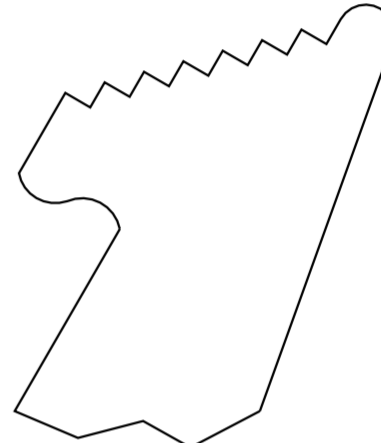
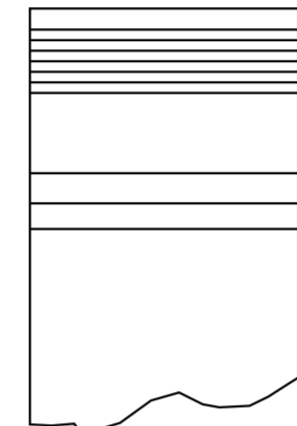
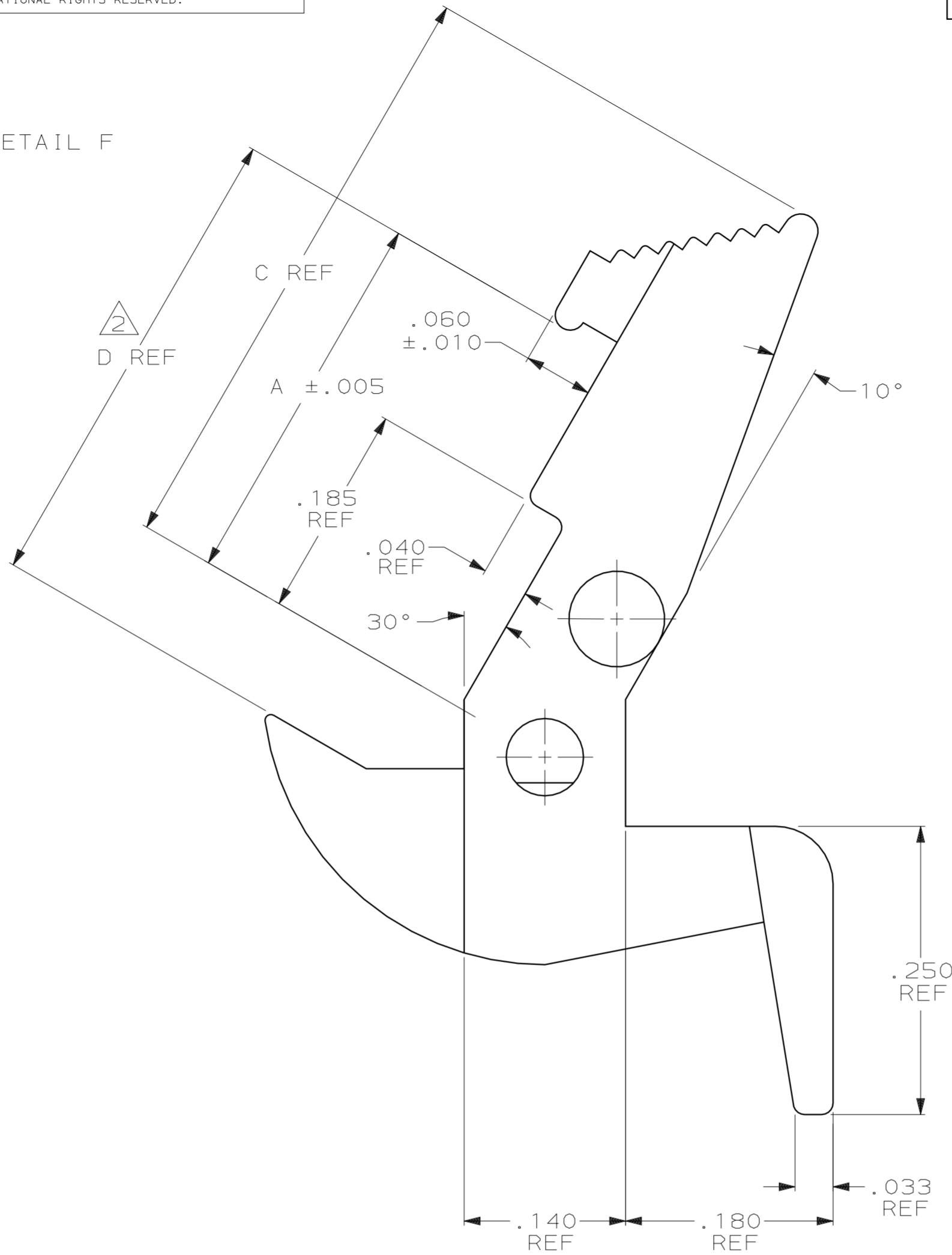
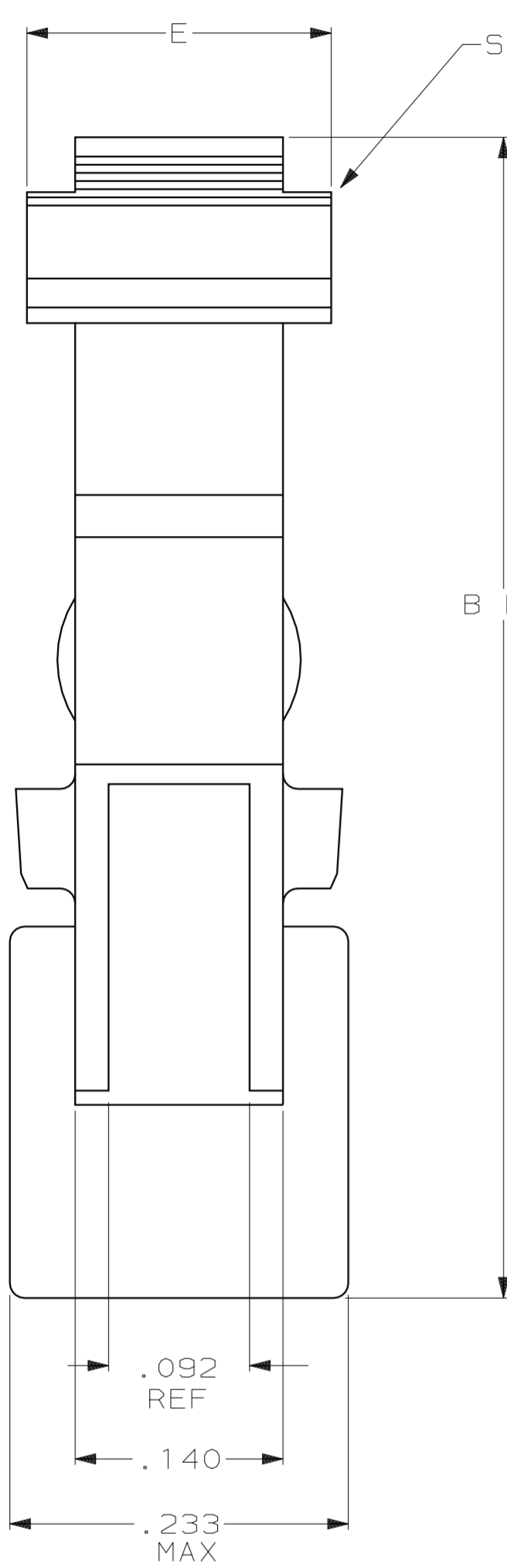


LOC	DIST	P	F	REVISIONS			DATE	APPD
GP	00			ZONE	LTR	DESCRIPTION		
				E1		REVISED PER ECO 05-016508	01MAR06	JG



DETAIL F  
(FOR -2 ONLY)  
①

.140	.474	.572	.840	.388	① 102185-2
.205	.416	.519	.785	.330	102185-1
E	D	C	B	A	PART NUMBER

① TO BE USED WITH AMP-LATCH™ CONNECTOR WITH STANDARD COVER.  
 ② MATING RECEPTACLE HEIGHT.

DO NOT SCALE PRINT. UNLESS SPECIFIED DIMENSIONS IN INCHES TOLERANCES ON : 2 PLC DEC ± - 3 PLC DEC ± .005 ANGLES ± -	DR 07/25/90 K.L.CLOUSER/UTA	<b>AMP</b> AMP Incorporated Harrisburg, PA 17105-3608	
	CHK - APPD - APPD -		
MATERIAL FLAME RETARDANT PBT, UL94V-0 RATED, COLOR BLACK	APPD - PRODUCT SPEC -	SIZE C 00779	DRAWING NO 102185
FINISH -	APPLICATION SPEC -	SCALE 10:1	SHEET 1 OF 1
	WEIGHT -		