
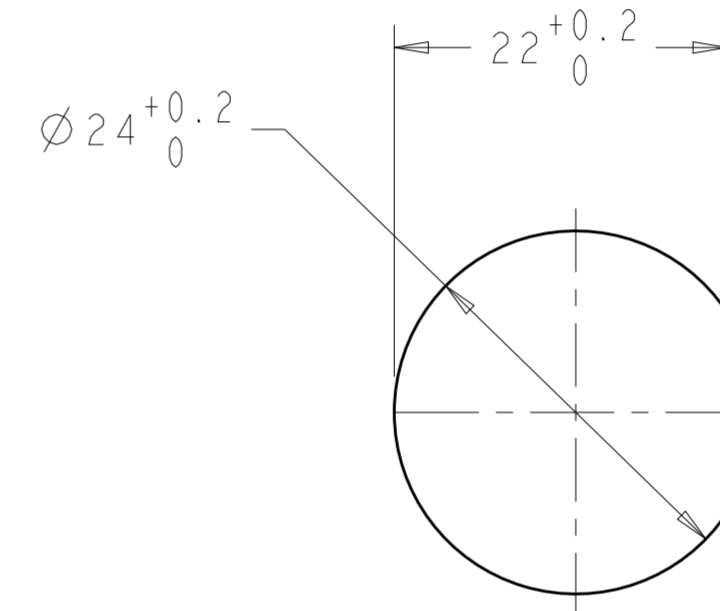
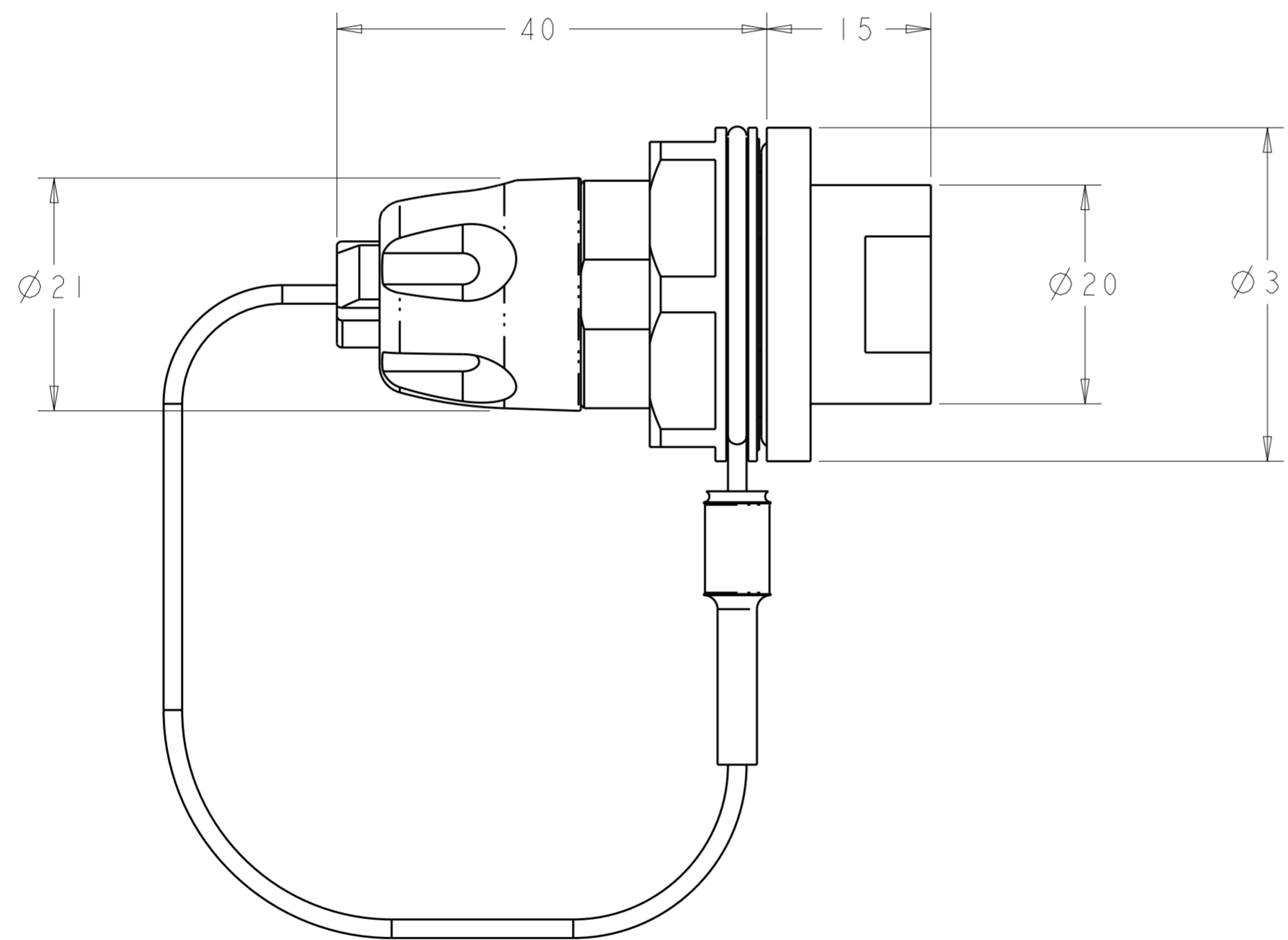


THIS DRAWING IS UNPUBLISHED. RELEASED FOR PUBLICATION 20
 © COPYRIGHT 20 BY - ALL RIGHTS RESERVED.

REVISIONS				
P	LTR	DESCRIPTION	DATE	APVD
	A2	ECR-15-009282	30JUL2015	KG DW

- ASSEMBLY SHOWN FOR REFERENCE ONLY. SHIPPED LOOSE PIECE AS SHOWN ON PAGE 2.
- ALL ASSEMBLY DIMENSION ARE FOR REFERENCE ONLY.
- COMPLETE THE CONNECTOR ASSEMBLY BY ADDING EACH OF THE FOLLOWING PRO BEAM MINI KITS:
 - EXPANDED BEAM INSERT ASSEMBLY KIT
 - FERRULE KIT, ONE PER FIBER
-  PANEL SHOULD BE BETWEEN 1mm AND 6mm THICKNESS.
- THIS PRODUCT HAS NOT COMPLETED VALIDATION TESTING.



 RECOMMENDED PANEL CUT-OUT

SUPERSEDED BY:
1828699-4

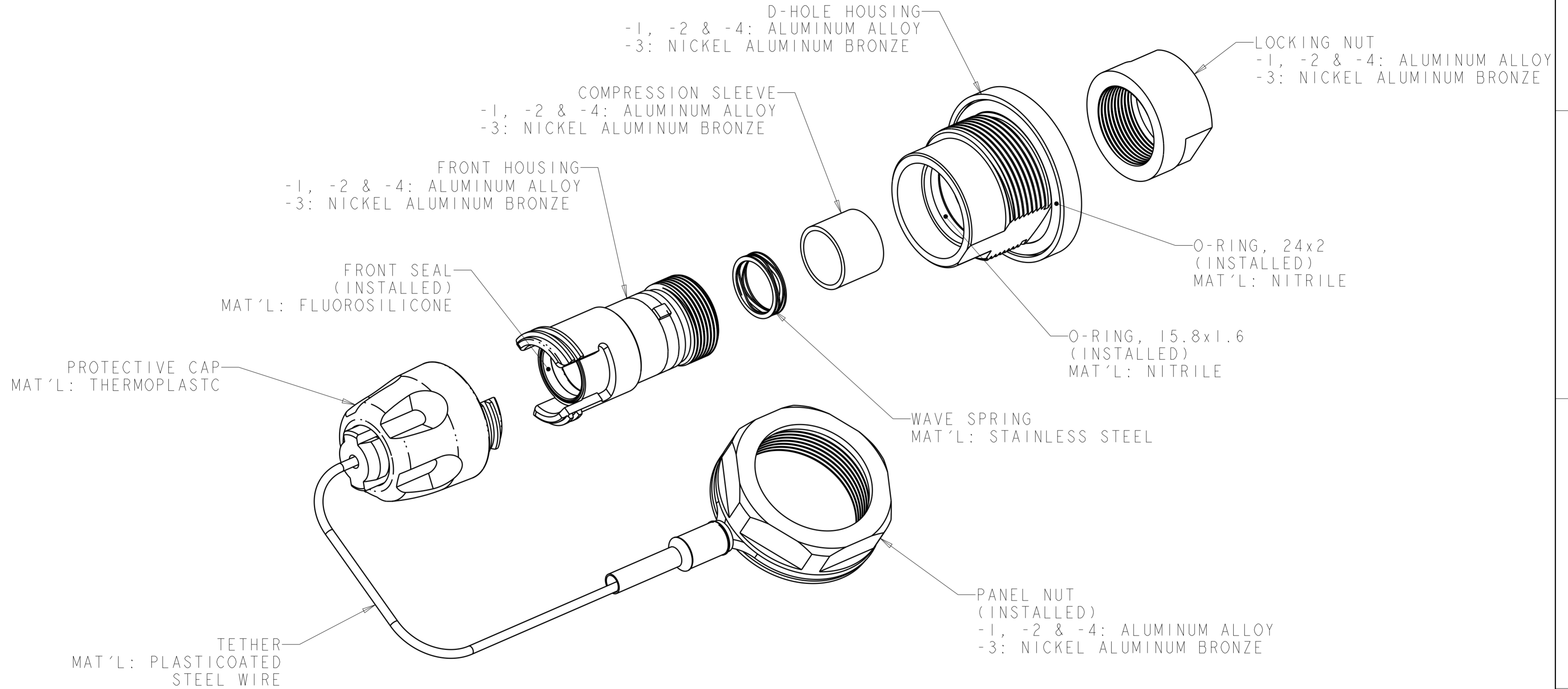
BLACK ZINC-NICKEL	ALUMINUM	1838699-4
NONE	NICKEL ALUMINUM BRONZE	1828699-3
OLIVE DRAB ZINC	ALUMINUM	1828699-2
HARD ANODIZE	ALUMINUM	1828699-1
HOUSING FINISH	HOUSING ALLOY	PART NUMBER

DIMENSIONS:		TOLERANCES UNLESS OTHERWISE SPECIFIED:		DWN		CHK		APVD		NAME	
mm	0 PLC	±		20 JUN 2005	K. GLATFELTER	24 JUN 2005	D. WERTMAN	24 JUN 2005	D. WERTMAN	CONNECTOR SHELL KIT, D-HOLE BULKHEAD, PRO BEAM MINI	
	1 PLC	±								-	
	2 PLC	±								-	
	3 PLC	±								-	
	4 PLC	±								-	
	ANGLES	±								-	
	FINISH									-	
MATERIAL	-	-								SIZE	CAGE CODE
	-	-								A2	00779
										DRAWING NO	RESTRICTED TO
										C-1828699	-
										SCALE	SHEET
										2:1	1 OF 2
										REV	A2

THIS DRAWING IS UNPUBLISHED. RELEASED FOR PUBLICATION 20
 © COPYRIGHT 20 BY - ALL RIGHTS RESERVED.

REVISIONS				
P	LTR	DESCRIPTION	DATE	APVD
-		SEE SHEET 1	-	-

1. SHIPPED LOOSE PIECE AS SHOWN.



THIS DRAWING IS A CONTROLLED DOCUMENT.		DWN K. GLATFELTER 20 JUN 2005	TE Connectivity	
		CHK D. WERTMAN 24 JUN 2005		
		APVD D. WERTMAN 24 JUN 2005	NAME CONNECTOR SHELL KIT, D-HOLE BULKHEAD, PRO BEAM MINI	
DIMENSIONS: mm 		PRODUCT SPEC	RESTRICTED TO	
TOLERANCES UNLESS OTHERWISE SPECIFIED: 0 PLC ± 1 PLC ± 2 PLC ± 3 PLC ± 4 PLC ± ANGLES ± FINISH -		APPLICATION SPEC	SIZE A200779	CAGE CODE C-1828699
MATERIAL		WEIGHT	SCALE 2:1 SHEET 2 OF 2 REV A2	
		Customer Drawing		