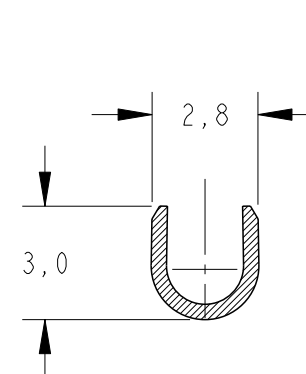
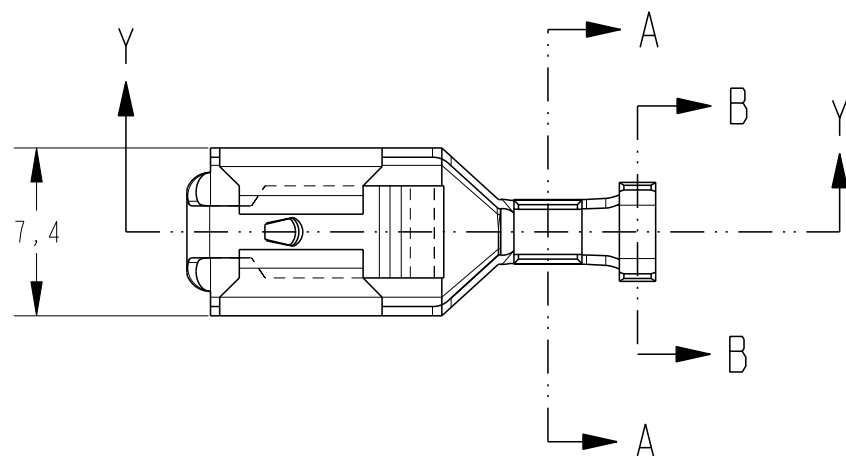


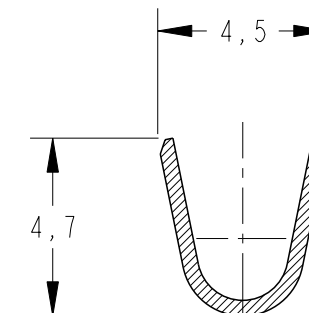
LOC	DIST
AP	-

REVISIONS

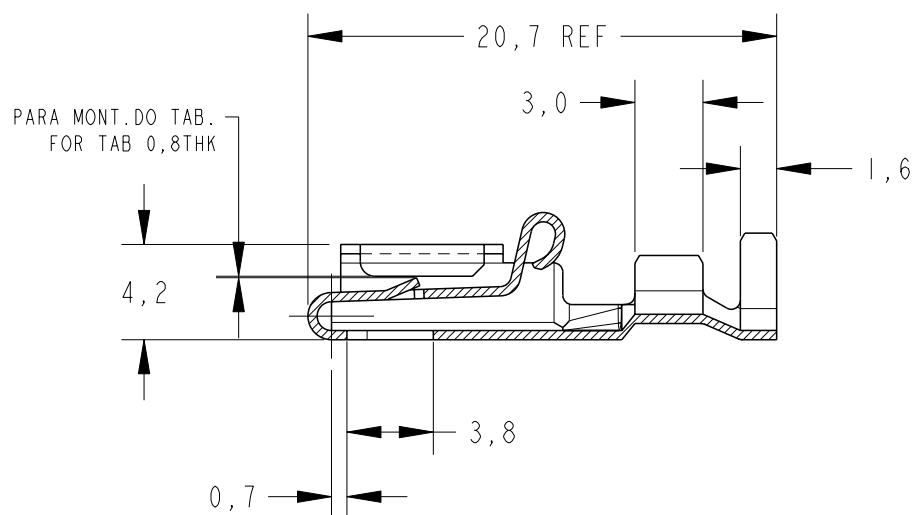
P	LTR	DESCRIPTION	DATE	DWN	APVD
	C5	REDRAW BY CAD	16JUL2012	NCL	DAO



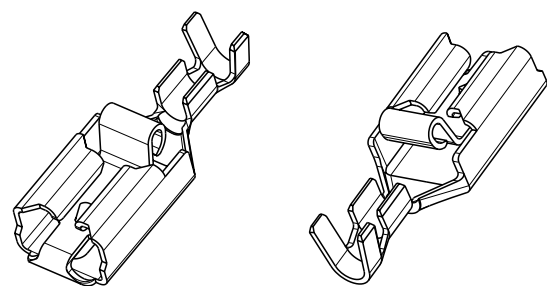
SECTION A-A
SCALE 5:1



SECTION B-B
SCALE 5:1



SECTION Y-Y



PERSPECTIVE VIEWS
SCALE 2:1

OBSOLETE
OBSOLETE

PRÉ ESTANHADO/PRE TIN	BRONZE FOSF./PHOSP BRONZE	880646 -6
PRÉ ESTANHADO/PRE TIN	LATÃO / BRASS	880646 -5
ESTANHADO/TIN PLATED	BRONZE FOSF./PHOSP BRONZE	880646 -4
ESTANHADO/TIN PLATED	LATÃO / BRASS	880646 -3
---	BRONZE FOSF./PHOSP BRONZE	880646 -2
---	LATÃO / BRASS	880646 -1
FINISH	MATERIAL	PART NUMBER

INS. RANGE	WIRE RANGE
∅ 2,0-3,30mm	0,5-1,0mm ²

THIS DRAWING IS A CONTROLLED DOCUMENT.

DWN	NCLAPRESA	16JUL2012
CHK	JRGOLDSCHMIDT	16JUL2012
APVD	-	16JUL2012

NAME

TE Connectivity



DIMENSIONS:	TOLERANCES UNLESS OTHERWISE SPECIFIED:
mm	
	0 PLC ±0,3
	1 PLC ±0,1
	2 PLC ±0,1
	3 PLC ±0,1
	4 PLC ±0,1
	ANGLES ±30'

MATERIAL SEE TABLE

FINISH SEE TABLE

PRODUCT SPEC	-
APPLICATION SPEC	-
WEIGHT	-

SIZE	CAGE CODE	DRAWING NO	RESTRICTED TO
A3	00779	880646	-

CUSTOMER DRAWING	SCALE 3:1	SHEET 1 OF 1	REV C5
------------------	-----------	--------------	--------