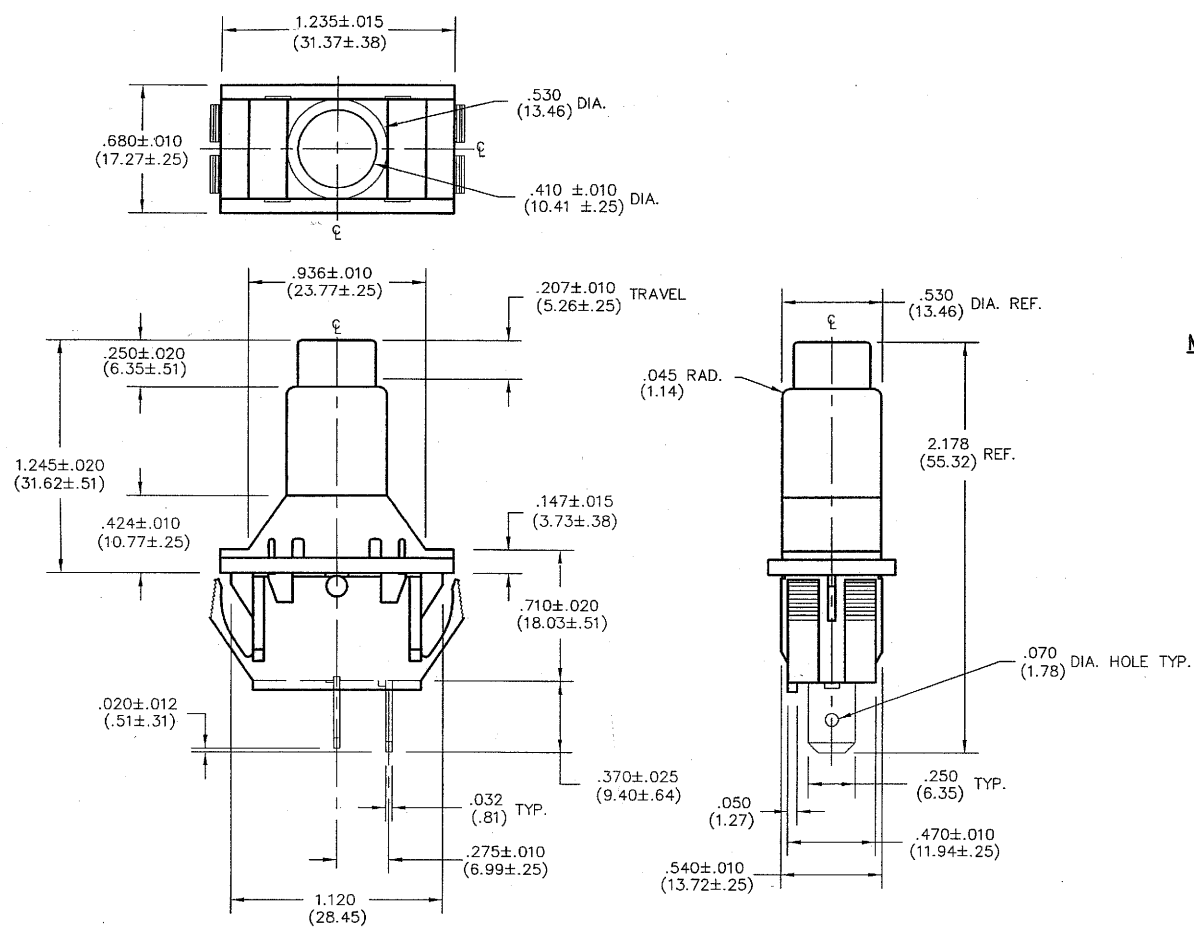


E
D
C
B
A



MATERIALS:

HOUSING AND ROCKER: NYLON 6/6 85°C MATERIAL
TERMINAL AND MOVING CONTACT: COPPER ALLOY

RATINGS:

16A. 125V.A.C. 12A. 250V.A.C.
3/4 H.P. 125-250V.A.C.
12 (6)A. 250 ~ VDE

OPERATING TEMPERATURE/HUMIDITY: -30C - 85C/100 Hour Soak @
95% RH and 50C and 1 Hour dry in ambient = > 10 M ohms

ELECTRICAL CYCLES: UL Rated 6K Cycles, VDE 10K Cycles

MECHANICAL CYCLES: 100K Cycles

FLAMMABILITY RATING: UL 94V - 2

REGULATORY APPROVALS: UL 1054/VDE EN61058/CSA C22.2 No. 55

1	2	3	4	5	6	7	8	9	10								
<p>REVISIONS</p> <p>RELEASED: DGW 10-26-2009</p> <p>OCT 26 2009</p>							<p>CW INDUSTRIES Southampton, Pa. 18966</p> <p>TOLERANCES UNLESS OTHERWISE SPECIFIED</p> <table border="1"> <tr> <td>2 Place Decimal ±.010</td> <td>METRIC</td> </tr> <tr> <td>3 Place Decimal ±.005</td> <td>1 Place Dec. ±.25mm</td> </tr> <tr> <td>Angles ±1°</td> <td>2 Place Dec. ±.13mm</td> </tr> </table> <p>Made for: CW IND.</p> <p>Drawn by: DGW 10-26-2009</p> <p>Checked by: G. Guld 10-26-09</p> <p>Approval: G. Guld 10-26-09</p>			2 Place Decimal ±.010	METRIC	3 Place Decimal ±.005	1 Place Dec. ±.25mm	Angles ±1°	2 Place Dec. ±.13mm	<p>Title: SWITCH ASSEMBLY PUSH ON/OFF S.P.- S.T.</p> <p>Division: SWITCH</p> <p>Dwg. No. GRSN-2011-2002</p>	
2 Place Decimal ±.010	METRIC																
3 Place Decimal ±.005	1 Place Dec. ±.25mm																
Angles ±1°	2 Place Dec. ±.13mm																

MASTER