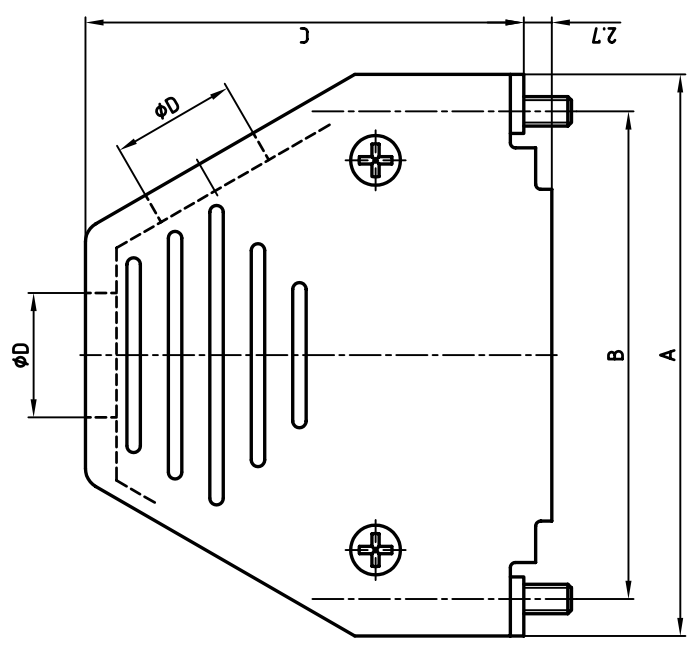
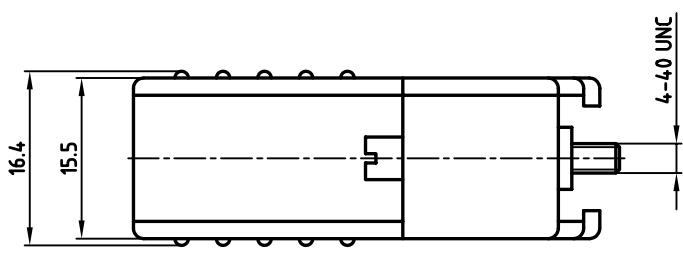


used for: D-SUB



MATERIAL:
HOOD: ABS, METALLIZED
JACKSCREWS: COPPER ALLOY; TIN PLATED



THIS DRAWING MAY NOT BE COPIED OR REPRODUCED IN ANY WAY, AND MAY NOT BE PASSED ON TO A THIRD PARTY WITHOUT WRITTEN PERMISSION.
OWNERSHIP AND COPYRIGHT OF CONEC GMBH DO NOT ALTER CAD DRAWING BY HAND

Pos.	A	B	C	φD	Part No.	A0-No.
9	32.0	25.0	36.9	7.5	165X11319X	
15	40.0	33.3	38.3	9.5	165X11329X	
25	54.2	47.0	42.3	12.0	165X11339X	
37	70.6	63.5	47.3	14.0	165X11349X	A0354/368

rev.	description	date	name

Conec Corporation Brampton, Ontario		tolerance		scale:	
1999	date	2:1	material:	SEE NOTES	
drawn	21.06.	name	Barcinski	title:	Hood metallized
appd.	21.06.	Mickenbecker			9-37 pos. with top and side cable entry with jackscrews
norm					[CAD/ REL.14/ DIN-A
6-old					3
					sh: 1/1

Conec Corporation Brampton, Ontario		tolerance		scale:	
1999	date	2:1	material:	SEE NOTES	
drawn	21.06.	name	Barcinski	title:	Hood metallized
appd.	21.06.	Mickenbecker			9-37 pos. with top and side cable entry with jackscrews
norm					[CAD/ REL.14/ DIN-A
6-old					3
					sh: 1/1



dwg no: 16K11ITA
product no: SEE TABLE