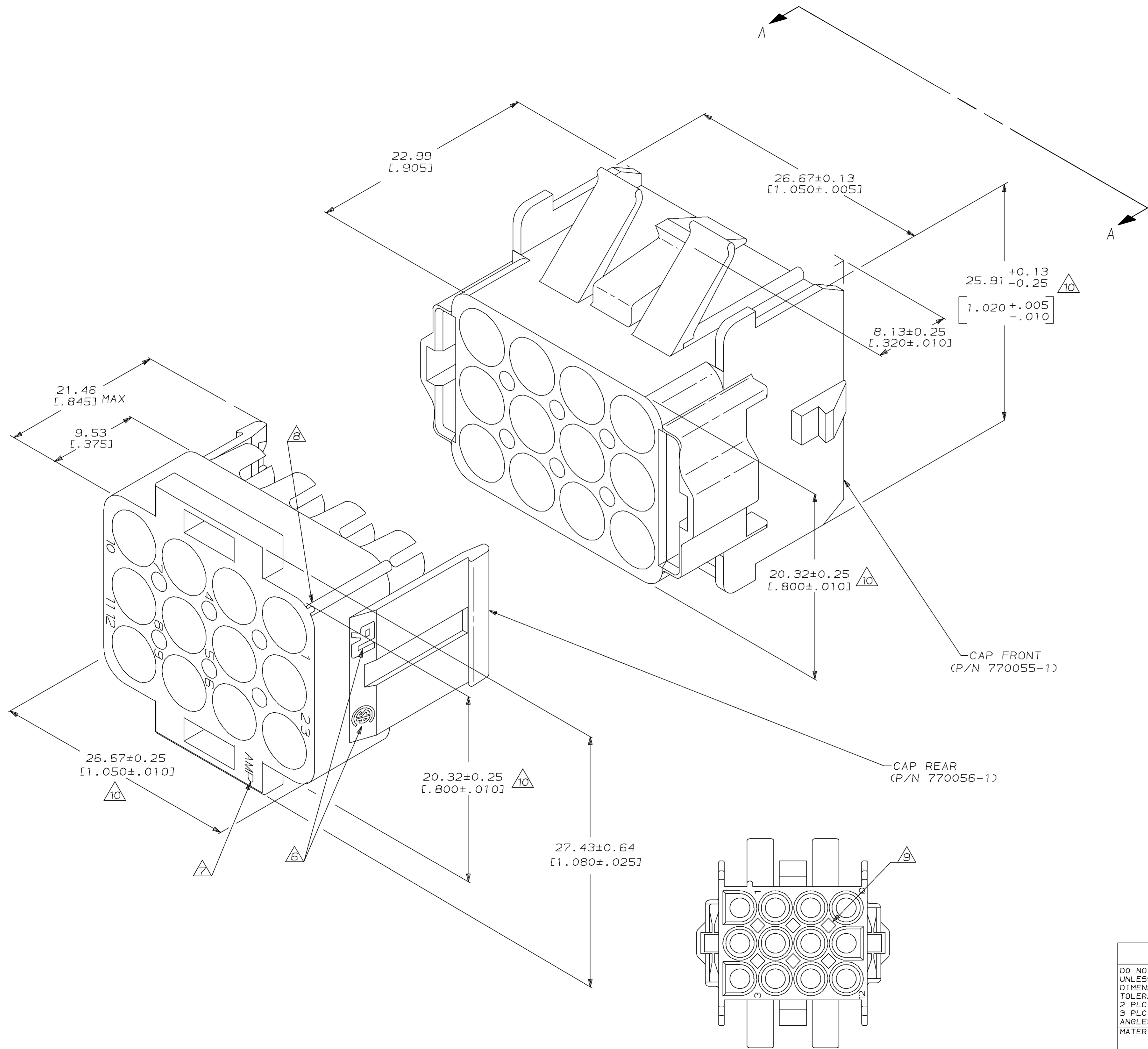
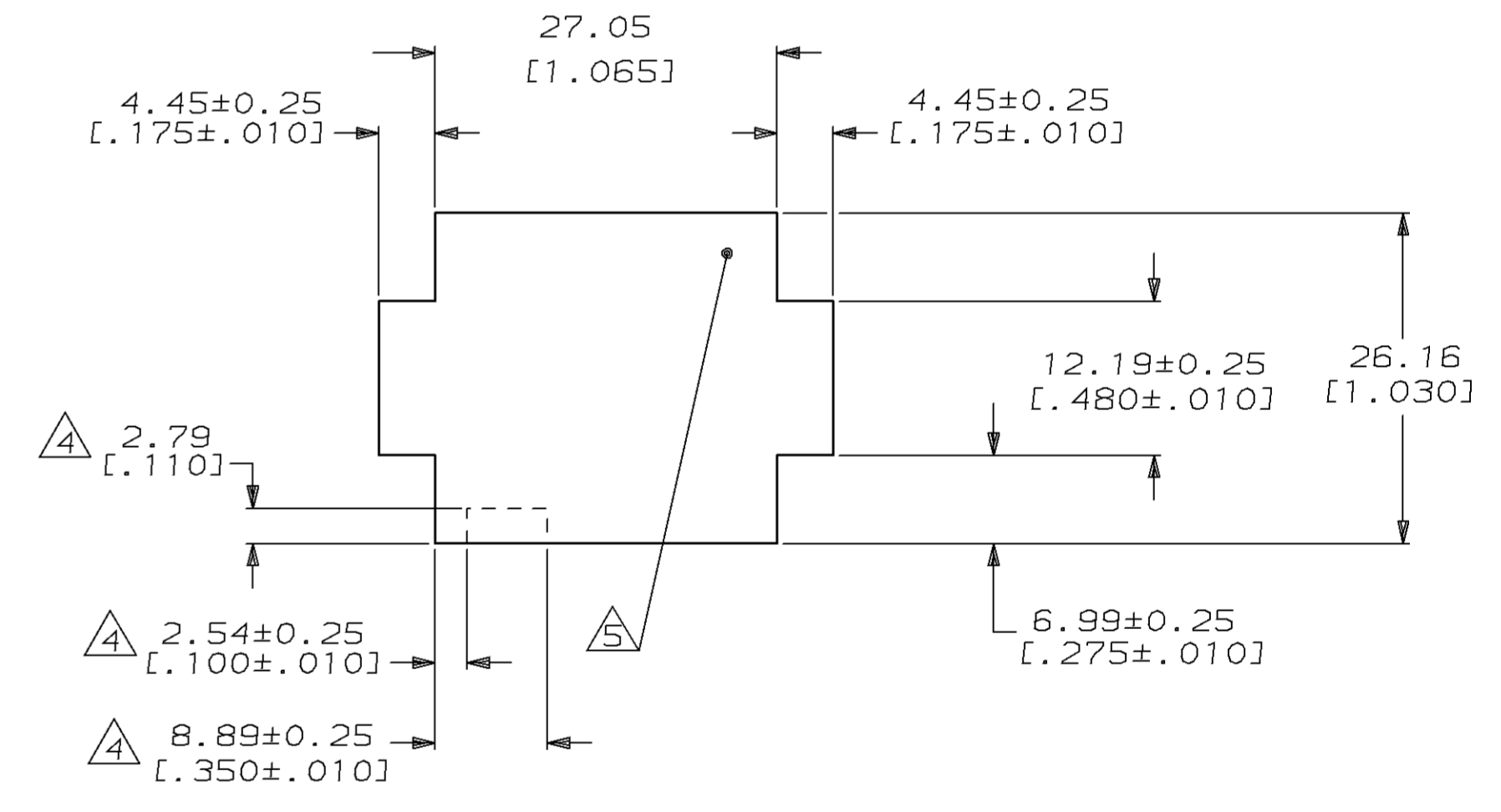


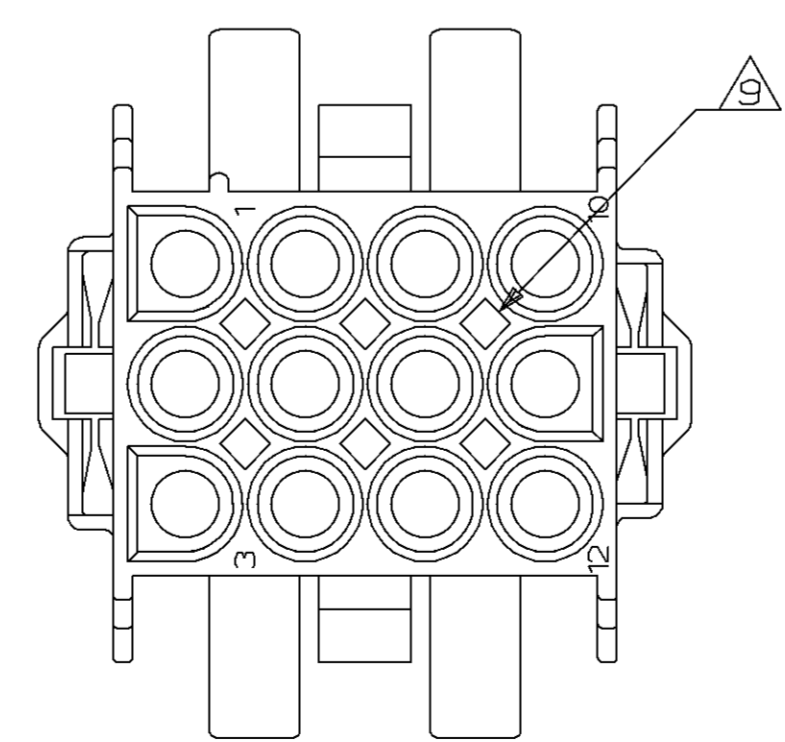
LOC		DIST		P		F		ZONE		LTR		REVISIONS		DATE	APPD		
												DESCRIPTION					
CM	53												6	REV PER EC	0L30-0034-96	8-30-96	JH



1. BULK PACKAGED, UNASSEMBLED.
2. RECOMMENDED PANEL THICKNESS 0.76-2.29 [0.030-.090].
3. PANEL MUST BE PUNCHED SO THAT THE HOUSING ENTERS THE PANEL IN THE SAME DIRECTION AS THE PUNCH.
4. OPTIONAL FOR KEYING HOUSING IN PANEL.
5. CIRCUIT NO. 1 LOCATON.
6. APPROVAL AGENCY LOGO LOCATED APPROXIMATELY AS SHOWN.
7. AMP LOGO LOCATED THIS SURFACE.
8. CIRCUIT NUMBER ONE IDENTIFICATION RIB AND CIRCUIT IDENTIFICATION NUMBERS ARE EACH LOCATED ADJACENT TO THE APPROPRIATE CIRCUIT CAVITIES.
9. OPTIONAL CONSTRUCTION PROVIDES ROUND MATERIAL REDUCTION CORING HOLES.
10. DIMENSION INDICATED IS AS MOLDED. ADDITIONAL GROWTH DUE TO SUBSEQUENT MOISTURE ABSORPTION MAY OCCUR.



RECOMMENDED PANEL CUTOUT  
 (HOUSING ENTRY SIDE)  
 SCALE 2:1



VIEW A-A  
 SCALE 2:1



770029-1  
 PART NUMBER

DO NOT SCALE PRINT. UNLESS SPECIFIED DIMENSIONS IN INCHES TOLERANCES ON:		DR 1-22-92 K. SALMON		PART NO	
1	PLC DEC ± 0.13 [0.005]	CHK 1-22-92 R. SWING		AMP INCORPORATED Harrisburg, Pa. 17105	
2	PLC DEC ± 0.13 [0.005]	APPD 1-22-92 M. TRULL			
3	PLC DEC ± 0.13 [0.005]	APPD 1-22-92 M. TRULL		NAME	
4	ANGLES ±	PRODUCT SPEC		CAP HOUSING KIT, 12 CIRCUIT, UNIVERSAL MATE-N-LOK™ II	
MATERIAL		APPLICATION SPEC		SIZE	F5CM NO
NYLON, UL94V-0,				D	00779
FINISH		WEIGHT		DRAWING NO	770029
				SCALE	5:1
				SHEET	1 OF 1