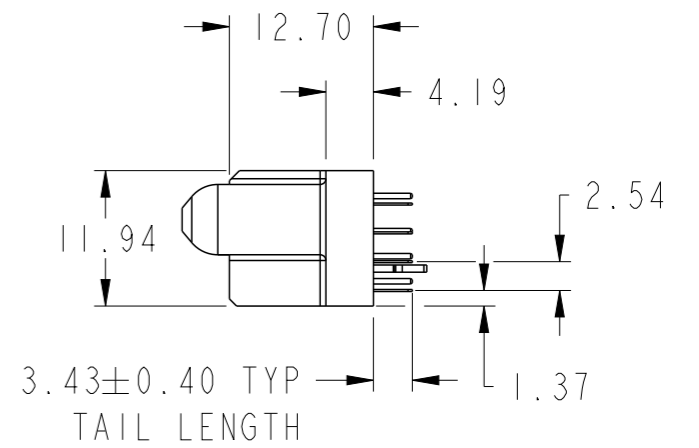
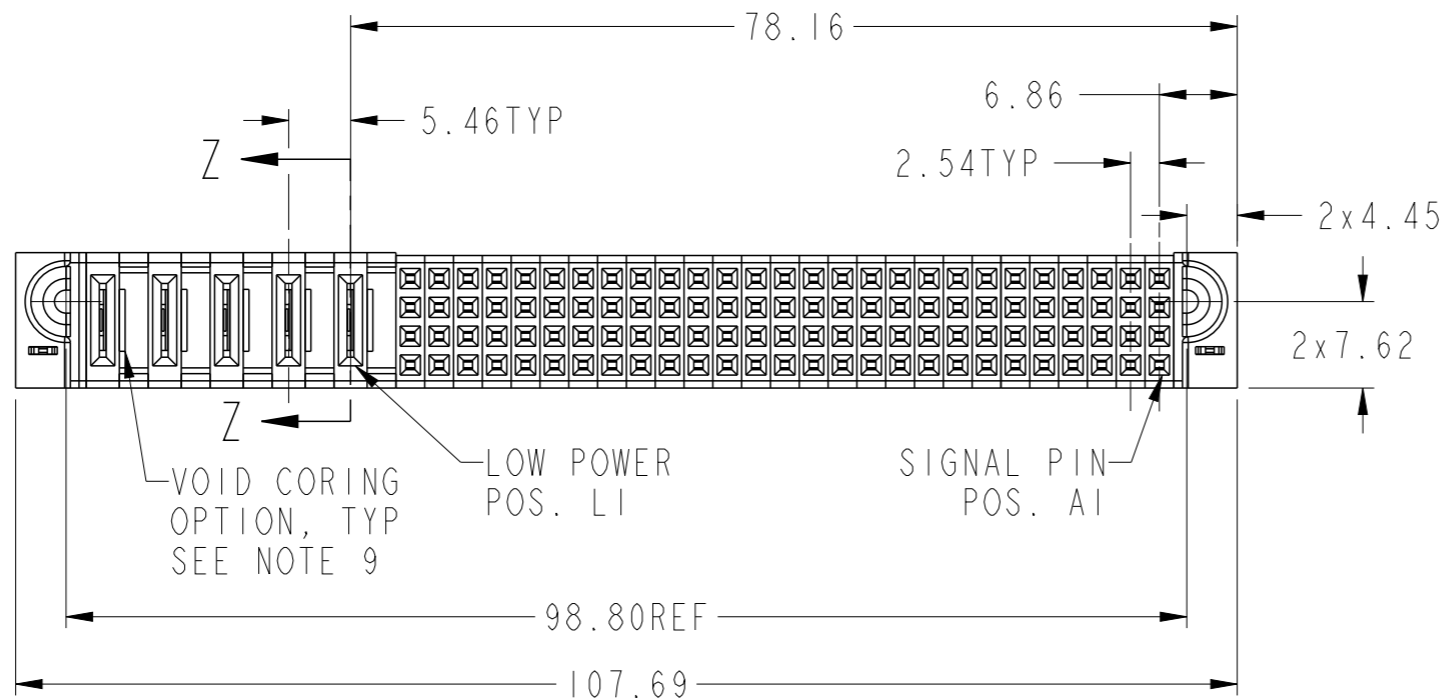
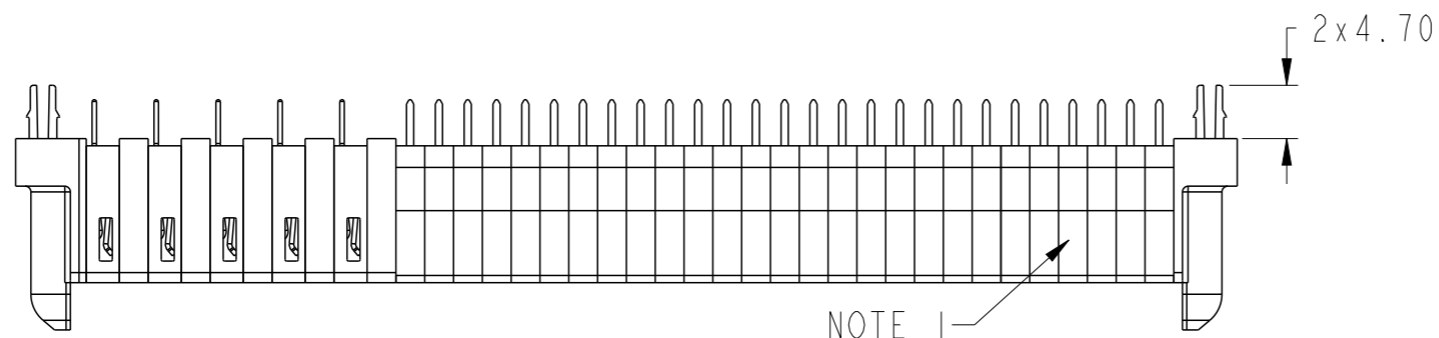
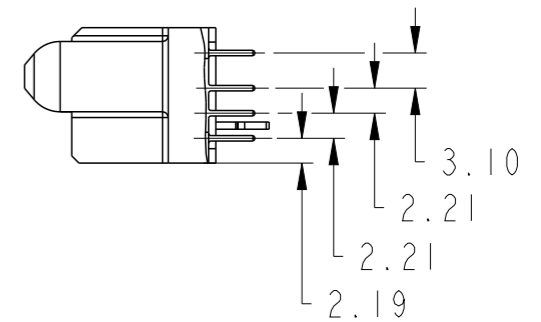
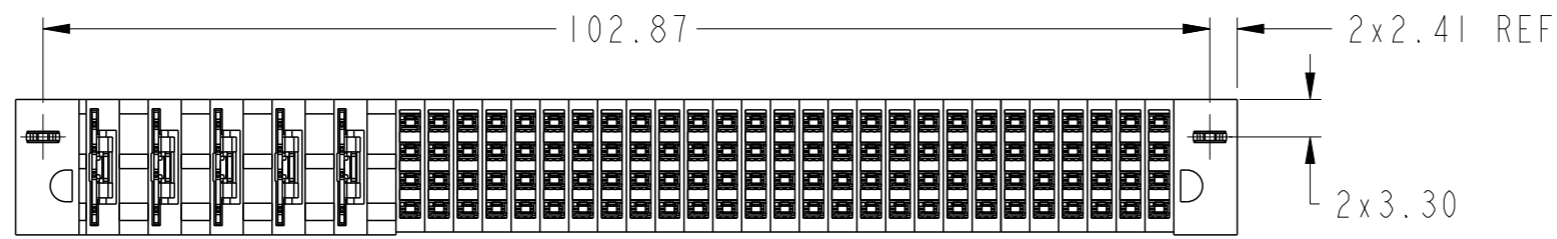


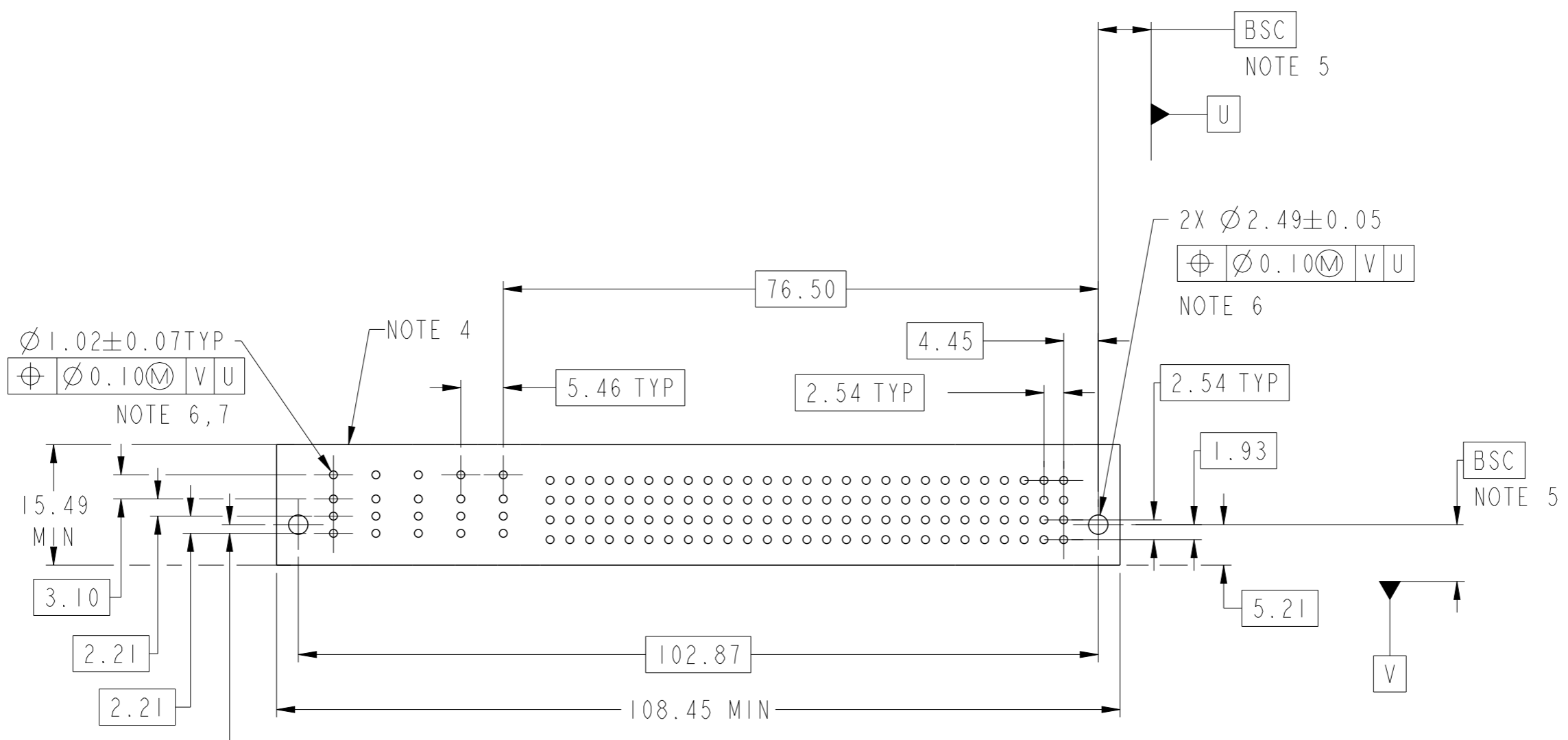
PRODUCT NUMBER SEE SHEET 2



Copyright FCI.

spec ref		dr	2014/07/04	projection	MM	size	A3	scale	3:2	
tolerance std ASME Y14.5		eng	2014/07/15			ecn no		-		
TOLERANCES UNLESS OTHERWISE SPECIFIED		chr	2014/07/14			product family		PowerBlade+	rel level	
surface		linear	0.X	±0.50		108S + 5LP VT STB RECEPTACLE		dwg no 10106268-0527101	rev A	
			0.XX	±0.25						
ASME Y14.5	angular	0°	±2°	www.fci.com						

PRODUCT NO.	ROWS	HIGH POWER					SIGNAL																									E2	CODE	DESCRIPTION					
		E1	P5	P4	P3	P2	P1	27	26	25	24	23	22	21	20	19	18	17	16	15	14	13	12	11	10	9	8	7	6	5	4				3	2	1		
10106268-052710ILF	D C B A																																	E	STD SIGNAL CONTACT				
																																						HA	METAL HOLD DOWN
																																					LR	STD LOW POWER CONTACT (3.43)	



Copyright FCI.

dr	Rainbow Zhan	2014/07/04	projection	MM	size	A3	scale	3:2	
eng	Rainbow Zhan	2014/07/15			ecn no	-	rel level	Released	
chr	Li-He	2014/07/14			product family	PowerBlade+			
appr	Pei-Ming Zheng	2014/07/15	www.fci.com			cat. no.		Product - Customer Drw	sheet 2 of 3
title 108S + 5LP VT STB RECEPTACLE					dwg no 10106268-0527101		rev A		

A

B

C

D

A

B

C

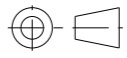
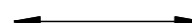

D

NOTES:

- 1) "FCI", PART NUMBER AND DATE CODE TO BE MARKED ON THIS SURFACE.
THE MARK CAN BE OMITTED IF THERE IS NOT ENOUGH SPACE ON THIS SURFACE.
- 2) MATERIALS:
-HOUSING - GLASS FILLED WITH HIGH TEMP THERMOPLASTIC, UL94V-0.
-SIGNAL CONTACT - COPPER ALLOY.
-POWER CONTACT - HIGH CONDUCTIVITY COPPER ALLOY.
- 3) PLATING SPECIFICATION REFER TO FCI 10124315.
- 4) DENOTES CONNECTOR KEEP OUT ZONE.
- 5) DATUM AND BASIC DIMENIONS WERE ESTABLISHED BY CUSTOMER.
- 6) ALL HOLE DIAMETERS ARE FINISHED HOLE SIZES.
- 7) 1.15 ± 0.025 MM DRILLED HOLE PLATED WITH 0.00762MM MIN Sn
OVER 0.0254-0.0762MM Cu PLATING TO ACHIEVE A 1.02 ± 0.07 MM HOLE.
- 8) PRODUCT SPECIFICATION REFER TO FCI GS-12-658.
APPLICATION SPECIFICATION REFER TO FCI GS-20-141.
PRODUCT PACKAGED IN TRAYS, REFER TO FCI GS-14-1502.
- 9) THE VOID CORING IN BETWEEN POWER MODULES, SIGNAL
MODULES AND END MODULES ARE OPTIONAL AND THE SHAPE
MAY BE DIFFERENT FOR OPTIMIZE THE MOLDING PROCESS. THE
VOID CORING WILL NOT EFFECT TO PRODUCT FUNCTION.



Copyright FCI.

dr	Rainbow Zhan	2014/07/04	projection 	MM 	size	A3	scale	1:1
eng	Rainbow Zhan	2014/07/15			ecn no	-		
chr	Li-He	2014/07/14			rel level	Released		
appr	Pei-Ming Zheng	2014/07/15			product family	PowerBlade+		
		title 108S + 5LP VT STB RECEPTACLE	cat. no. 10106268-0527101	rev A				
www.fci.com		Product - Customer Drw		sheet 3 of 3				