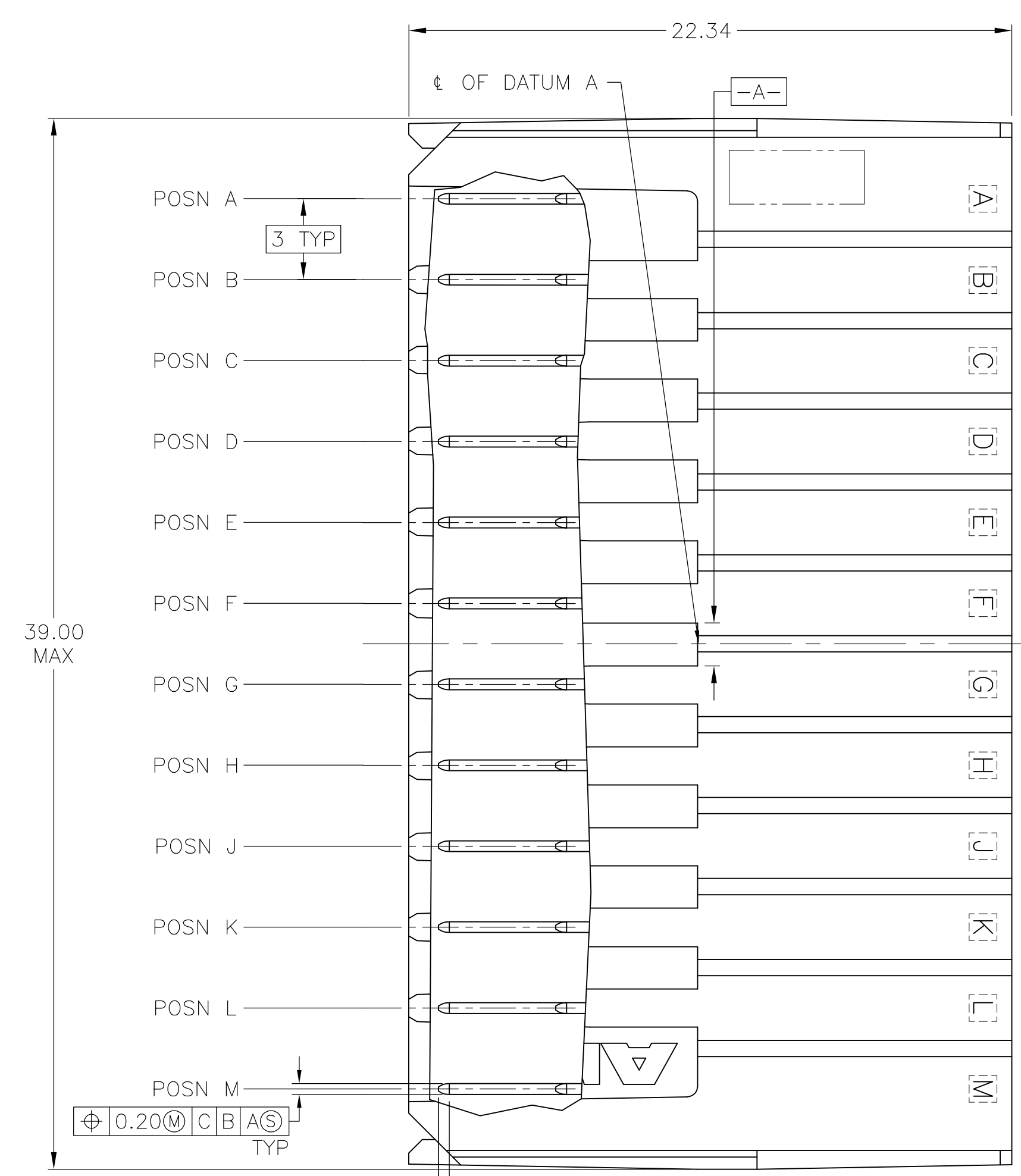
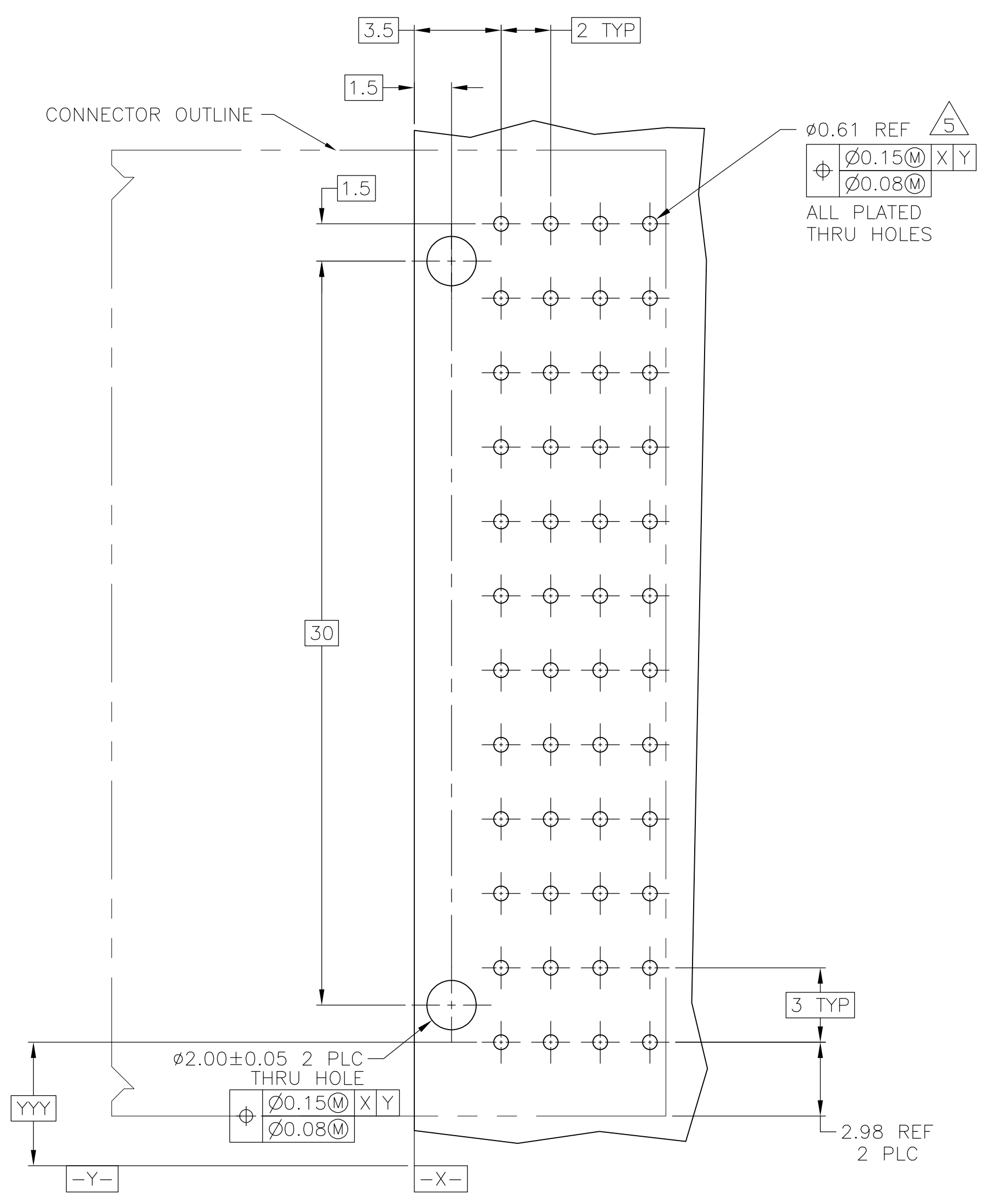
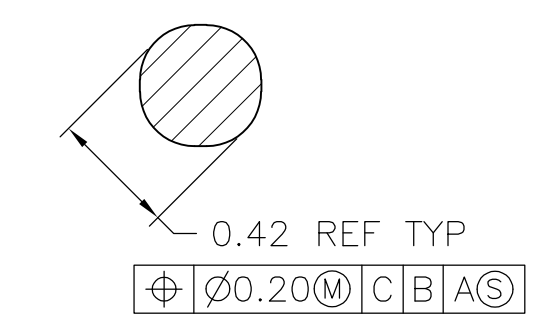


LOC		DIST		REVISIONS			
P	LTR	DATE	DMN	APVD			
E	REVISED PER ECO-11-000045	04JAN11	DH	DY			

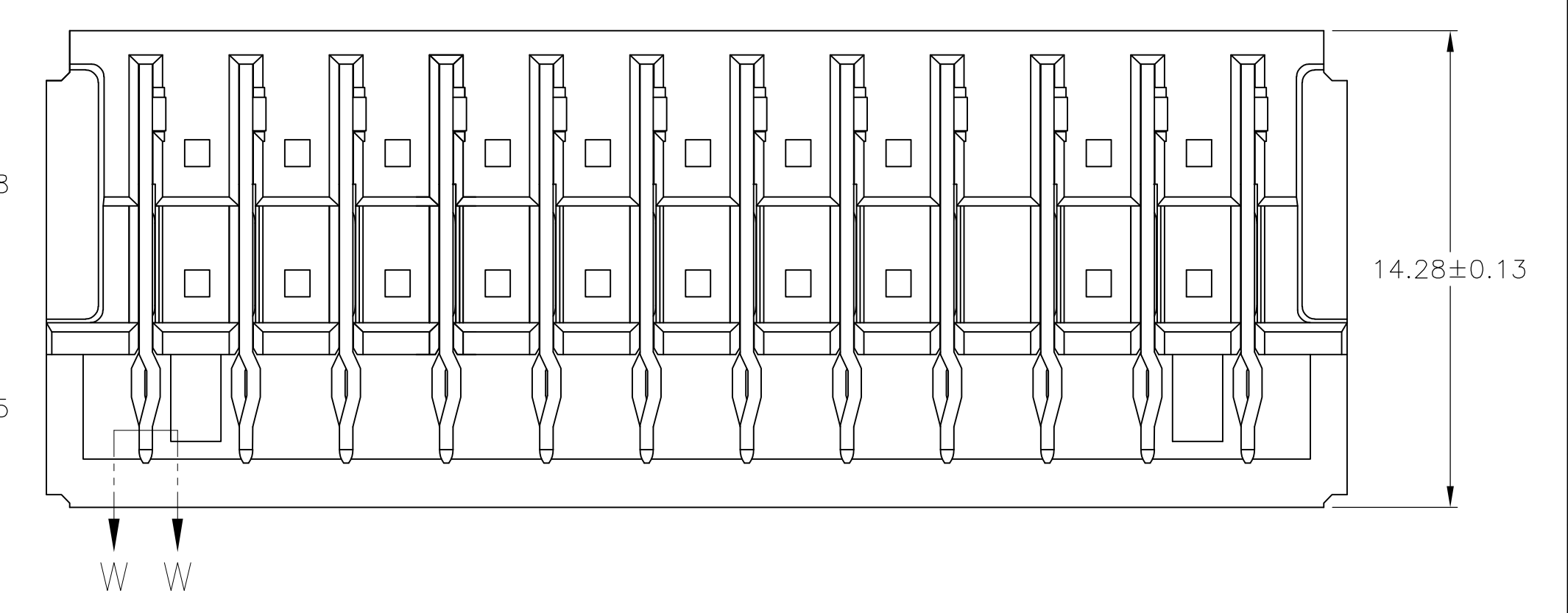
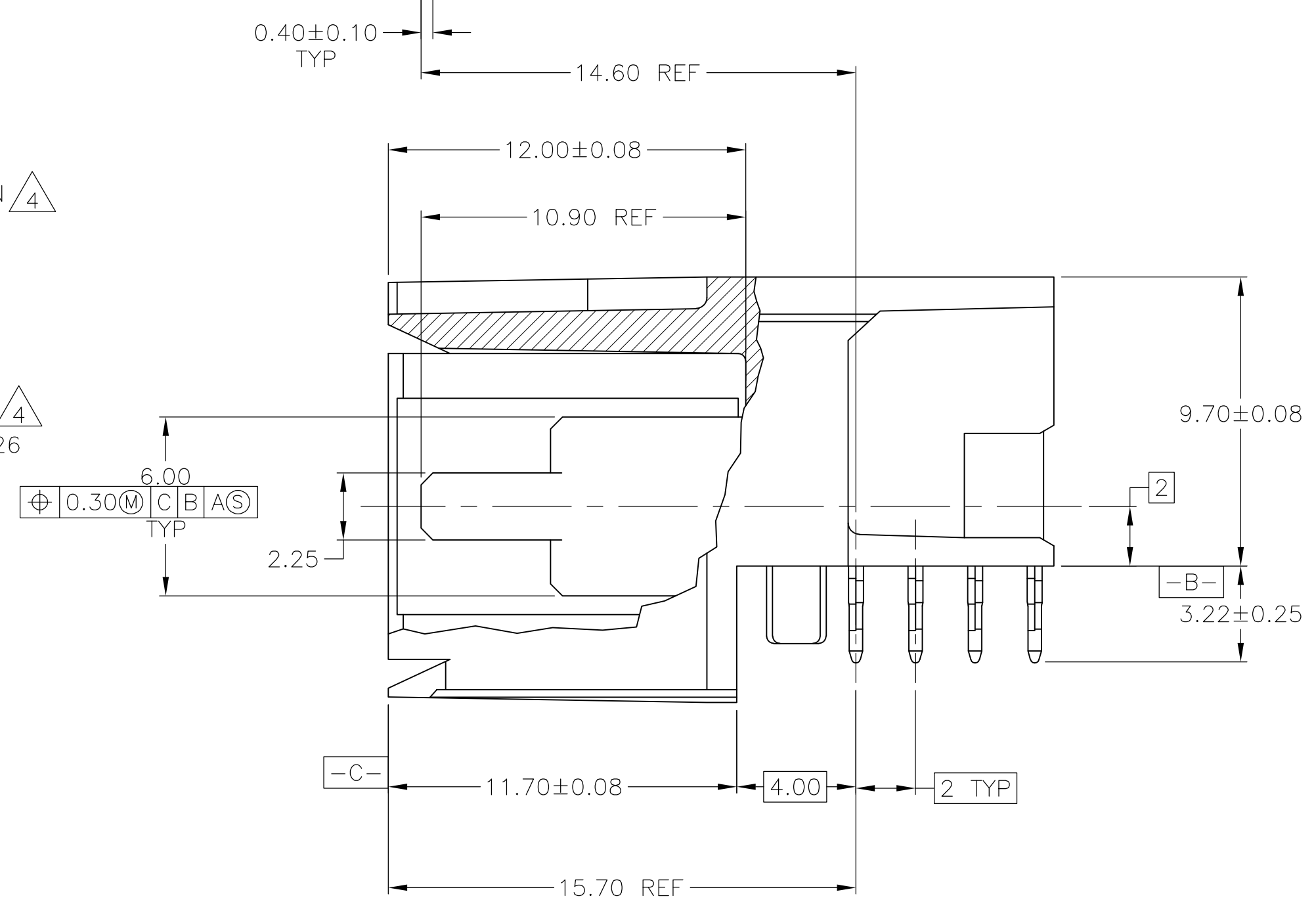
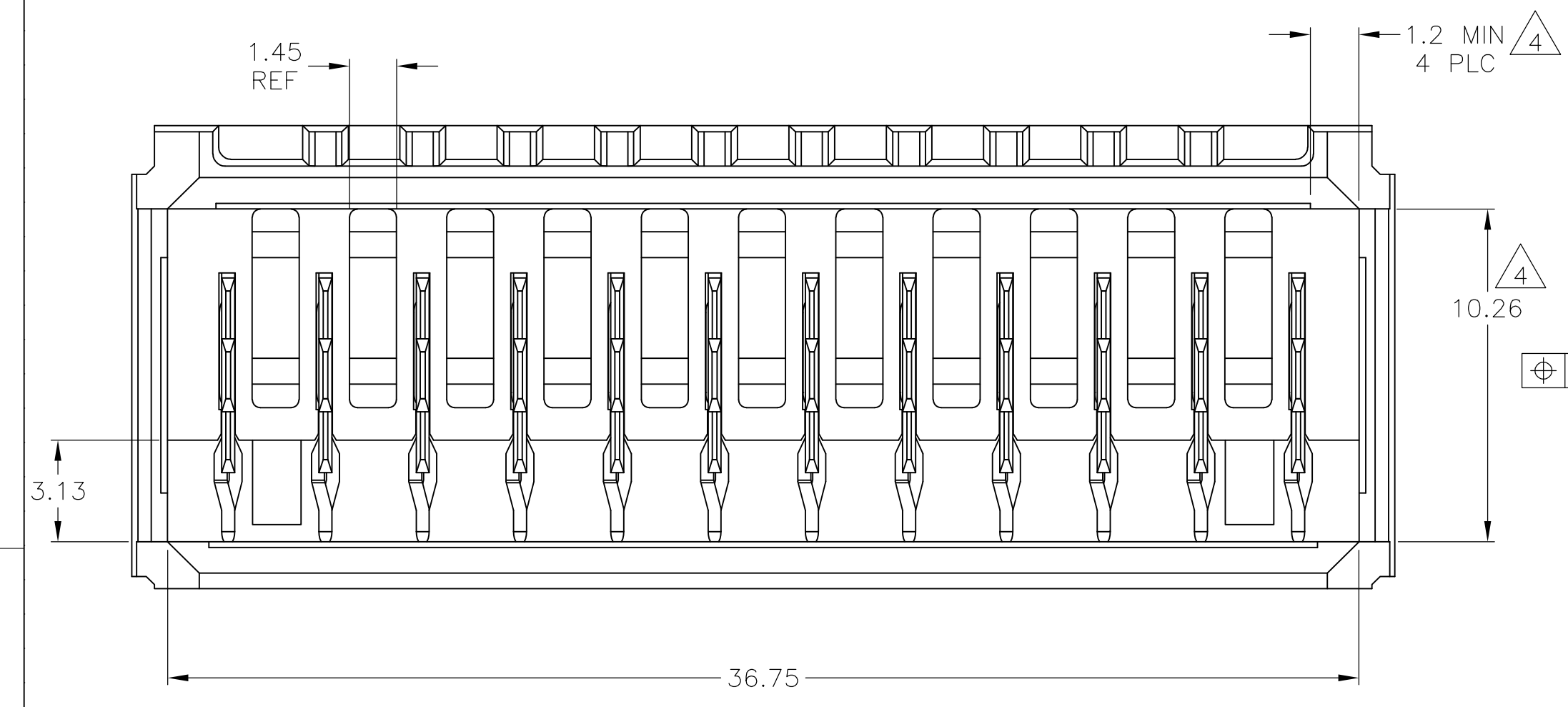


- 1 MATERIAL: HOUSING: POLYESTER, GRAY. UL 94V-0. CONTACT: HIGH CURRENT COPPER ALLOY.
- 2 FINISH: CONTACT MATING AREA: 1.27µm MIN GOLD OR 0.08µm MIN GOLD OVER 0.76µm MIN PALLADIUM-NICKEL. ACTION PIN AREA: 0.5µm MIN MATTE TIN PLATE. ALL OVER 1.27µm MIN NICKEL UNDERPLATE.
- 3 FINISH: CONTACT LUBRICATION WITH BELLCORE APPROVED LUBRICANT. TECHNICAL REFERENCE: GR-1217-CORE, ISSUE 1, NOVEMBER 1995.
- 4 THE 10.26±0.13 DIMENSION APPLIES IN THIS AREA.
- 5 REFERENCE APPLICATION SPEC 114-1103 FOR RECOMMENDED PLATED THRU HOLE DIAMETER AND PLATING THICKNESSES.
- 6. CURRENT RATING 16A/CONTACT PER PRODUCT SPEC 108-1651.



SECTION W-W
SCALE 40:1

RECOMMENDED PCB HOLE LAYOUT



120962-1
PART NUMBER

THIS DRAWING IS A CONTROLLED DOCUMENT.		DIN B CARBO 19OCT04	Tyco Electronics Corporation Harrisburg, PA 17105-3608
DIMENSIONS: mm		CIK R PATTERSON 19OCT04	
TOLERANCES UNLESS OTHERWISE SPECIFIED:		APVD R PATTERSON 19OCT04	NAME
0 PLC	± -	ASSEMBLY, RIGHT ANGLE HEADER, W/ RETENTION PEGS, UNIVERSAL POWER MODULE	
1 PLC	± -	SIZE	CAGE CODE DRAWING NO
2 PLC	± 0.13	A1	00779 C=120962
3 PLC	± -	WEIGHT	RESTRICTED TO
4 PLC	± -	CUSTOMER DRAWING	
ANGLES	± -	SCALE	6:1