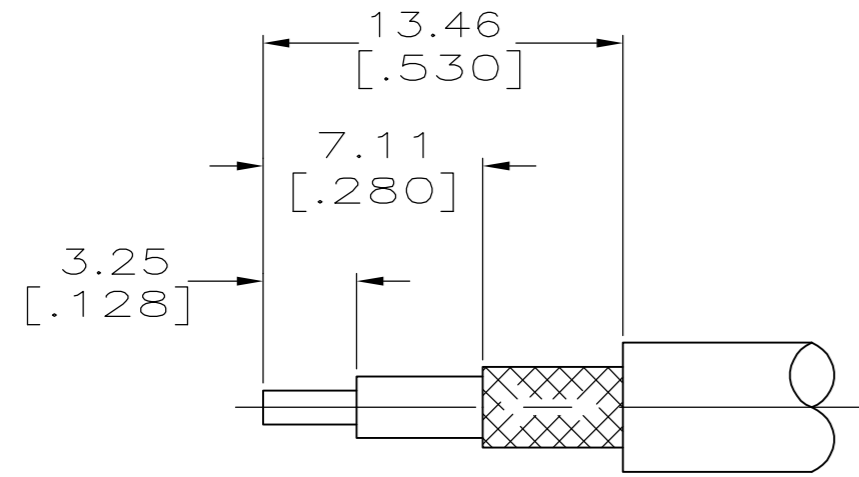
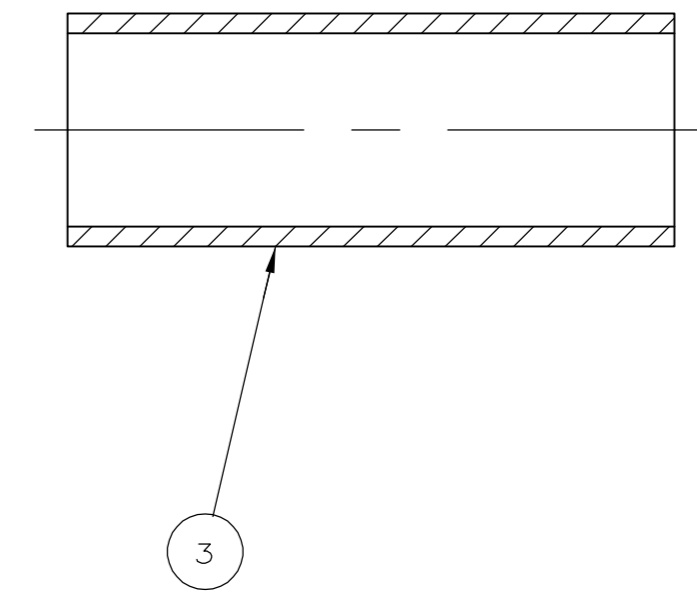
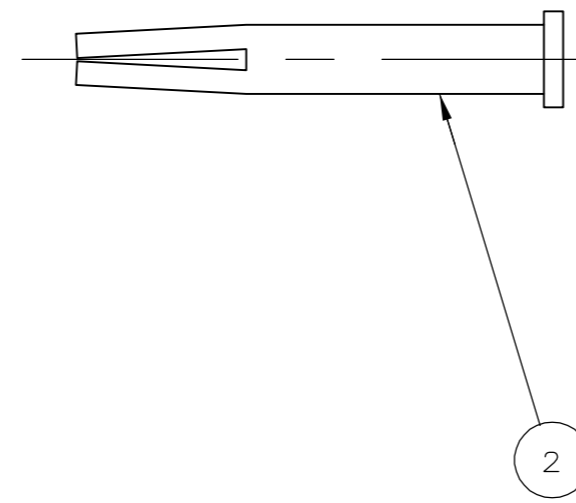
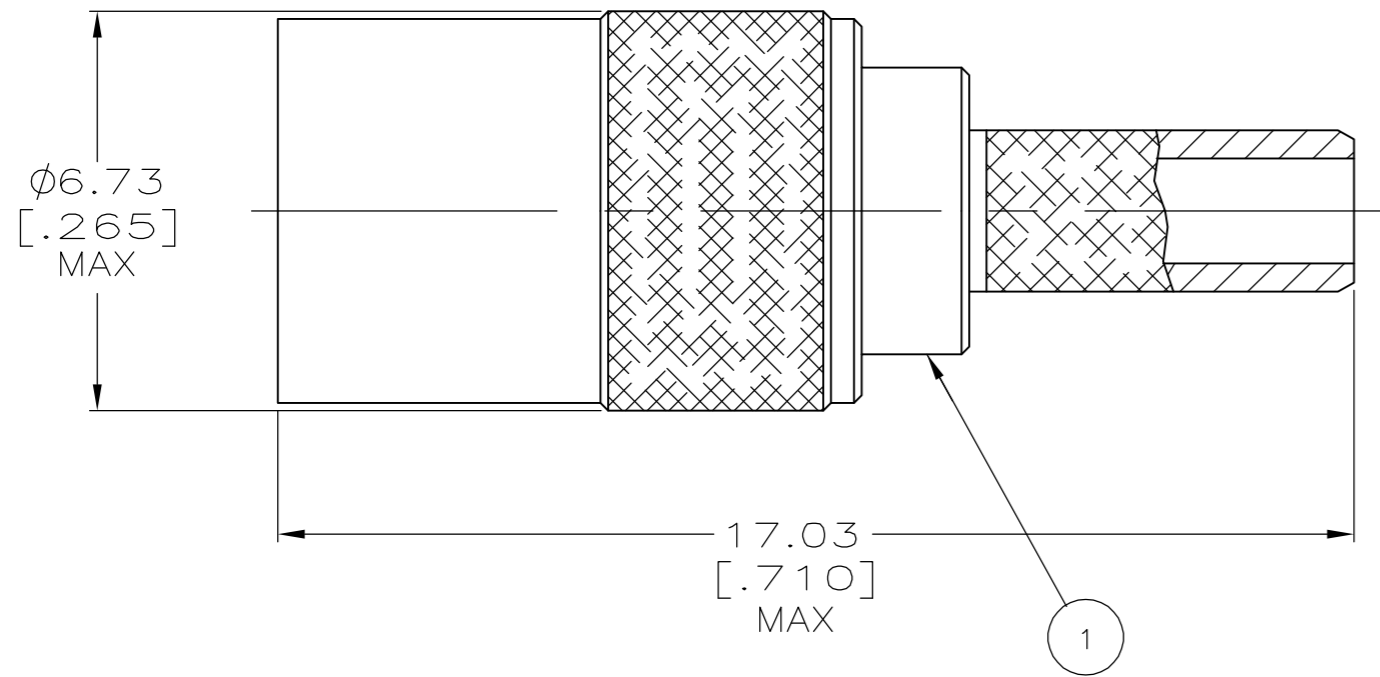


THIS DRAWING IS UNPUBLISHED. RELEASED FOR PUBLICATION  
 © COPYRIGHT BY TYCO ELECTRONICS CORPORATION. ALL RIGHTS RESERVED.

| LOC | DIST | REVISIONS   |                           |         |       |
|-----|------|-------------|---------------------------|---------|-------|
| P   | LTR  | DESCRIPTION | DATE                      | DWN     | APVD  |
| AJ  | 16   | B2          | REVISED PER ECO 05-015746 | 15MAY06 | GB JH |



RECOMMENDED STRIP LENGTHS  
SCALE NTS



- △ FINISHES:  
 BODY: NICKEL PLATE PER QQ-N-290  
 CONTACT: GOLD PLATE PER ASTM B 488  
 OUTER CONTACT: GOLD PLATE PER ASTM B 488
- △ FINISHES:  
 BODY: NICKEL PLATE PER QQ-N-290  
 CONTACT: GOLD PLATE PER ASTM B 488  
 OUTER CONTACT: NICKEL PLATE PER QQ-N-290
- 3. INTERFACE PER MIL-C-39012.
- 4. SEE I.S. SHEET 408-2987-12.

|                                 |             |          |                 |                 |                    |                              |                 |                 |                 |                   |             |                                |  |  |  |  |  |
|---------------------------------|-------------|----------|-----------------|-----------------|--------------------|------------------------------|-----------------|-----------------|-----------------|-------------------|-------------|--------------------------------|--|--|--|--|--|
| B                               | 58483-1     | .128     | HX4-1637        | 4               | K699               | △1                           | RG-179          | 9-446556-1      | 228278-4        | 9-414958-0        | 1-5414946-1 |                                |  |  |  |  |  |
| B                               | 58483-1     | .128     | HX4-1637        | 4               | K699               | △2                           | RG-179          | 1-413889-3      | 228278-4        | 9-414958-1        | 5414946-6   |                                |  |  |  |  |  |
| B                               | 58483-1     | .128     | HX4-1637        | 4               | K699               | △1                           | RG-179          | 1-413889-3      | 228278-4        | 9-414958-0        | 5414946-5   |                                |  |  |  |  |  |
| C                               | 58483-1     | .151     | HX4-1637        | 4               | K699               | △1                           | RD-316          | 1-413889-4      | 228203-4        | 9-414958-0        | 5414946-3   |                                |  |  |  |  |  |
| B                               | 58483-1     | .128     | HX4-1637        | 4               | K699               | △2                           | RG-316 & RG-174 | 1-413889-3      | 228203-4        | 9-414958-1        | 5414946-2   |                                |  |  |  |  |  |
| POSITION LETTER                 | AMP DIE SET | HEX SIZE | DANIELS DIE SET | SELECTOR NUMBER | DANIELS POSITIONER | NOTES                        | CABLE           | ③ FERRULE QTY=1 | ② CONTACT QTY=1 | ① PLUG ASSY QTY=1 | PART NO     |                                |  |  |  |  |  |
| AMP PRO-CRIMPER FOR BRAID CRIMP |             |          |                 |                 |                    | M 22520/5-01 FOR BRAID CRIMP |                 |                 |                 |                   |             | M 22520/2-01 FOR CONTACT CRIMP |  |  |  |  |  |
| TOOLING INFORMATION             |             |          |                 |                 |                    |                              |                 |                 |                 |                   |             |                                |  |  |  |  |  |

THIS DRAWING IS A CONTROLLED DOCUMENT.

|                         |  |                                  |  |
|-------------------------|--|----------------------------------|--|
| DIMENSIONS: mm [INCHES] | TOLERANCES UNLESS OTHERWISE SPECIFIED: | DWN G. ATTADIA - DOCK5 01FEB2005 | Tyco Electronics Corporation<br>Harrisburg, PA 17105-3608    |
|                         | 0 PLC ± -                              | CHK J. HAVENER 01FEB2005         |  |
|                         | 1 PLC ± -                              | APVD J. HAVENER 01FEB2005        |  |
|                         | 2 PLC ± 0.25 [.010]                    | PRODUCT SPEC                     |  |
| MATERIAL -              | FINISH SEE TABLE                       | APPLICATION SPEC -               | NAME 50 OHM PLUG ASSY, STRAIGHT, CABLE MOUNT, SMB            |
| CUSTOMER DRAWING        |  | WEIGHT -                         | SIZE A2 CAGE CODE 00779 DRAWING NO C=5414946 RESTRICTED TO - |
|                         |  | SCALE 8:1                        | SHEET 1 of 1 REV B2  |