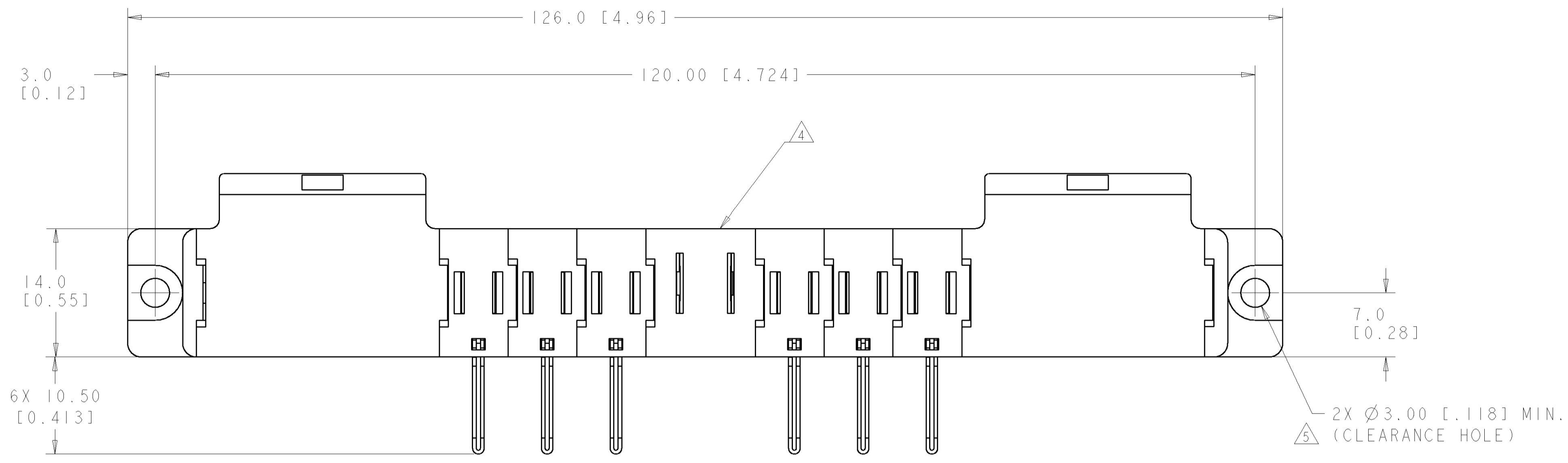


LOC	DIST	REVISIONS			
P	LTR	DESCRIPTION	DATE	DWN	APVD
A		RELEASED	20FEB2006	RG	PD



- PART NUMBER CHANGES AND OR DESIGN CHANGES AFFECTING ITEM INTERCHANGEABILITY REQUIRE PRIOR TYCO APPROVAL AND AUTHORIZATION BY REVISION TO THIS DRAWING.
- MATERIAL:
 - INSULATORS - THERMOPLASTIC, GLASS REINFORCED, COLOR: BLACK
 - UL94V-0 FLAMMABILITY RATED.
 - POWER CONTACTS - PHOSPHOR BRONZE ALLOY, COPPER ALLOY
 - SIGNAL CONTACTS - BRASS ALLOY
 - CROWN BANDS - BERYLLIUM COPPER ALLOY
- FINISH:
 - CONTACTS - GOLD PLATE .000030" MIN. THK., OVER NICKEL .000050" MIN. THK.
 - SOLDER TAILS TIN .000120" MIN THK. OVER NICKEL .000050" MIN. THK.

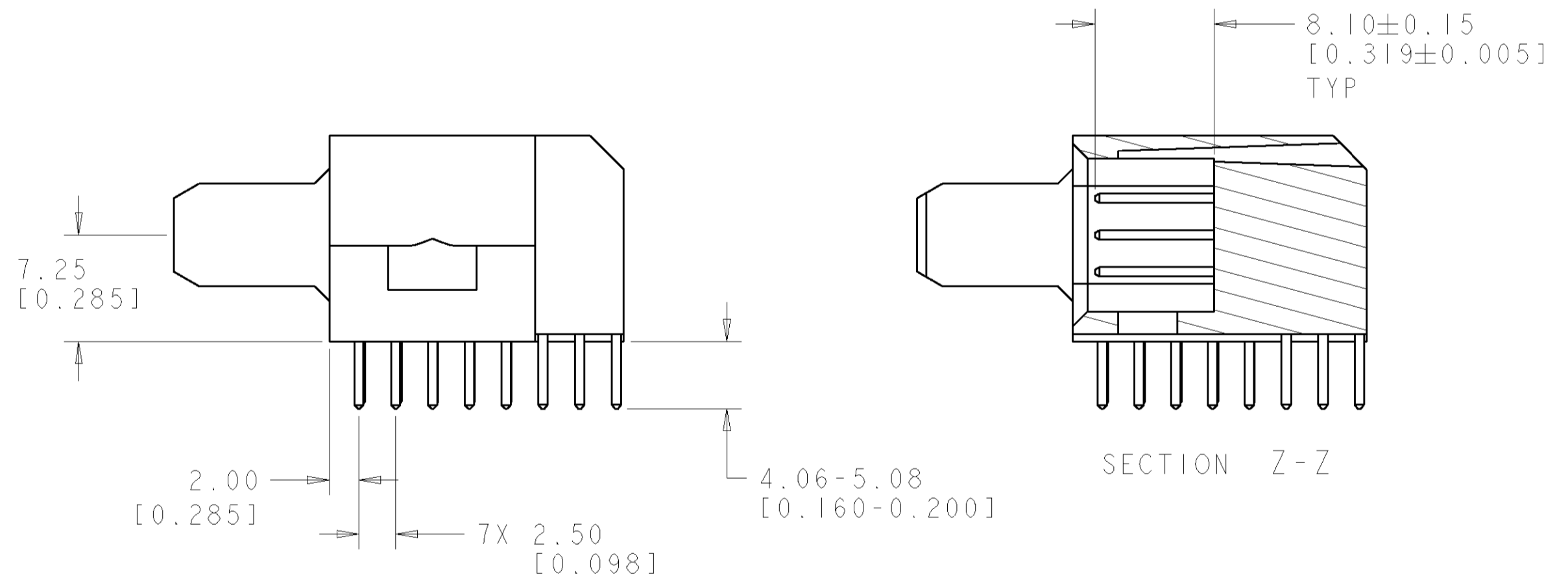
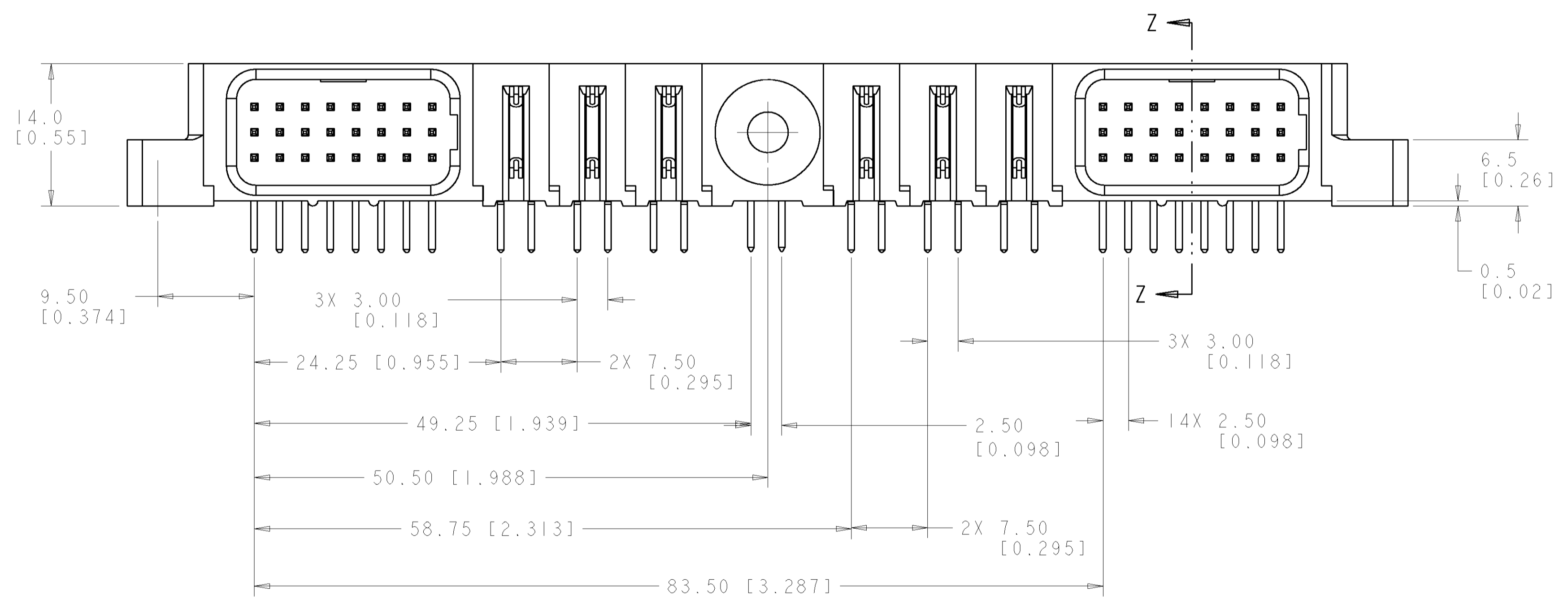
△ ITEMS PROVIDED TO THIS SPECIFICATION TO BE PERMANENTLY IDENTIFIED PER THE FOLLOWING IDENTIFIER LABEL

YEAR WEEK

TYCO PART NO. DATE CODE (e.g. 0106)

XXXXXXX-X XXXX

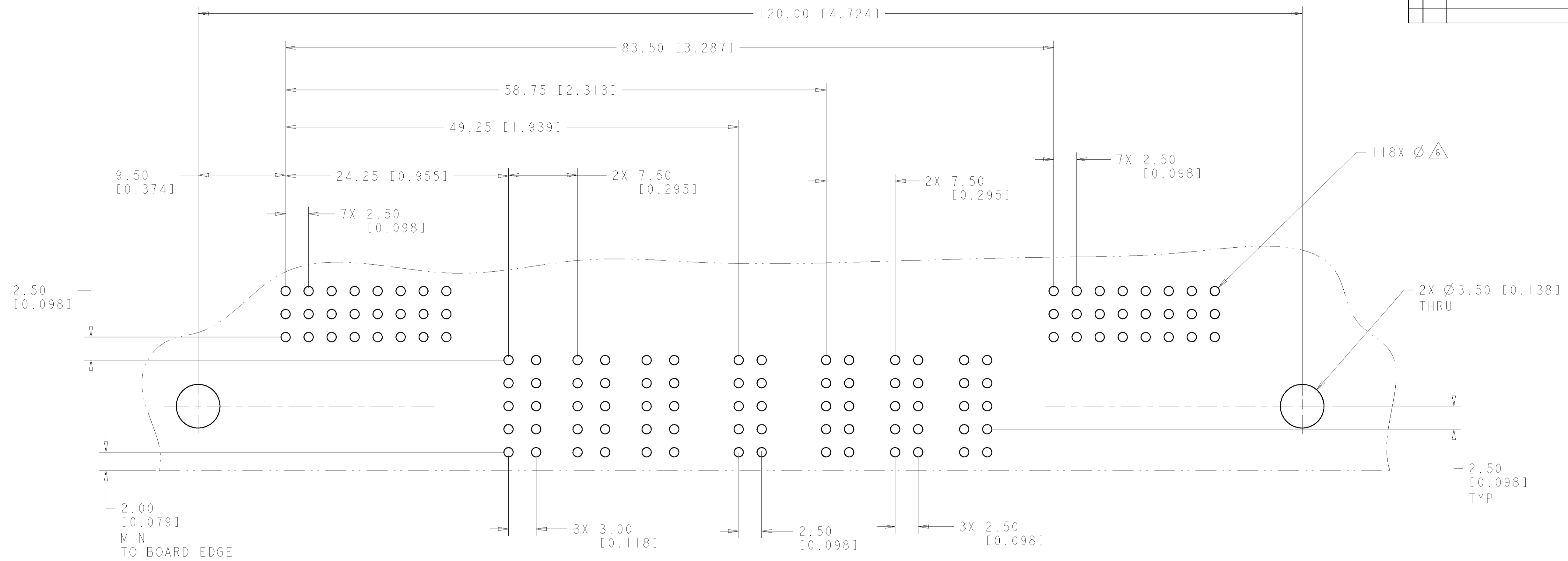
△ MOUNTING FLANGES ACCEPT M3 OR #4-40 SCREWS (USER SUPPLIES).



ELCON FLATPAQ

DIMENSIONS: mm [INCHES] TOLERANCES UNLESS OTHERWISE SPECIFIED: 0 PLC ±.5 [.020] 1 PLC ±.5 [.020] 2 PLC ±.5 [.020] 3 PLC ±.5 [.020] 4 PLC ±.5 [.020] ANGLES ±.5		DWN: R. GRZYBOWSKI 240CT06 CHK: P. DAMATO 240CT06 APVD: S. FLICKINGER 240CT06	AS SHOWN 6646887-1 DESCRIPTION PART NUMBER PIN CONNECTOR ASSEMBLY RIGHT ANGLE SOLDER TAILS
MATERIAL: - FINISH: -	WEIGHT: - CUSTOMER DRAWING	Tyco Electronics Harrisburg, PA 17105-3608 NAME: S. FLICKINGER PRODUCT SPEC: - APPLICATION SPEC: - SCALE: 4:1 SHEET 1 OF 3 REV A	RESTRICTED TO: - A 00779 C = 6646887

LOC	DIST	REV	DATE	BY	APPD
GP	00				
DESCRIPTION			DATE	BY	APPD
SEE SHEET 1			-	-	-



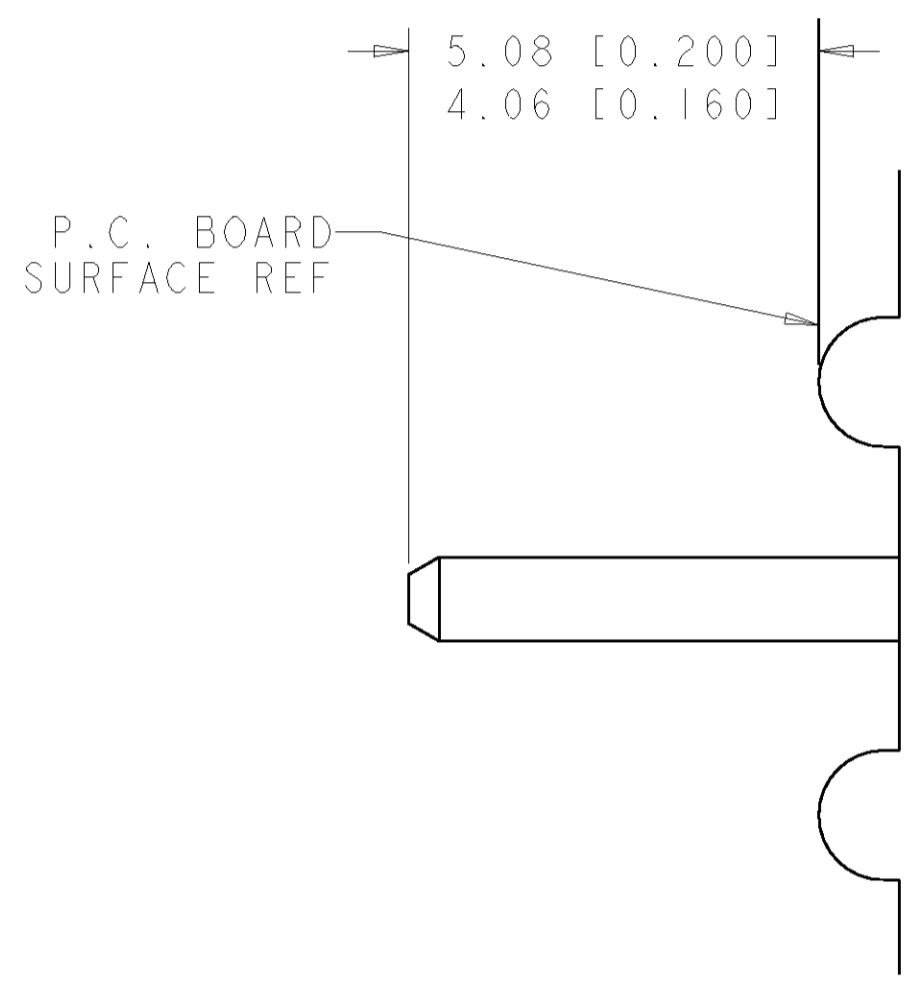
PRINTED CIRCUIT LAYOUT
 COMPONENT SIDE

CONNECTOR	CATALOG MODULE #	QTY	SIZE NO.	CONTACT QTY	MATING PIN	MAX. CURRENT (PER CONTACT)	CONTACT SPACING	VOLTAGE RATING
PIN	FP105	6	8	6	1.25 X 7.00 [.049 X .276]	35 amps	7.50 [0.2953]	250
	FP302	2	22	48	.64 [0.025] SQ.	3 AMPES	2.50 [0.0984]	125
	FP516	1	ACTIVATED RIGHT ANGLE GUIDE SOCKET					
	FP500	1	LEFT MOUNTING FLANGE					
	FP501	1	RIGHT MOUNTING FLANGE					

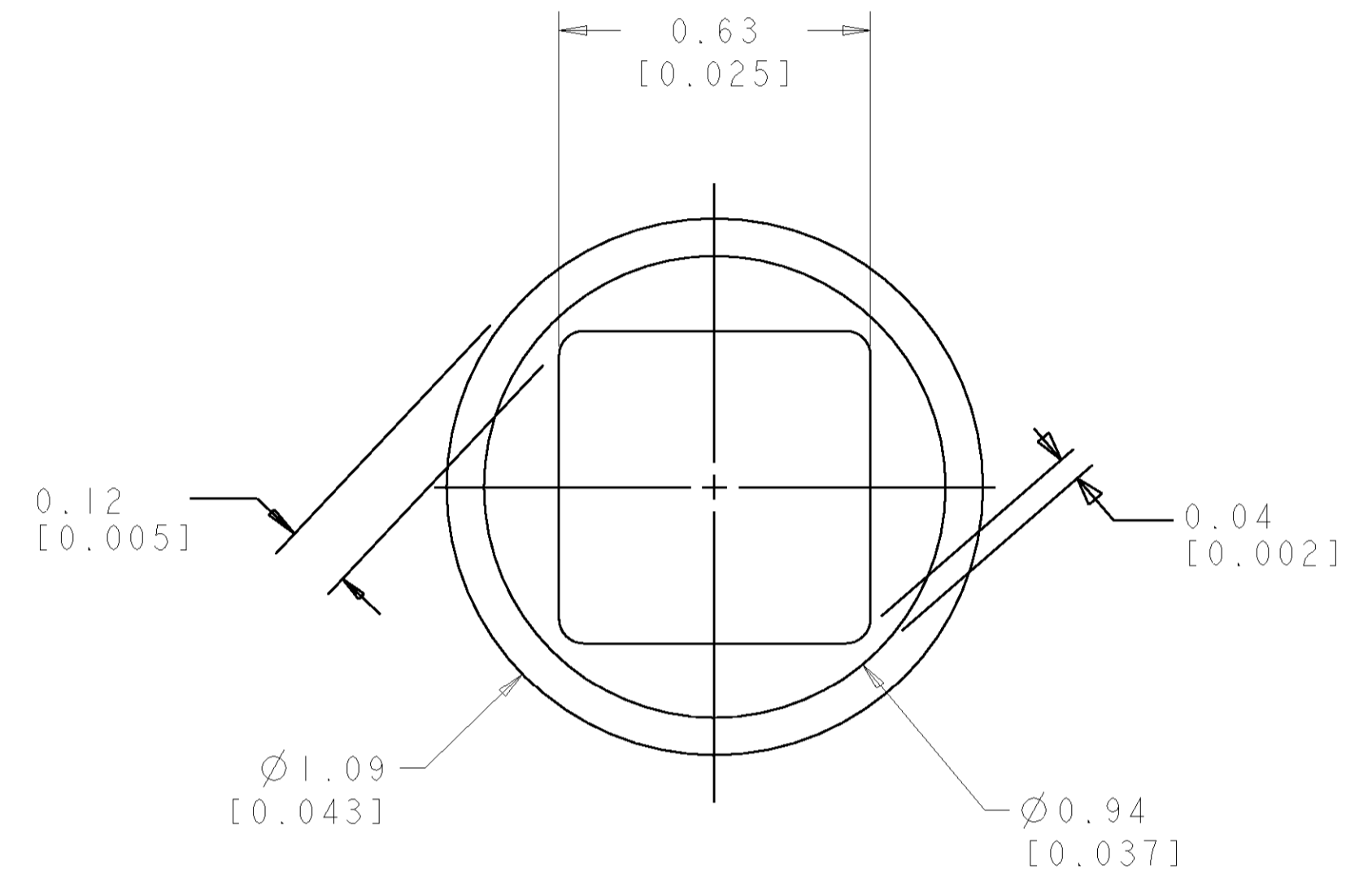
ELCON FLATPAQ

DIMENSIONS: mm [INCHES]		TOLERANCES UNLESS OTHERWISE SPECIFIED: 0 PLG ±.5 [0.020] 1 PLG ±.5 [0.020] 2 PLG ±.25 [0.010] 3 PLG ±.25 [0.010] 4 PLG ±.25 [0.010] ANGLES ±.5		DWN B. GRZYBOWSKI 240CT06 ENR P. DAMATO 240CT06 APVD S. FLICKINGER 240CT06		tyco Electronics Tyco Electronics Harrisburg, PA 17105-3608	
MATERIAL -		FINISH -		WEIGHT -		NAME PIN CONNECTOR ASSEMBLY RIGHT ANGLE SOLDER TAILS	
CUSTOMER DRAWING				SCALE 4:1		SHEET 2 OF 3	

LOC	DIST	REVISIONS			
P	LTR	DESCRIPTION	DATE	DNW	APVD
-	-	SEE SHEET 1	-	-	-



6. SOLDER TAIL DETAIL
SCALE 10 : 1



⚠ SOLDER TERMINATION AREA
 SCALE 40:1
 RECOMMENDED PRINTED CIRCUIT HOLE
 SOLDER
 FINISHED HOLE: Ø1.02 [.040] ±.008 [.0003]
 DRILLED HOLE: Ø1.15 [.0453] ±.013 [.0005]
 COPPER PLATE: .025 [.0010] MIN
 TIN PLATE: .008 [.0003] MIN. (PER SURFACE)

<small>THIS DRAWING IS UNPUBLISHED. RELEASED FOR PUBLICATION. ALL RIGHTS RESERVED. © 2006 BY TYCO ELECTRONICS CORPORATION. THIS DRAWING IS THE PROPERTY OF TYCO ELECTRONICS CORPORATION. IT IS TO BE USED ONLY FOR THE PURPOSES AND CONDITIONS SPECIFIED IN THE DRAWING. NO PARTS OF THIS DRAWING ARE TO BE REPRODUCED OR TRANSMITTED IN ANY FORM OR BY ANY MEANS, ELECTRONIC OR MECHANICAL, INCLUDING PHOTOCOPYING, RECORDING, OR BY ANY INFORMATION STORAGE AND RETRIEVAL SYSTEM, WITHOUT PERMISSION IN WRITING FROM TYCO ELECTRONICS CORPORATION.</small>		DWN B. GRZYBOWSKI 240CT06 ENR P. DAMATO 240CT06 APVD S. FLICKINGER 240CT06	tyco Electronics Tyco Electronics Harrisburg, PA 17105-3608
DIMENSIONS: mm [INCHES]	TOLERANCES UNLESS OTHERWISE SPECIFIED: 0 PLC ± 1 PLC ±.5 [.020] 2 PLC ±.25 [.010] 3 PLC ± 4 PLC ± ANGLES ±.5 FINISH	NAME S. FLICKINGER PRODUCT SPEC - APPLICATION SPEC - WEIGHT - CUSTOMER DRAWING	PIN CONNECTOR ASSEMBLY RIGHT ANGLE SOLDER TAILS SIZE CAGE CODE DRAWING NO RESTRICTED TO A 100779 C=6646887 - SCALE 4:1 SHEET 3 OF 3 REV A