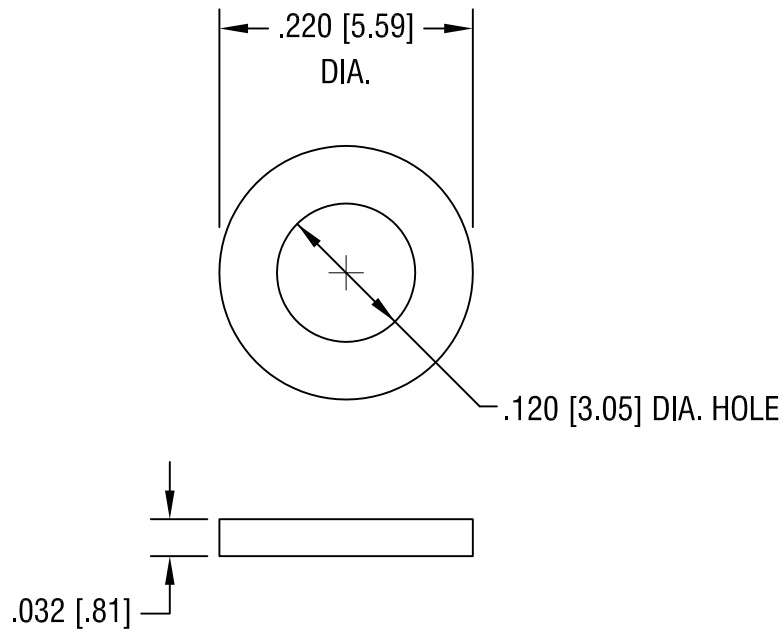


THIS DOCUMENT IS THE PROPERTY OF  
 KEYSTONE ELECTRONICS CORP. AND  
 SHALL NOT BE REPRODUCED, DISTRIBUTED  
 OR USED AS A BASIS FOR MANUFACTURE  
 WITHOUT PRIOR WRITTEN PERMISSION  
 FROM KEYSTONE ELECTRONICS CORP.



<b>KEYSTONE ELECTRONICS CORP.</b>			
ASTORIA, N.Y. 11105-2017			
PART NAME		FLATWASHER	
MATERIAL		.032 [0.81] TH'K STEEL	
FINISH		DRN BY	DATE
ZINC PLATE CLEAR CHROMATE		BOONE	1.9.96
		APP'D	SCALE
		LN	6X
TOLERANCES		INCH	[MM]
DECIMAL		± .005	[± 0.15 ]
ANGULAR		± 1°	
UNLESS OTHERWISE SPECIFIED		CODE	DWG NO.
		C/M	<b>7235-1</b>

DATE	DESCRIPTION	REV.
------	-------------	------