

MICRO SWITCH

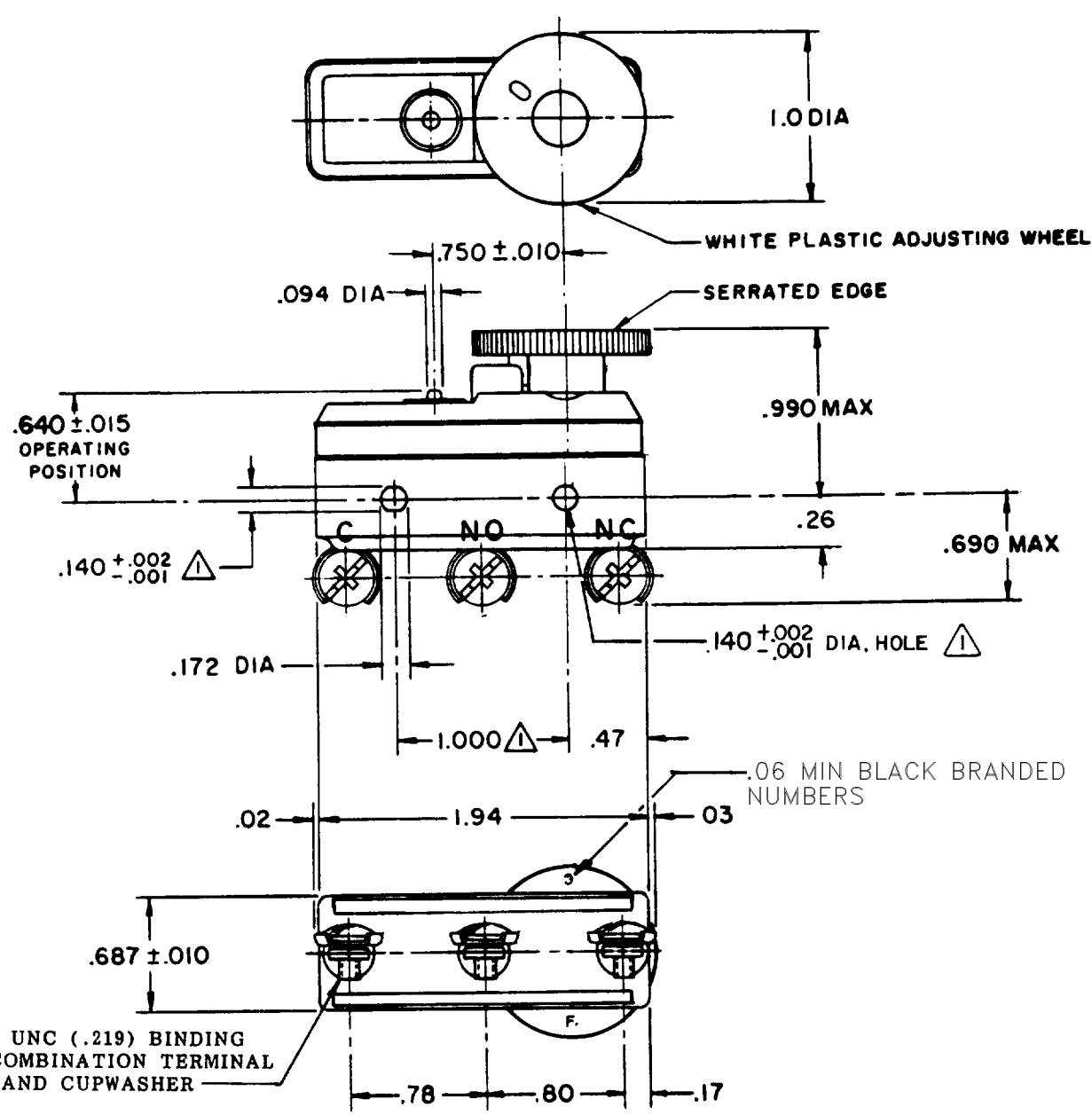
FREERPORT ILLINOIS, U.S.A.
A DIVISION OF HONEYWELL
FED. MFG. CODE 91929

SWITCH - BASIC

CATALOG LISTING

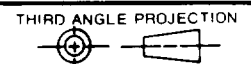
10BS217

FORMTEK
 DRAWN
 K SW 7 JAN 76
 CHECK USD
 8 JAN 76
 CHECK
 REVISIONS
 A C080053
 JALA
 5 APR 95
 ISSUE
 7
 DRAWING NUMBER
 M
 10BS217
 REPLACES
 PR - 5433
 RELEASE NO.



NOTE -
 ▲ MOUNTING HOLES WILL ACCEPT PINS OR SCREWS OF .139 MAX ON 1.000 ± .002 CENTERS
 2 - DIAL WHEEL IS SHOWN AT THE MAX SETTING OF BREAK DISTANCE
 3 - DIAL WHEEL ROTATION 300°

THIS DRAWING COVERS A PROPRIETARY ITEM AND IS THE PROPERTY OF MICRO SWITCH, A DIVISION OF HONEYWELL. THIS DRAWING IS NOT TO BE COPIED OR USED WITHOUT THE APPROVAL OF MICRO SWITCH.



CHARACTERISTICS	
AT MIN SETTING	
OPERATING FORCE	----- 11-20 OZ
RELEASE FORCE	----- 10 OZ MIN
DIFFERENTIAL TRAVEL	----- .0015-.0025
AT MAX SETTING	
DIFFERENTIAL TRAVEL	----- .007 MIN
OVERTRAVEL	----- .010 MIN

ELECTRICAL DATA	
CONTACT ARRANGEMENT S P D T	
L17	
20A 125, 250 OR 480 VAC 3/4 HP 125 VAC, 1 1/2 HP 250 VAC	

SCALE FULL			
DO NOT SCALE PRINT			
TOLERANCES			
APPLY TO DESIGN UNITS. CONVERSIONS ARE ONLY FOR REFERENCE. UNLESS NOTED, TOLERANCES ARE ±			
	DIM. mm	TOL. mm/in	
NO PLACES	X	1/64	X X 0.8/03
ONE PLACE	X.X	0.4/018	X.XX 0.38/015
TWO PLACES	X.XX	0.18/009	X.XXX 0.13/005
THREE PLACES	X.XXX		
ANGLES			
DESIGN UNITS	<input type="checkbox"/> SI METRIC	<input checked="" type="checkbox"/> US CUSTOMARY	
WEIGHT			