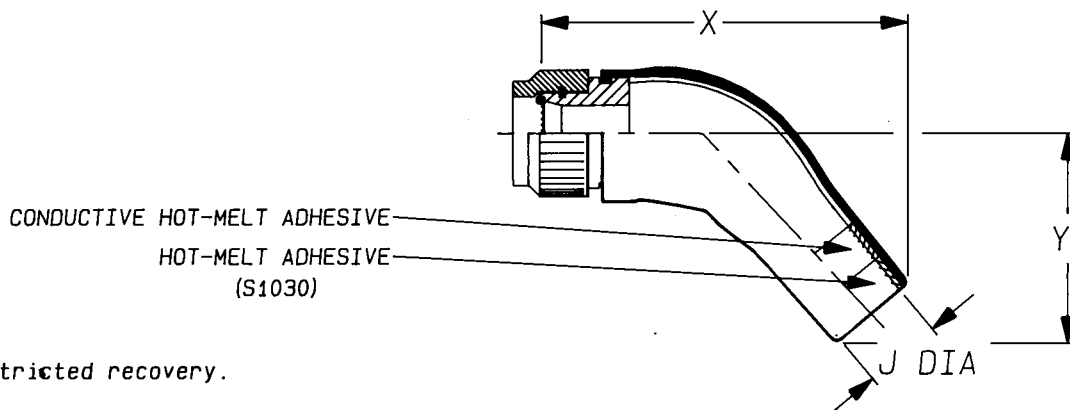
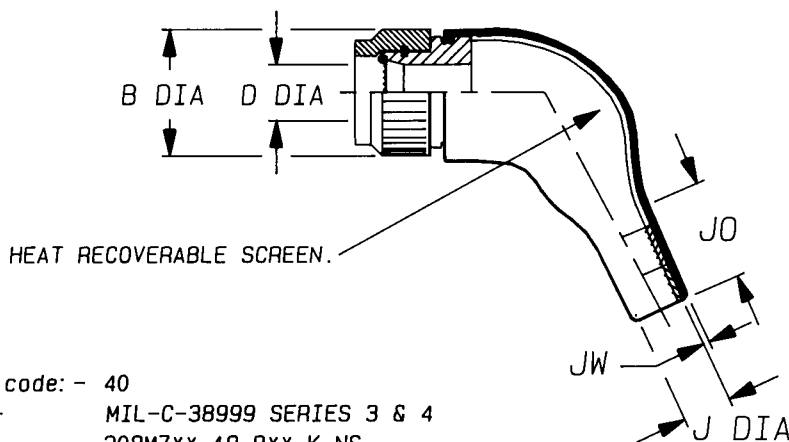


a) Part as supplied.

KTKK 1120-1128



b) Part after unrestricted recovery.



Raychem connector code: - 40
 Connector Series: - MIL-C-38999 SERIES 3 & 4
 Adaptor Series: - 208M7**-19-B**-K-NS
 Moulded Part Material: - -25S

Kits to include cleaning tissue, 1 piece 100 grit emery cloth & packing piece.
 Kit to be used in conjunction with installation guide for 90 & 45 deg. assemblies.

Dimensions (in millimetres.)

Part No.	SHELL SIZE	B	D	J		JO	JW	X	Y
		DIA MAX	DIA MIN	MIN a	MAX b	REF b	±30% b	±20% a	±20% a
KTKK 1120	A	19.2	6.2	7	5.0	15	1.0	57	23
KTKK 1121	B	21.7	9.3	9	6.0	17	1.0	64	29
KTKK 1122	C	25.5	12.8	11	7.2	18	1.0	70	29
KTKK 1123	D	29.3	14.1	11	7.2	18	1.0	70	29
KTKK 1124	E	31.9	18.8	17	8.5	20	1.0	81	36
KTKK 1125	F	35.7	18.8	17	8.5	20	1.0	81	36
KTKK 1126	G	38.2	23.6	21	10.0	28	1.5	97	45
KTKK 1127	H	42.0	23.6	21	10.0	28	1.5	97	45
KTKK 1128	J	44.6	30.9	29	15.8	31	1.5	118	59

Copyright (!)

Urheberrechte

The copyright in this drawing is the property of Raychem Ltd. The drawing is issued on condition that it is not copied, reproduced or disclosed to a third party, either in whole or in part without the prior written consent of Raychem Ltd.

Drawn A.LILLEY. Checked *AL* Issue 4 Date April 1995

Conforms to ISO Recommendations
3rd Angle Projection
Not to Scale

Approval
Design

MKTG.

Q.C.

AALS

AL

AL

