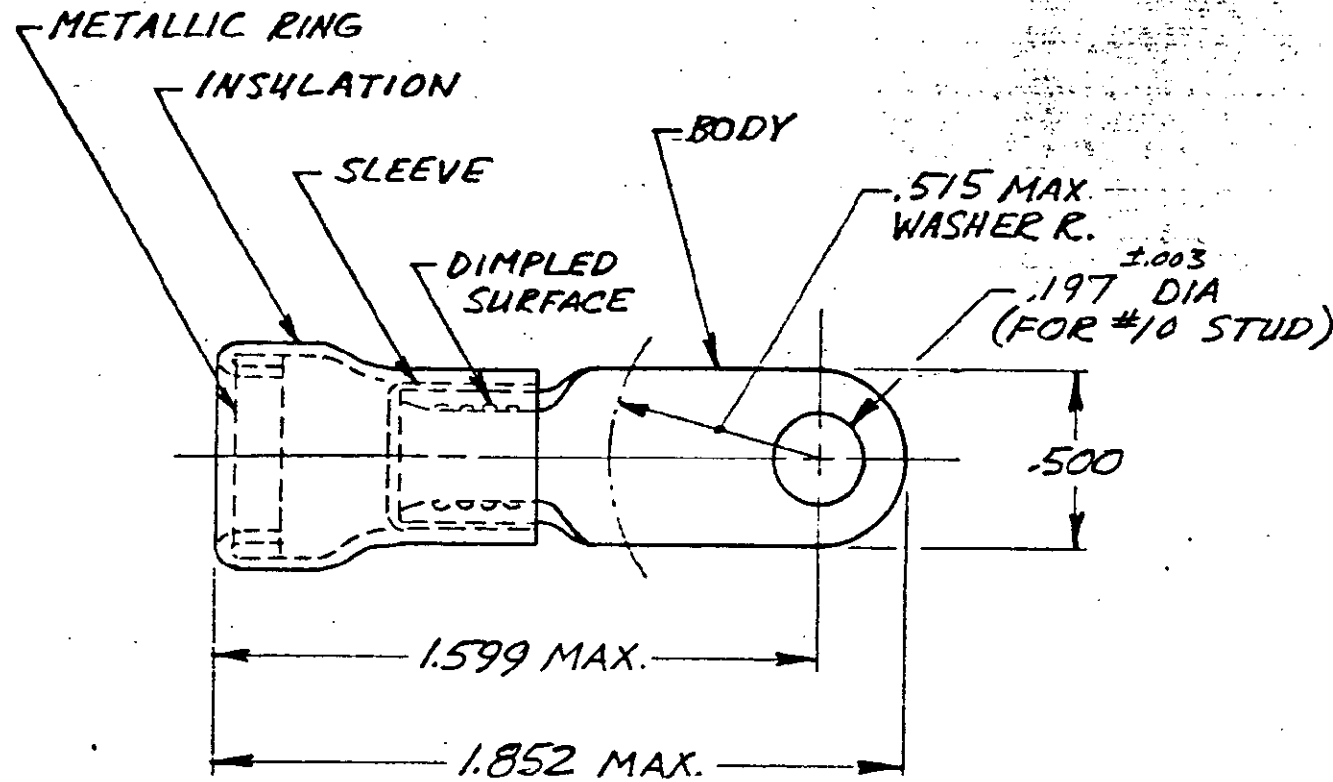



© COPYRIGHT 1953 BY AMP INCORPORATED, HARRISBURG, PA.
 ALL INTERNATIONAL RIGHTS RESERVED. AMP INCORPORATED PRODUCTS
 COVERED BY U. S. AND FOREIGN PATENTS AND/OR PATENTS PENDING.

		REVISIONS				
P	F	ZONE	LTR	DESCRIPTION	DATE	APPROVED
✓	✓		D	REDRAWN & REVISED PER BEN P-7004	11/23/78	ALM
✓	✓		E	REV. G-4680	7MS 5-2-88	JT
			F	OBS 2--1 PER 0720-0939-96	5/96	DKS DMS



FOR 377 MAX. WIRE INS. DIA.
 TONGUE MATERIAL THK. = .045 ±.003

1	WIRE TERMINAL	OBSOLETE 2-322050-1	BODY: COPPER (QQ-C-576) TIN PL (MIL-T-10727) INSULATION: PVC COLOR: BLUE METALLIC RING: STEEL (QQ-S-898) SLEEVE: COPPER (QQ-C-576)	322050	
QTY.	DESCRIPTION	PART. No ON TAPE	MATERIALS & FINISH	PART NO	
UNLESS OTHERWISE SPECIFIED DIMENSIONS ARE IN INCHES. TOLERANCES ON: DECIMALS ± .008 ANGLES ± 5°		CONTRACT NO	 AMP INCORPORATED Harrisburg, Pa.		
MATERIAL SEE TABLE		DR L.E. BRUNN 11/23/78 CHK J.H. MILLER 11/24/78			NAME TERMINAL AMPLI-BOND - RING TONGUE WIRE SIZE: 6
FINISH SEE TABLE		APPD APPD DSGN APPD J.H. Brunson 11/24/78 OTHER APPD	SIZE B	CODE IDENT NO 00779	DRAWING NO 322050
		SCALE N.T.S.	SHEET 10/1		