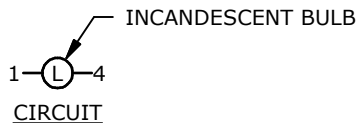
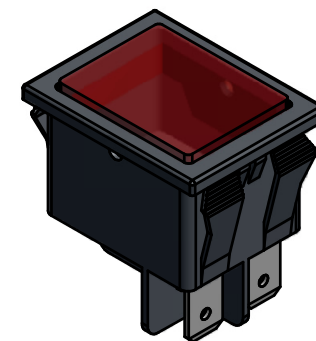
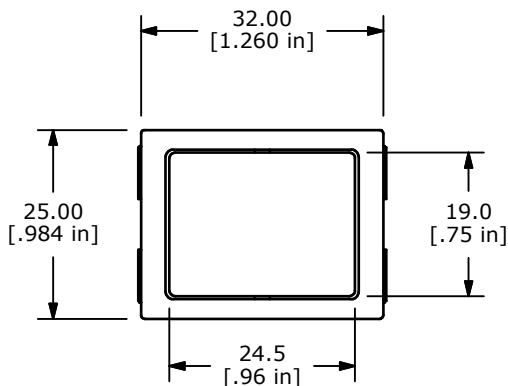
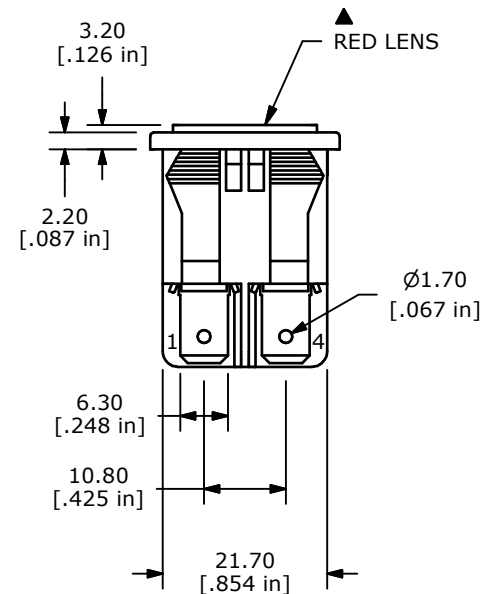
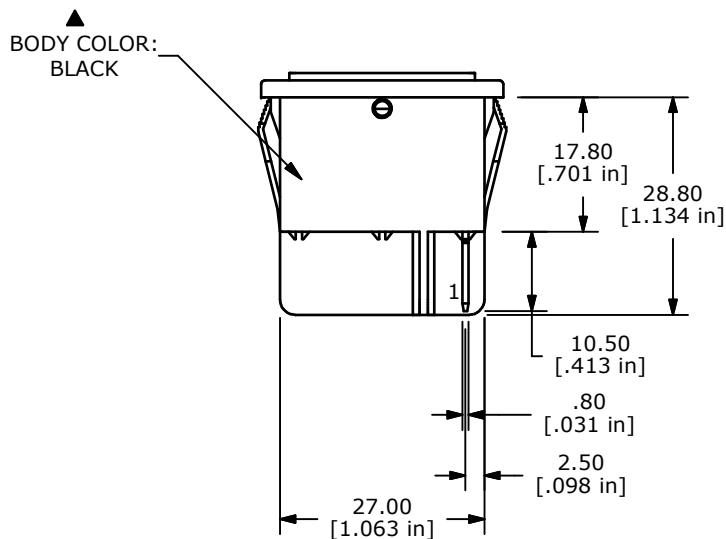


PANEL CUTOUT

PANEL THICKNESS	(x)
0.75 - 1.25	30.0
1.25 - 2.00	30.2
2.00 - 3.00	30.5



- NOTE:
1. DIMENSIONS IN MM [INCH]
 2. GENERAL TOLERANCE: X.X = ± 0.4
X.XX = ± 0.25
 3. TERMINAL NUMBERS FOR REF ONLY
 4. CONTACT MATERIAL: SILVER
 5. OPERATING TEMPERATURE: -20°C TO 55°C [cURus]
 6. ▲ DENOTES CRITICAL PARAMETER
 7. 2002/95/EC (ROHS) COMPLIANT
 - ▲ 8. INCANDESCENT BULB VOLTAGE: 12V



TITLE RB24001000-114

A	20948	RELEASE FOR PRODUCTION	12/31/12	EBP
REV	PCR NO	DESCRIPTION	DATE	BY

THE INFORMATION CONTAINED IN THIS DOCUMENT IS PROPRIETARY TO E-SWITCH AND IS NOT TO BE COPIED OR TRANSFERRED

SCALE	DATE 12/31/2012	DR EBP	DWG 38-RB24001000114	REV A
-------	--------------------	-----------	-------------------------	----------