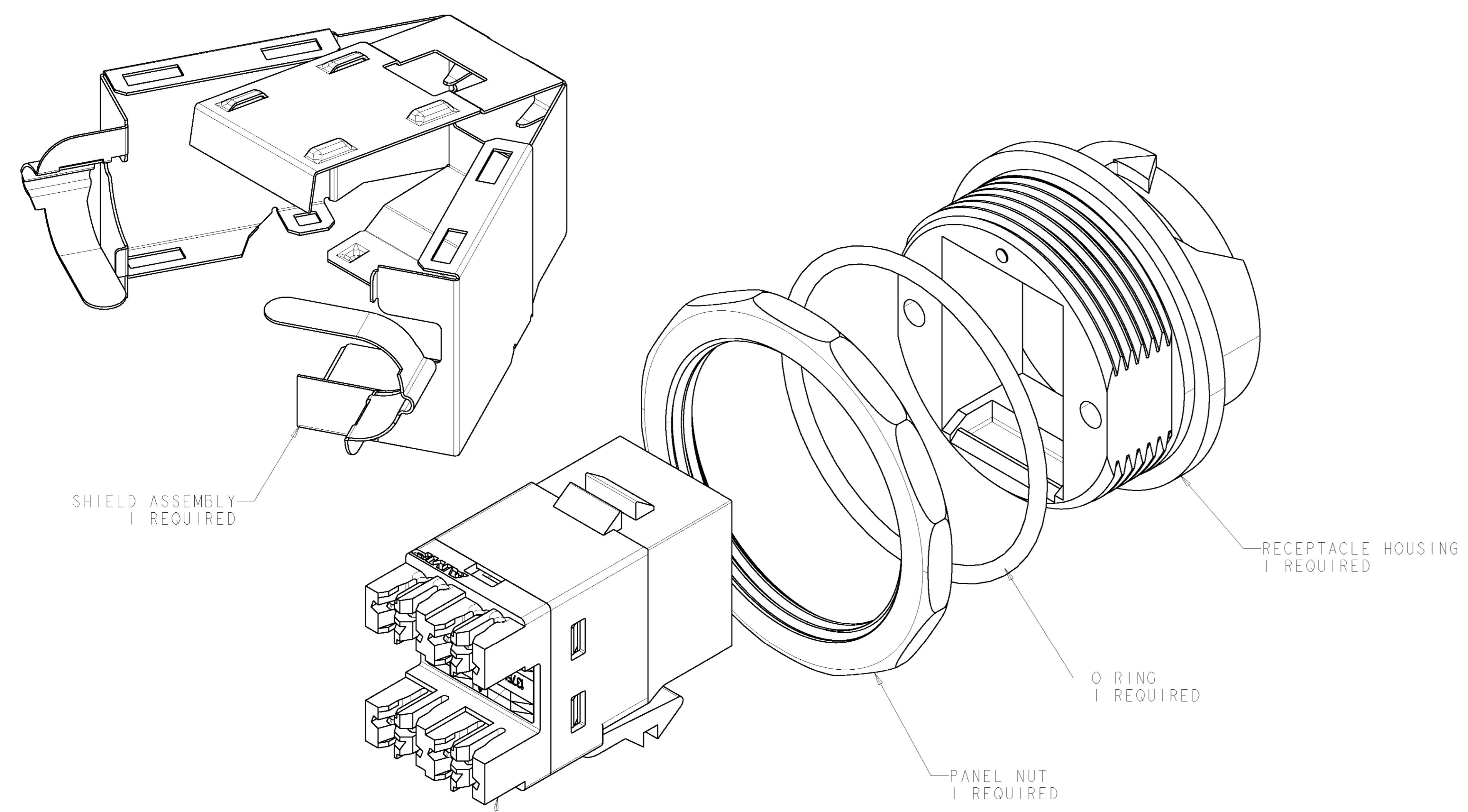


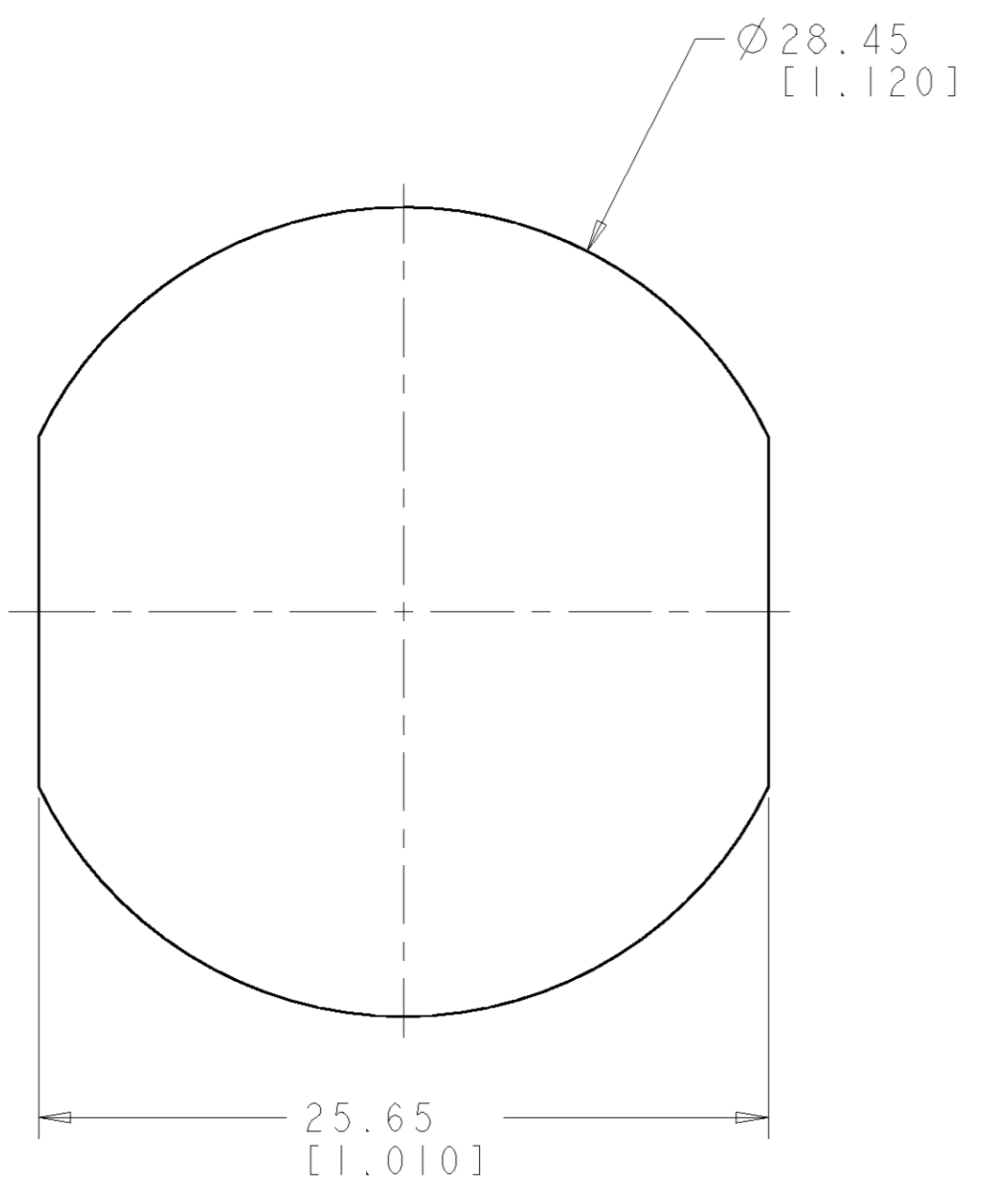
LOC		DIST		REVISIONS			
		P	LTR	DESCRIPTION	DATE	DWN	APVD
	HM		00	A	RLSD - NSD03-078	21NOV03	LH CD
				B	REV: EC 0840-0023-04	17FEB04	GG MD



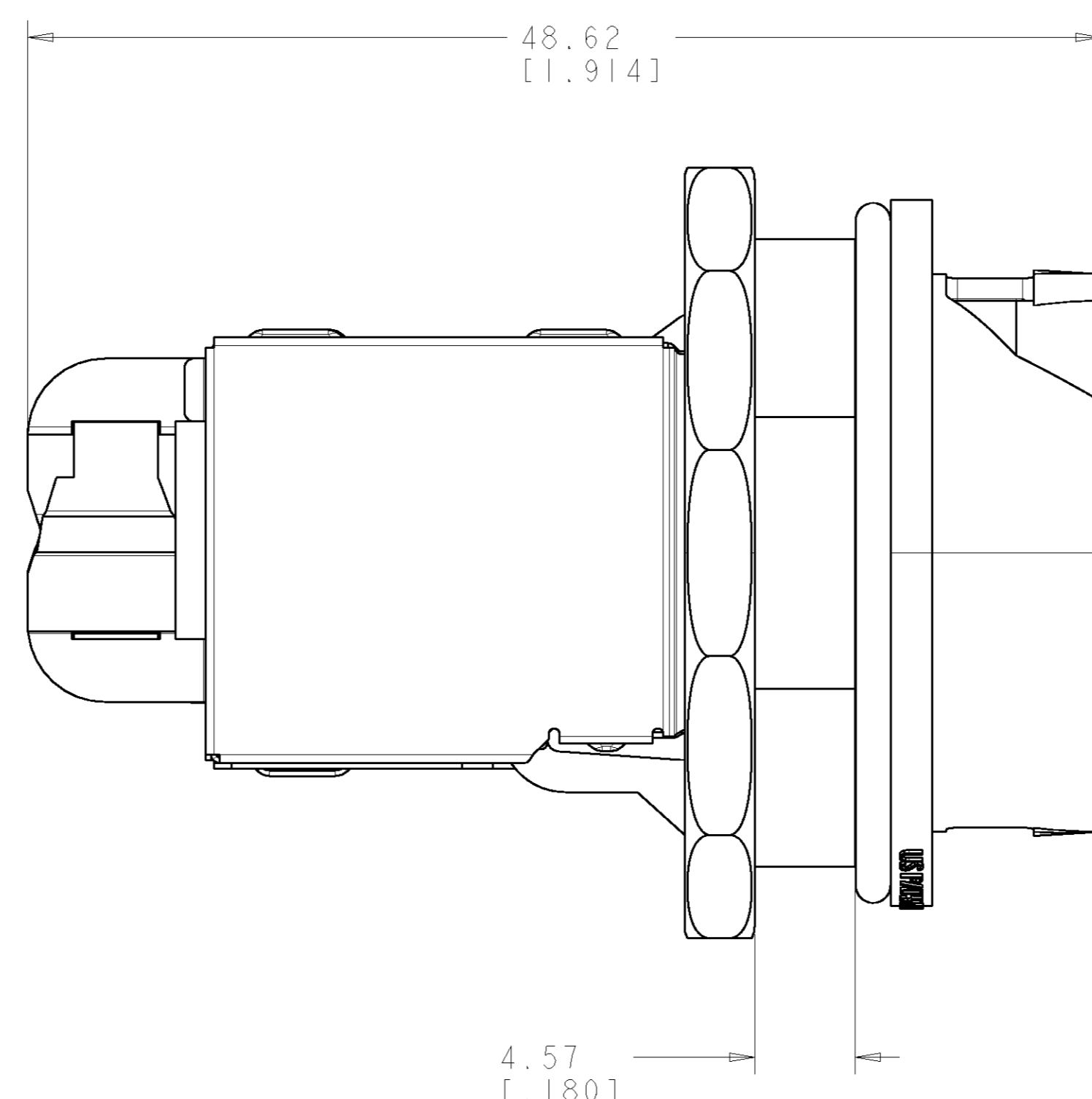
△ MATERIAL: JACK HOUSING - POLYPHENYLENE OXIDE, 94V-0 RATED.
 ARRAY TRAY - PBT POLYESTER.
 110 BLOCK - POLYCARBONATE.
 JACK CONTACTS - BERYLLIUM COPPER, PLATED WITH 1.27µm [.000050] MINIMUM THICK GOLD IN LOCALIZED AREA AND 3.81µm [.000150] MINIMUM THICK TIN-LEAD IN SOLDER AREA OVER 1.27µm [.000050] MINIMUM THICK NICKEL UNDERPLATE.
 SHIELD - COPPER ZINC ALLOY 260 PREPLATED WITH BRIGHT NICKEL.
 IDC TERMINALS - PHOSPHOROUS BRONZE, PLATED WITH 3.81µm [.00015] MINIMUM THICK BRIGHT TIN-LEAD OVER 1.27µm [.00005] MINIMUM THICK NICKEL UNDERPLATE.
 RECEPTACLE HOUSING - PBT, 94V-0 RATED.
 O-RING SEALS - BUNA.
 PANEL NUT - NICKEL PLATED BRASS.

- SL 110 JACK WILL TERMINATE 22-24 AWG SOLID CONDUCTORS AND 24 AWG STRANDED CONDUCTORS, 1.14 [.045] MAXIMUM INSULATION DIAMETER.
- △ SUGGESTED PANEL CUTOUT OPENING.
 △ PACKAGED ONE MODULAR JACK, ONE SHIELD, ONE O-RING, ONE ETHERSEAL HOUSING, AND ONE PANEL NUT, PER POLYBAG. KIT SHIPPED NOT ASSEMBLED.
 △ REFER TO INSTRUCTION SHEET 408-8602 FOR JACK TERMINATION ASSEMBLY INSTRUCTIONS AND 408-8875 FOR ETHERSEAL RECEPTACLE KIT ASSEMBLY INSTRUCTIONS.

SL 110
 CAT 5E JACK
 PART NUMBER 1375189-1
 △ 5 1 REQUIRED



RECOMMENDED PANEL CUTOUT
 SCALE 4:1 △ 3



4.57
 [.180]
 MAXIMUM RECOMMENDED
 PANEL THICKNESS

DIMENSIONS:		TOLERANCES UNLESS OTHERWISE SPECIFIED:		DWN		19NOV03		BLACK		△ 1479564-2	
MM [INCHES]		0 PLC ±		L HALL		21NOV03		COLOR		PART NUMBER	
		1 PLC ±		C DOOLEY		21NOV03				Tyco Electronics	
		2 PLC ±		C DOOLEY		21NOV03				Harrisburg, PA 17105-3608	
		3 PLC ±		C DOOLEY		21NOV03		NAME KIT, ETHERSEAL, SHIELDED, CAT 5E SL 110 JACK, FRONT MOUNT, BLACK		RESTRICTED TO	
		4 PLC ±		C DOOLEY		21NOV03		SIZE CAGE CODE DRAWING NO		-	
		ANGLES ±		C DOOLEY		21NOV03		A 00779 C=1479564		-	
MATERIAL		FINISH		WEIGHT		-		SCALE 4:1 SHEET 1 OF 1 REV B		-	
-		-		CUSTOMER DRAWING		-		-		-	