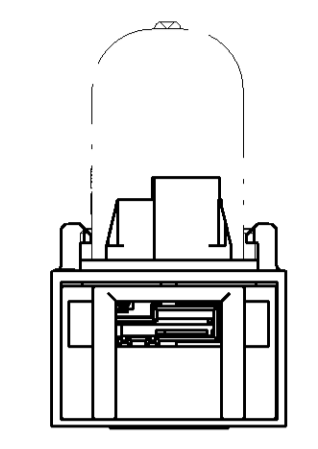


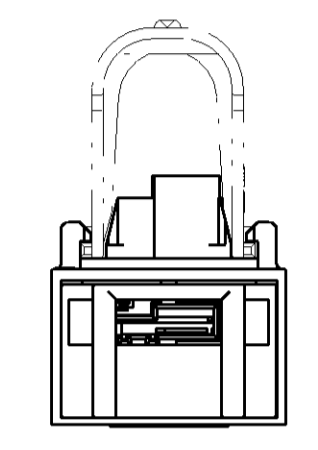
SECTION B-B

SECTION J-J

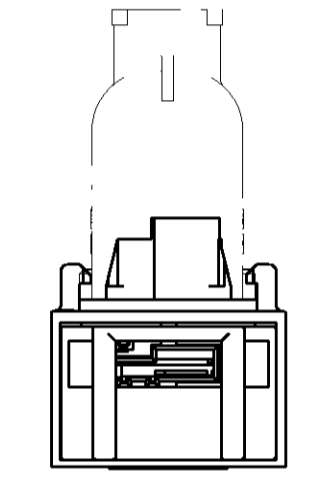
SECTION F-F



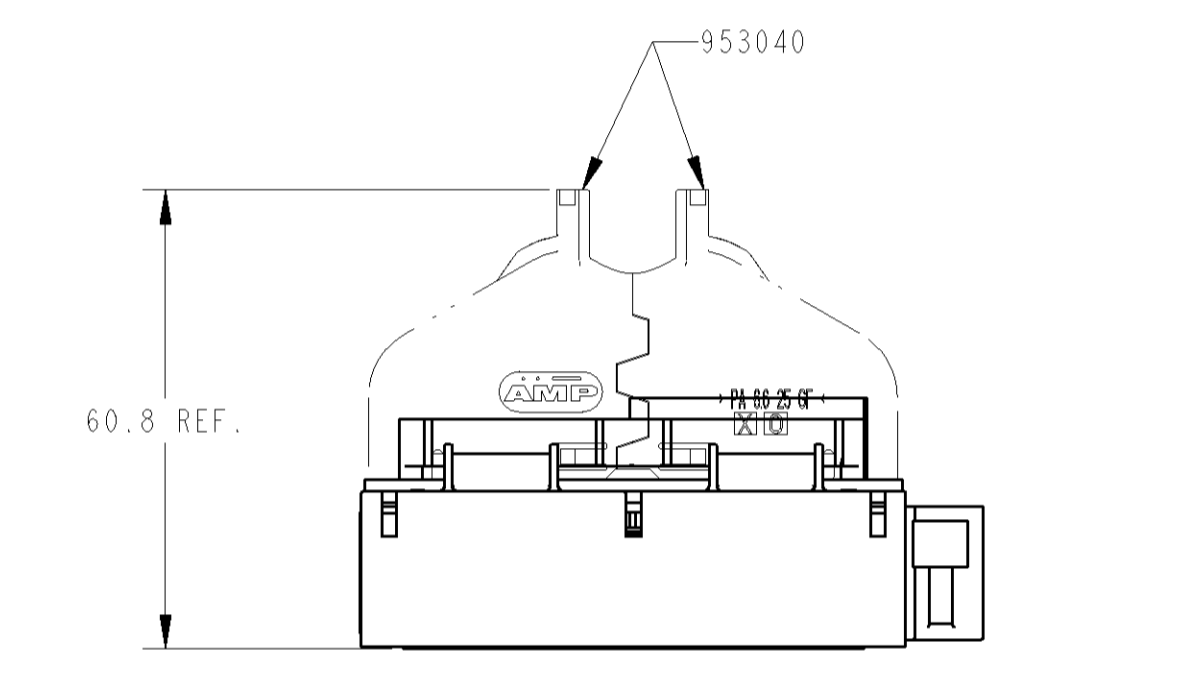
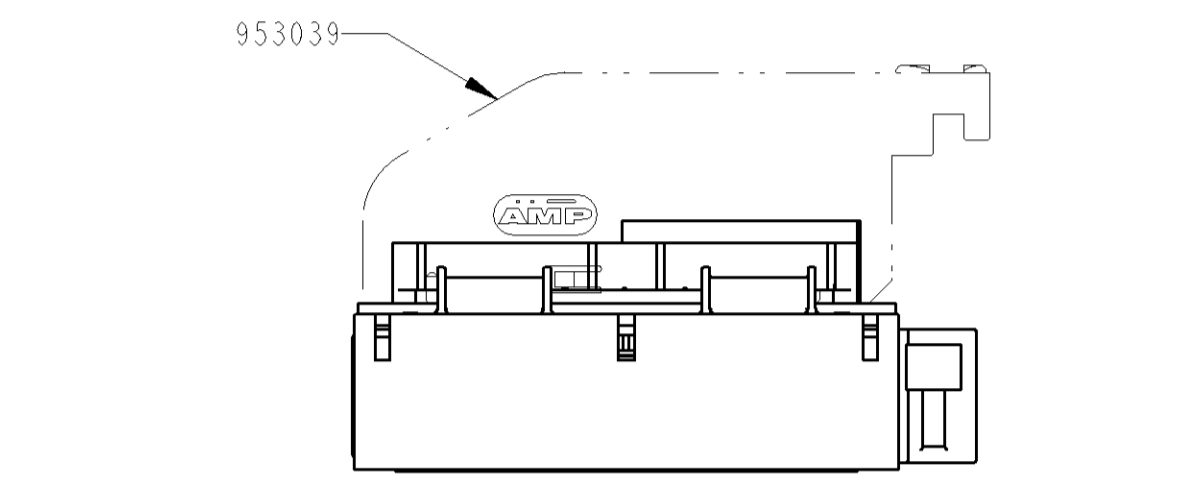
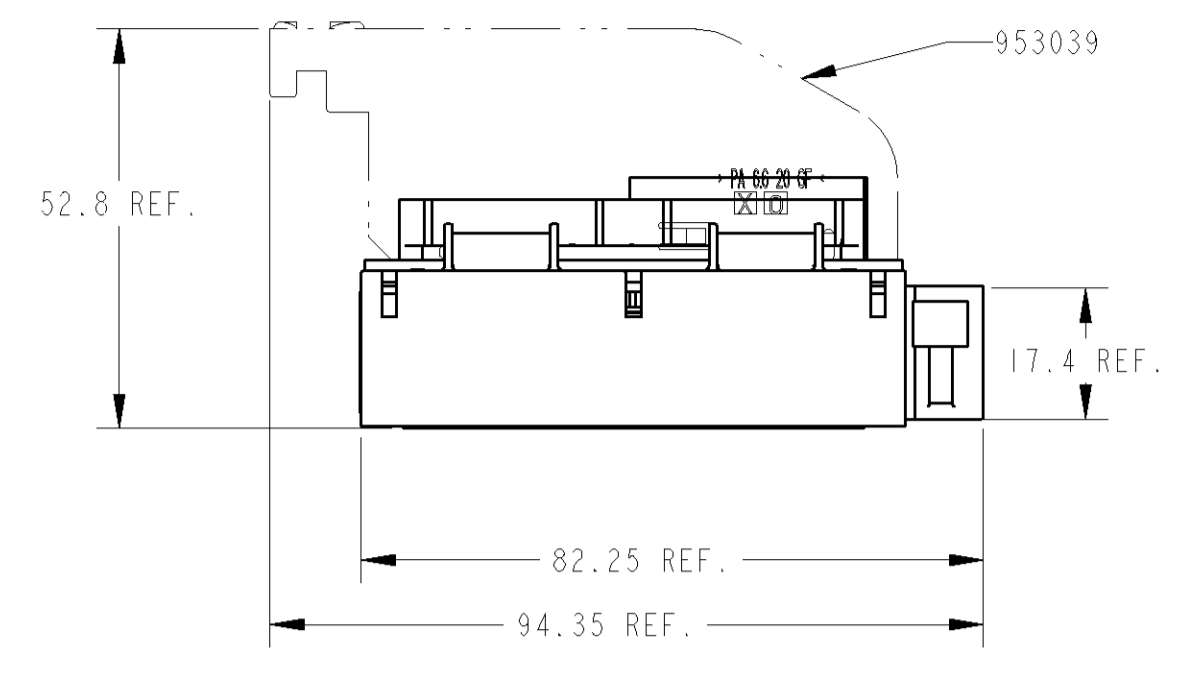
COVER LEFT EXIT (CAPOT SORTIE GAUCHE)



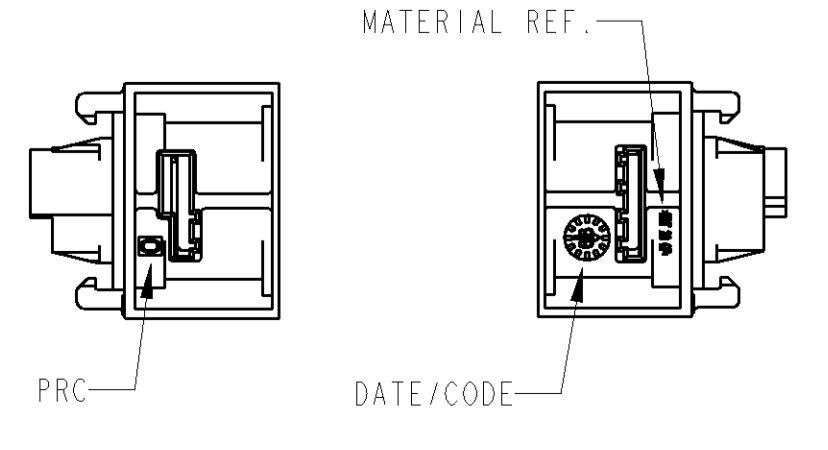
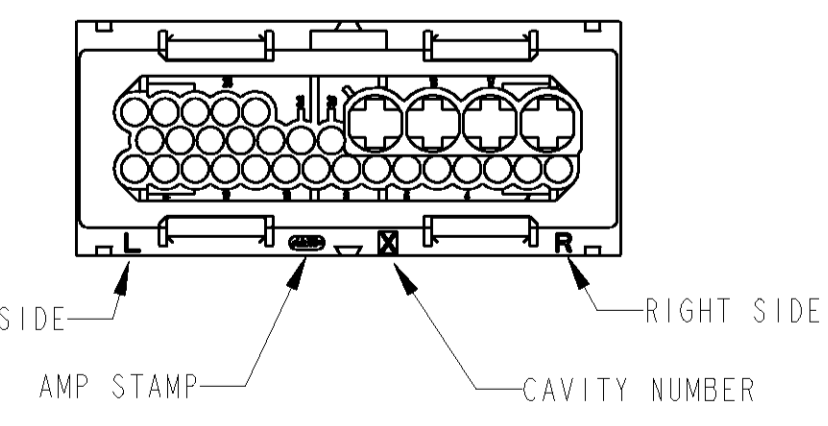
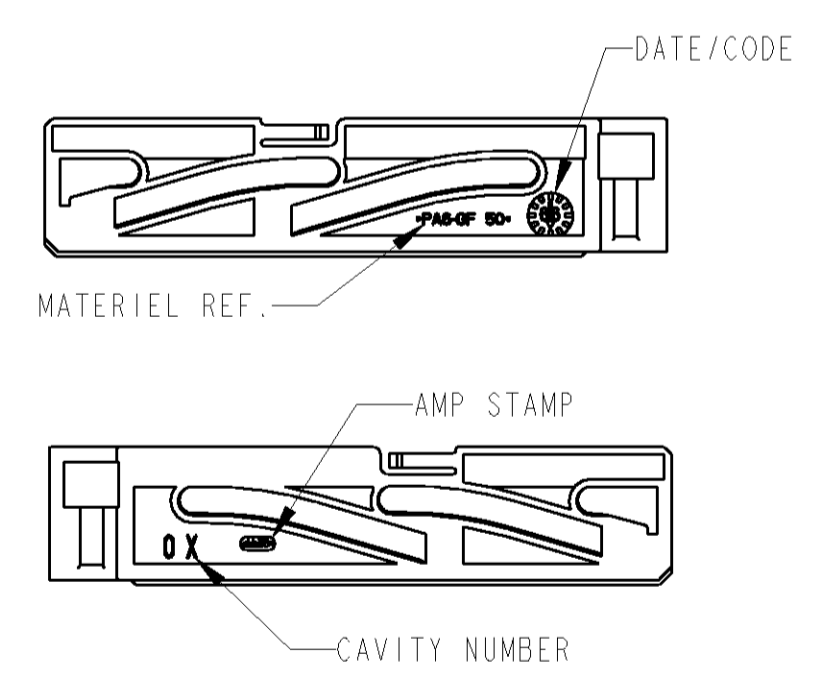
COVER RIGHT EXIT (CAPOT SORTIE DROITE)



COVER VERTICAL EXIT (CAPOT SORTIE VERTICALE)



Part Number	Color	Material	Short Circuit	Coding	Front View
1-953041-4	NONE AUCUNE	PBT 20% GF PBT 20% FV	YES OUI	CODING 1 CODAGE 1	
1-953041-2	4 - 10 - 12 - 13 22 - 23 - 24 - 25 26 - 27 - 28 - 29 30 - 31	PBT 20% GF PBT 20% FV	NO NON	CODING 2 CODAGE 2	
1-953041-1	4 - 10 - 12 - 13 22 - 23 - 24 - 25 26 - 27 - 28 - 29 30 - 31	PBT 20% GF PBT 20% FV	YES OUI	CODING 1 CODAGE 1	
953041-8	3 - 10 - 22 - 23 24 - 25 - 26 - 29	PBT 20% GF PBT 20% FV	YES OUI	CODING 1 CODAGE 1	
OBSOLETE 953041-7	3 - 10 - 22 - 23 24 - 25 - 26 - 29	PBT 20% GF PBT 20% FV	YES OUI	CODING 1 CODAGE 1	
OBSOLETE 953041-6	27 - 28 - 29 30 - 31	PBT 20% GF PBT 20% FV	NO NON	CODING 2 CODAGE 2	
953041-5	10 - 12 - 13 - 23 24 - 25 - 26 - 27 28 - 29 - 30 - 31	PBT 20% GF PBT 20% FV	NO NON	CODING 2 CODAGE 2	
OBSOLETE 953041-4	12 - 28 - 29 - 27 28 - 29 - 30 - 31	PBT 20% GF PBT 20% FV	NO NON	CODING 2 CODAGE 2	
953041-3	10 - 12 - 13 - 23 24 - 25 - 26 - 27 28 - 29 - 30 - 31	PBT 20% GF PBT 20% FV	YES OUI	CODING 1 CODAGE 1	
953041-2	27 - 28 - 29 30 - 31	PBT 20% GF PBT 20% FV	YES OUI	NEUTRAL NEUTRE	
953041-1	NONE AUCUNE	PBT 20% GF PBT 20% FV	YES OUI	NEUTRAL NEUTRE	



QTE COMPOSANT	COULEUR	MATIERE	DESIGNATION	P/N	REP
	NATUREL	INOX DORE	SHUNT	953165-1	5
	ROUGE	SILICONE	JOINT	953066-2	4
	ROUGE	PA6 50% FV	ETRIER	953046-2	3
	NOIR	PBT 20% FV	BOITIER	953045-9	2
	NOIR	PBT 20% FV	BOITIER	953045-6	2
	NOIR	PBT 20% FV	BOITIER	953045-4	2
	NOIR	PBT 20% FV	BOITIER	953045-3	2
	NOIR	PBT 20% FV	BOITIER	953045-2	2
	NOIR	PBT 20% FV	BOITIER	953045-1	2
	NOIR	PBT 20% FV	PORTE CLIPS	953034-3	1
	NOIR	PBT 20% FV	PORTE CLIPS	953034-2	1
	NOIR	PBT 20% FV	PORTE CLIPS	953034-1	1

TORON MAXI ADMISSIBLE  
Ø 16 mm

COMPONENT QTY	COLOR	MATERIAL	DESIGNATION	P/N	DTM
	NATURAL	STAINLESS	SHUNT	953165-1	5
	RED	SILICONE	SEAL	953066-2	4
	RED	PA6 50% GF	SLIDE	953046-2	3
	BLACK	PBT 20% GF	HOUSING	953045-9	2
	BLACK	PBT 20% GF	HOUSING	953045-6	2
	BLACK	PBT 20% GF	HOUSING	953045-4	2
	BLACK	PBT 20% GF	HOUSING	953045-3	2
	BLACK	PBT 20% GF	HOUSING	953045-2	2
	BLACK	PBT 20% GF	HOUSING	953045-1	2
	BLACK	PBT 20% GF	REC. HSG	953034-3	1
	BLACK	PBT 20% GF	REC. HSG	953034-2	1
	BLACK	PBT 20% GF	REC. HSG	953034-1	1

MAX ADMISSIBLE STRAND  
Ø 16 mm

THIS DRAWING IS UNPUBLISHED. RELEASED FOR PUBLICATION BY AMP INCORPORATED. ALL RIGHTS RESERVED. © COPYRIGHT 1997 BY AMP INCORPORATED. TOOLS, DIECASTS, RESERVES.

THIS DRAWING IS UNPUBLISHED. RELEASED FOR PUBLICATION BY AMP INCORPORATED. ALL RIGHTS RESERVED. © COPYRIGHT 1997 BY AMP INCORPORATED. TOOLS, DIECASTS, RESERVES.

DATE: 28-APR-97  
DWG/DESIGN: D-COQUELLET  
CHK/VERIFIE: 24MAY2000  
APP/VALORISE: J.P. PICAUD  
APPROUVE: 24MAY2000  
REV/REVILLON  
PRODUCT SPEC: ILS-15172  
SPEC. (PROD): ILS-15172  
APPLICATION SPEC: 411-15599  
SPEC. APPLICATION: 411-15599  
WEIGHT: APPROX. 41.3 g  
MATERIAL FINITION: SEE TABLE  
FINITION: SEE TABLE  
TOLERANCES: UNLESS OTHERWISE SPECIFIED: DIMENSIONS IN DECIMALS: ±0.25 mm  
TOLERANCES: UNLESS OTHERWISE SPECIFIED: DIMENSIONS IN DECIMALS: ±0.25 mm

AMP ASSY 31W CONNECTOR RIGHT SLIDE ASSEMBLAGE CONNECTEUR 31 VOIES TIMER HYBRIDE - ETRIER DROIT  
AMP DE FRANCE 95301 PONTAISE

CUSTOMER DRAWING /PLAN CLIENT UNIDUMENT SCALE: FOUR REFERENCE /ECHELLE: SHEET FEUILLE OF DE REV S