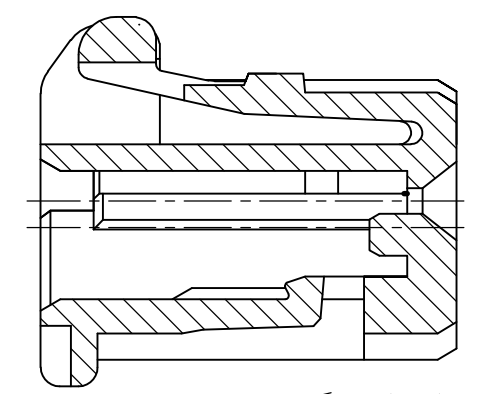
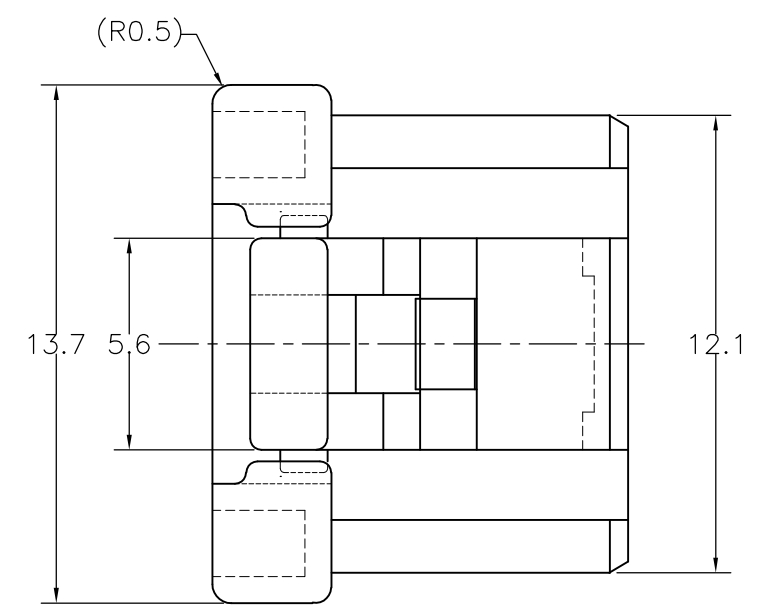


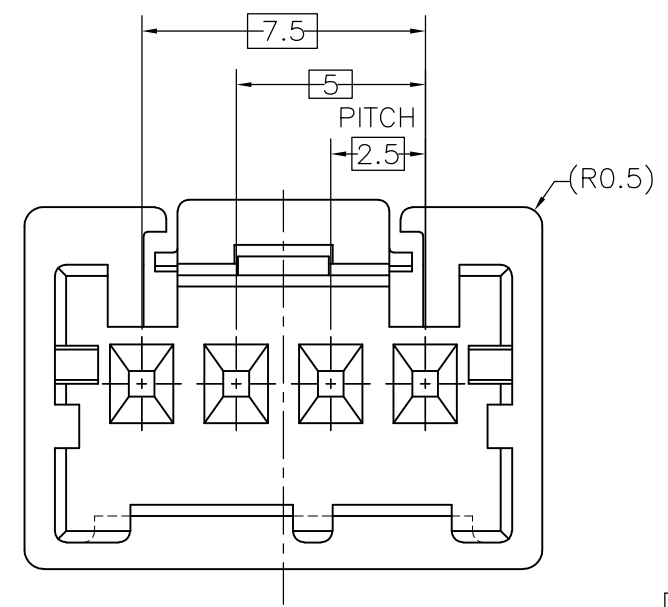
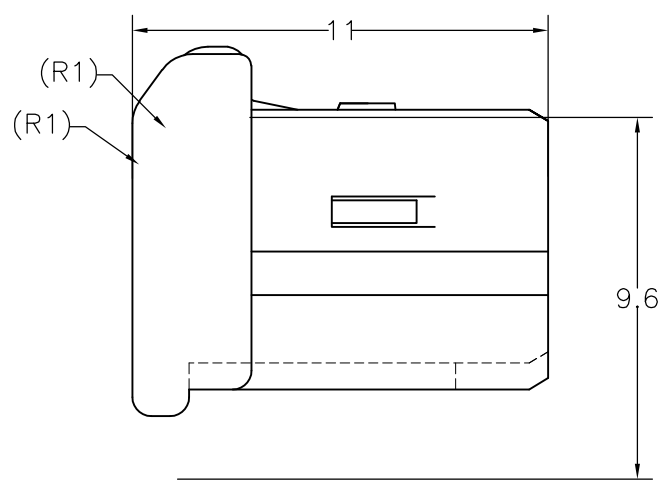
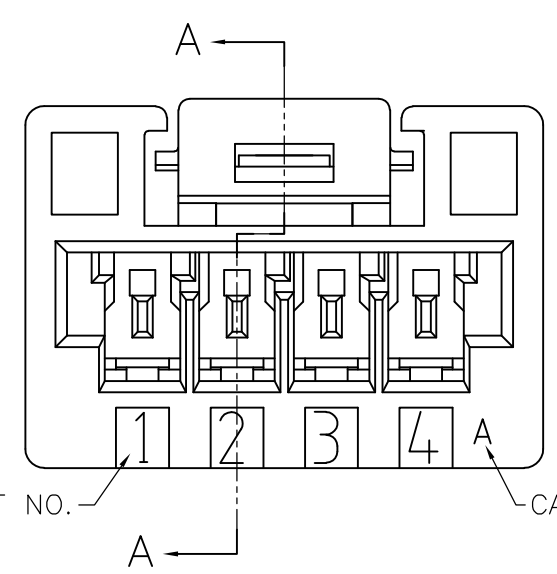
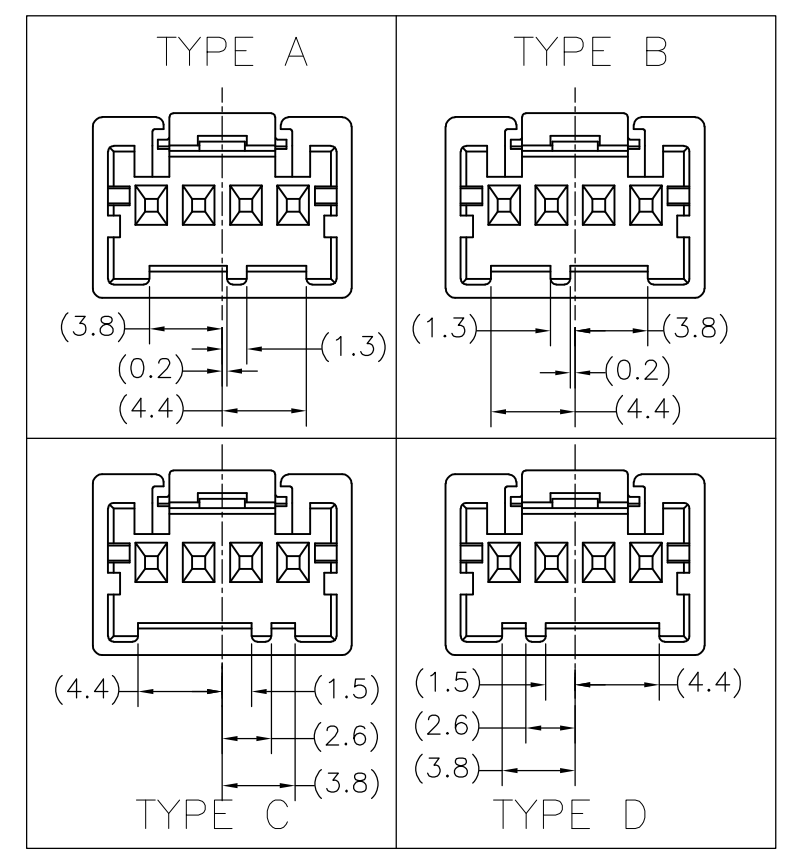
THIS DRAWING IS UNPUBLISHED. RELEASED FOR PUBLICATION
 © COPYRIGHT BY TYCO ELECTRONICS CORPORATION. ALL RIGHTS RESERVED.

LOC	DIST	REVISIONS					
J	—	P	LTR	DESCRIPTION	DATE	DWN	APVD
			B	REVISED PER ECR-10-007266	12APR10	HMR	TM



断面 A-A
SECT A-A

TYPE OF KEYING

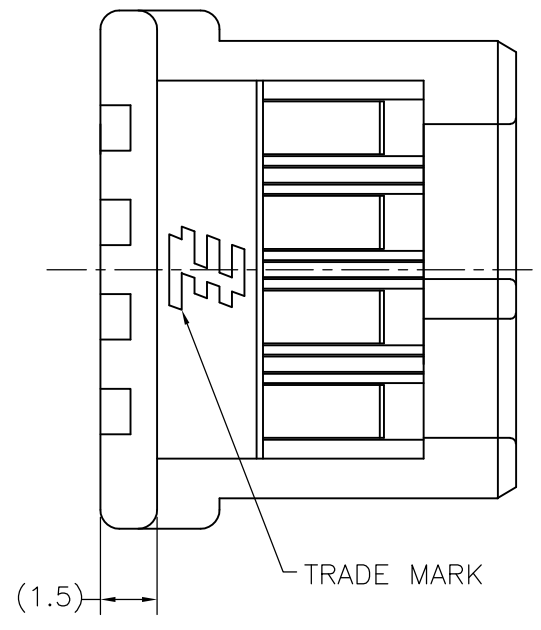


CURCUIT NO. CAVITY MARK

3-1903393-4	TYPE D	YELLOW 黄色	3-1903390-4
2-1903393-3	TYPE C	BLUE 青色	2-1903390-3
1-1903393-2	TYPE B	RED 赤色	1-1903390-2
1903393-1	TYPE A	NATURAL 自然色	1903390-1
かん合相手型番 MATING HSG P/N	キーイング形状 TYPE OF KEYING	色調 COLOR	型番 PART NUMBER

注記
 1. 一般公差: ±0.3
 △ 材料PBTガラス強化 (UL94V-0)
 △ かん合相手製品型番
 キャップハウジング: TABLE参照のこと
 リセコンタクト: 917683, 917684

NOTE
 1. GENERAL TOLERANCE: ±0.3
 △ MATERIAL: PBT GLASS FILLED (UL94V-0)
 △ MATING CONN. P/N
 CAP HOUSING: SEE TABLE
 REC CONTACT: 917683, 917684



THIS DRAWING IS A CONTROLLED DOCUMENT.

DIMENSIONS: 単位: 耗 mm	TOLERANCES UNLESS OTHERWISE SPECIFIED: 一般公差	DWN J.SATO 01NOV05	Tyco Electronics Kawasaki, Japan
0 PLC ± 1 PLC ± 2 PLC ± 3 PLC ± 4 PLC ± ANGLES ±	FINISH 仕上	CHK T.HATANO 01NOV05	
MATERIAL 材料 SEE NOTE △	PRODUCT SPEC 製品規格 108-78350	APVD N.YAMASAKI 01NOV05	NAME 名称 GRACE INERTIA CONNECTOR 2.5 W PLUG HOUSING 4P
	APPLICATION SPEC 取付適用規格	WEIGHT	SIZE A3
			CAGE CODE 00779
			DRAWING NO C-1903390
			RESTRICTED TO —
			SCALE 尺度 5:1
			SHEET 1 OF 1
			REV B

CUSTOMER DRAWING