

PART
NAME

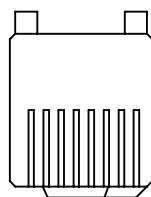
TEM-STAT TEMPERATURE CONTROL

PART
No.

TS-16

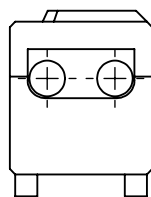
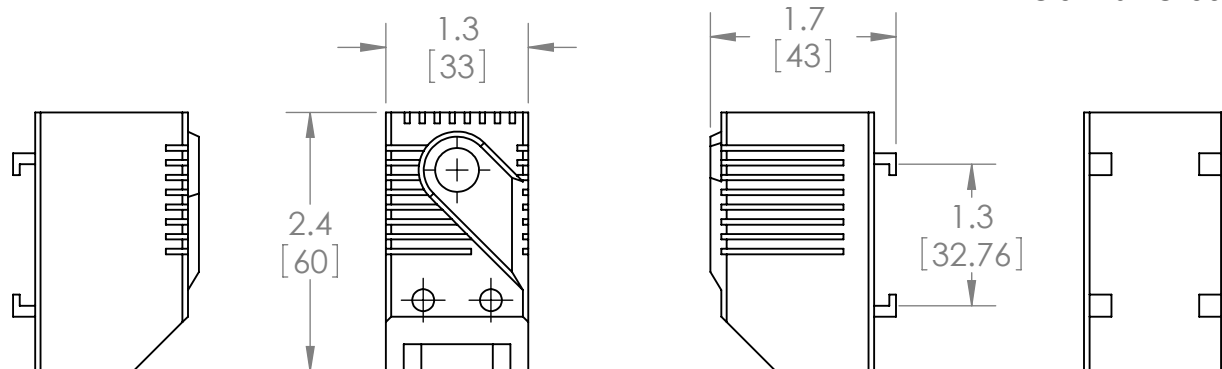
REV.
DATE

-



MATERIALS:
HOUSING - PLASTIC, UL 94V-0, HOUSING - LIGHT GREY
DIAL - BLUE
SENSOR ELEMENT - THERMOSTATIC BI-METAL

UL, CSA AGENCY APPROVED
MOUNTS TO 35mm DIN RAIL (EN 60 715)



SPECIFICATIONS:

NORMALLY OPEN, CLOSURES ON TEMPERATURE RISE
TEMPERATURE SETTING RANGE: +32 to +140°F (0 to +60°C)
SWITCHING DIFFERENCE (HYSTERESIS): 12.6°F ± 7°F (7°C ± 4K)
MAX. TOLERANCE: ±7.2°F (4K)
SERVICE LIFE: 100,000 CYCLES AT 120 VAC, 30,000 CYCLES AT 240 VAC
SWITCHING CAPACITY (MAX. LOAD): 15A RESISTIVE/ 2A INDUCTIVE AT 120 VAC
10A RESISTIVE/ 2A INDUCTIVE AT 250 VAC
DC 30W

MINIMUM LOAD: 20mA (ALL VOLTAGES)
EMI/EMC COMPLIANCE: EN 55014-1-2, EN 61000-3-2, EN 61000-3-3
CONTACT TYPE: SNAP-ACTION CONTACT
CONNECTION: 2-POLE TERMINAL, CLAMPING TORQUE 0.5Nm MAX.

SOLID WIRE - AWG 14 MAX. (2.5mm²)

STRANDED WIRE (WITH WIRE END FERRULE) - AWG 16 (1.5mm²)

WEIGHT: APPROX. 1.4 oz. (40g)
OPERATING TEMPERATURE: -4 to +176°F (-20 to +80°C)
STORAGE TEMPERATURE: -49 to +176°F (-45 to +80°C)
PROTECTION TYPE: IP20
SCALE ON HOUSING: +32 to +140°F

