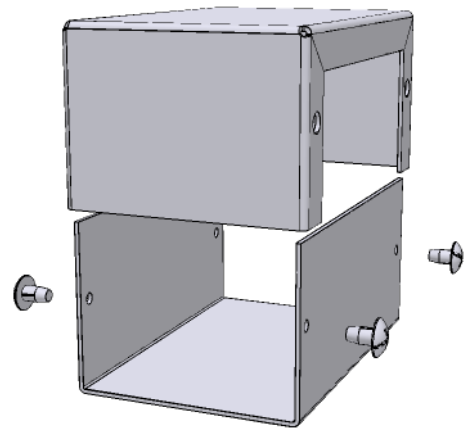


ASSEMBLY - VIEW FROM SIDE (OPEN)

SECTION BB-BB



- 12 GAUGE NATURAL ALUMINUM BODY - 1411DU
 - ASA 61 GREY POWDER PAINTED ALUMINUM BODY - 1411D
 - 0.040" THICK ALUMINUM PANELS
 - FOUR 6-32 NICKEL PLATED SCREWS
 - FOUR SELF ADHESIVE RUBBER FEET
- EXTRA SCREWS - 1421J6 (6-32 x 1/4 SHEET METAL SCREWS)

Contact Factory mjm@hammondmfg.com for quotes
 Enclosures can be Factory Modified (Milling, Drilling, Printing etc.)
 Solid models of this enclosure available in STEP or IGES.



**HAMMOND
MANUFACTURING™**

1411D

www.hammondmfg.com