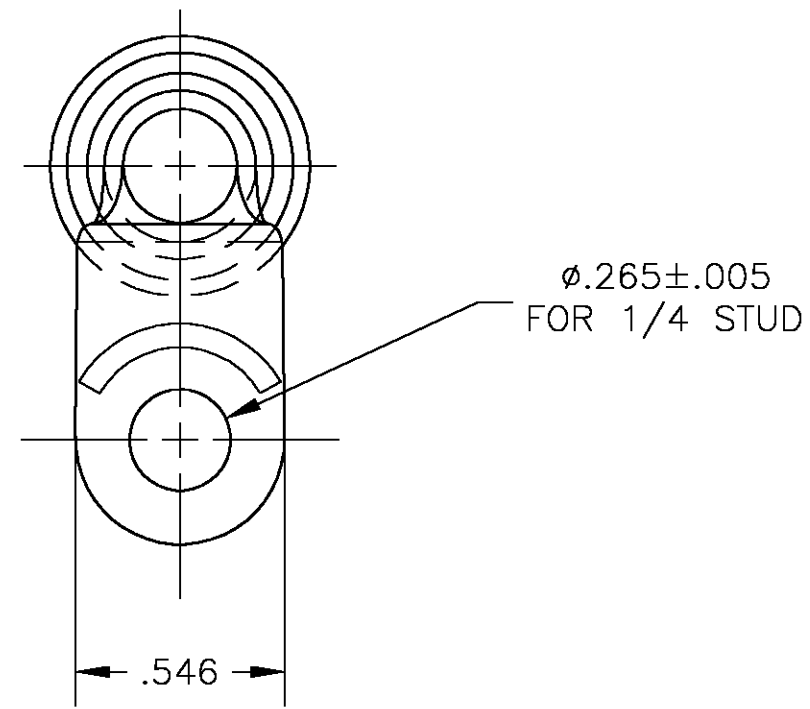
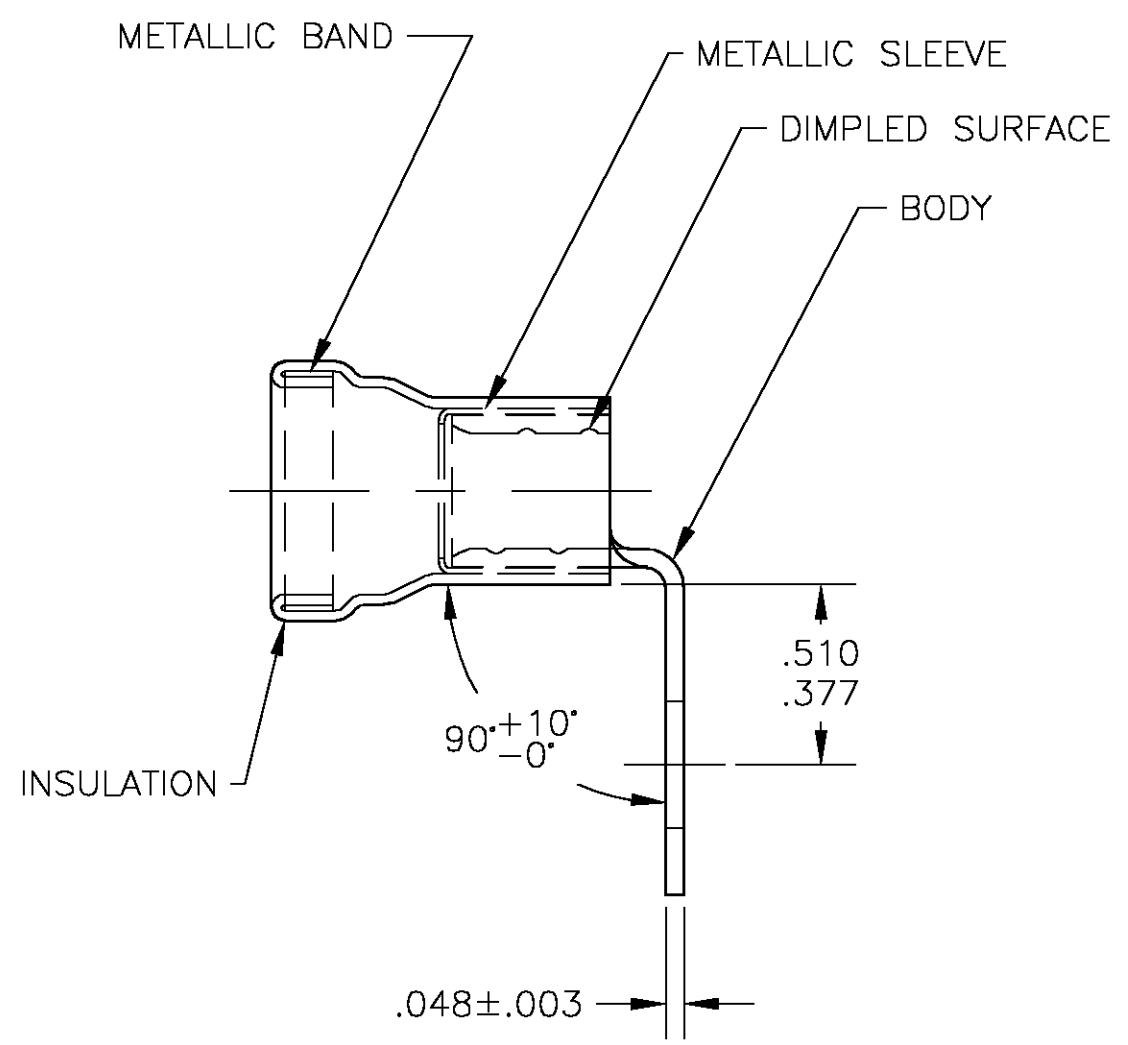


THIS DRAWING IS UNPUBLISHED. RELEASED FOR PUBLICATION  
 © COPYRIGHT BY TYCO ELECTRONICS CORPORATION. ALL RIGHTS RESERVED.

LOC	DIST	REVISIONS			
P	LTR	DESCRIPTION	DATE	DWN	APVD
G	14	E	REV PER 0G3A-0292-04	16APR04	JR MS



- 1 FOR .436 MAX WIRE INSULATION DIA
- 2 MATERIAL: BODY - COPPER PER ASTM B-152  
INSULATION - PVC  
METALLIC SLEEVE - COPPER PER ASTM B-152  
METALLIC BAND - STEEL PER ASTM A-109
- 3 FINISH: BODY - TIN PLATE PER ASTM B-545  
INSULATION - YELLOW

322894  
PART NO

THIS DRAWING IS A CONTROLLED DOCUMENT.		DWN jr_ruth 16APR04	Tyco Electronics Corporation Harrisburg, PA 17105			
DIMENSIONS: INCHES		CHK MJ SPICER 16APR04				NAME
		APVD MJ SPICER 16APR04	WIRE TERMINAL AMPLI-BOND, RING TONGUE, BENT 90, WIRE SIZE: #4			
TOLERANCES UNLESS OTHERWISE SPECIFIED:		PRODUCT SPEC	SIZE	CAGE CODE	DRAWING NO	RESTRICTED TO
0 PLC ± -	1 PLC ± -	APPLICATION SPEC	A3	00779	C-322894	-
2 PLC ± -	3 PLC ± .008	WEIGHT	CUSTOMER DRAWING			SCALE 2:1
4 PLC ± -	ANGLES ± 5'		SHEET 1 OF 1			REV E
MATERIAL - 2	FINISH - 3					