

4

3

2

1

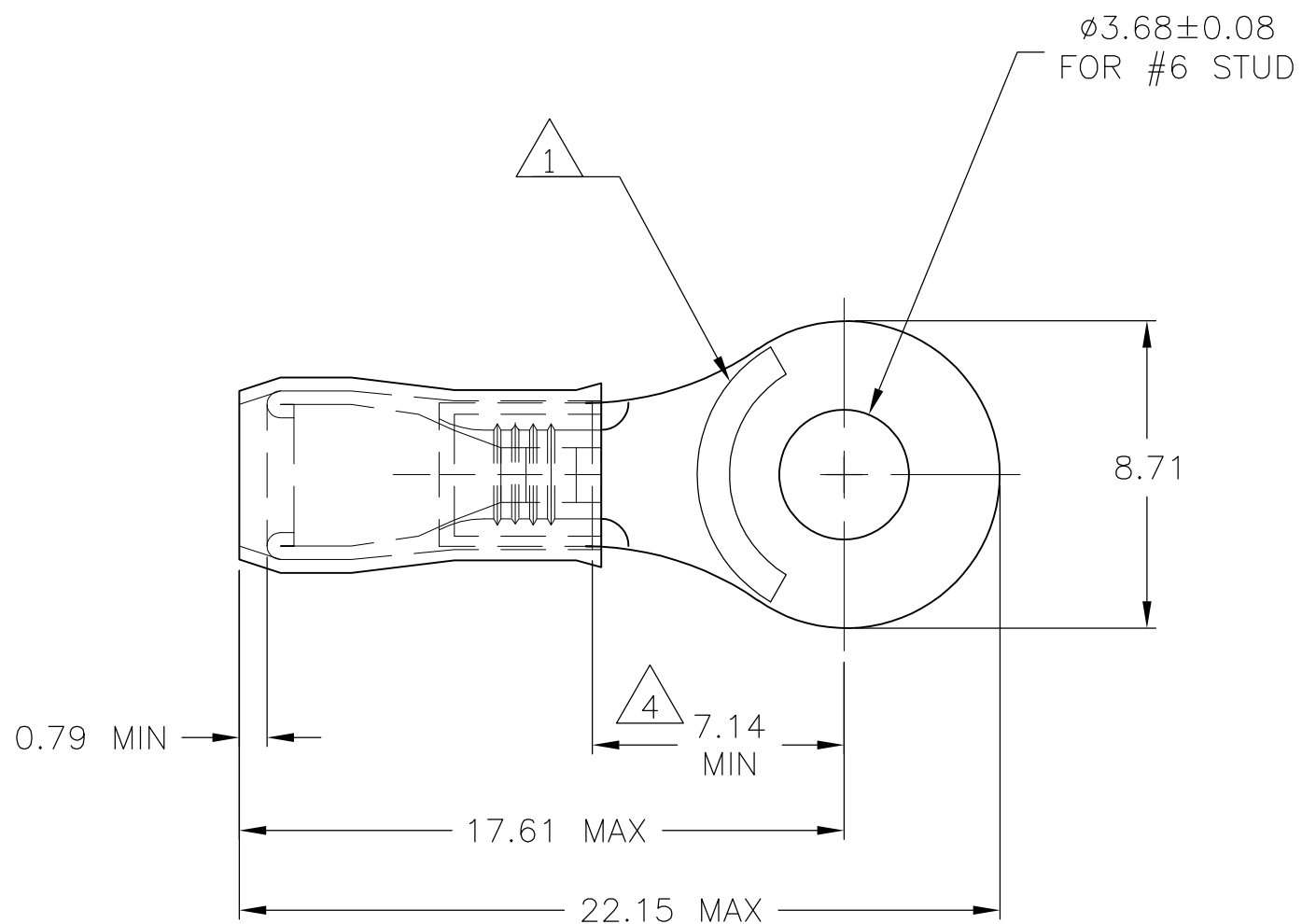
THIS DRAWING IS UNPUBLISHED.

RELEASED FOR PUBLICATION

© COPYRIGHT - BY TYCO ELECTRONICS CORPORATION.

ALL RIGHTS RESERVED.

LOC	DIST	REVISIONS					
		P	LTR	DESCRIPTION	DATE	DWN	APVD
G	14		H	REV PER ECR 09-025674	01DEC09	JR	TM



- 1 STAMP AMP 14-12, LOCATION AS SHOWN.
- 2 WIRE INSULATION DIA RANGE IS 2.0-3.2 DIA.
- 3 TONGUE MATERIAL THK IS 0.75±0.05
- 4 DIMENSION APPLIES FROM CENTER OF STUD HOLE TO EDGE OF WIRE BARREL.
- 5 MATERIAL: BODY - COPPER PER ASTM B-152 SLEEVE - NYLON, COLOR WHITE
- 6 FINISH: BODY - TIN PLATE PER ASTM B-545
- 7 MAX RECOMMENDED OPERATING TEMP 105°C
- 8 VOLTAGE RATING: 300 V MAX
- 9 WIRE CROSS SECTIONAL AREA RANGE: 1.65-3.45mm<sup>2</sup> [ 3,260-6,800 ] CMA

<b>AMP</b> WIRE RANGE
14-12 AWG SOLID OR STRANDED

500	LOOSE PIECE	152874
QTY	PACKAGING TYPE	PART NO

THIS DRAWING IS A CONTROLLED DOCUMENT.		DWN jr_ruth 05MAY06	Tyco Electronics Corporation Harrisburg, PA 17105-3608	
DIMENSIONS: mm		CHK T MICHIELUTTI 05MAY06		
		APVD T MICHIELUTTI 05MAY06	NAME TERMINAL, RING TONGUE, PIDG, WIRE SIZE 14-12 AWG	
TOLERANCES UNLESS OTHERWISE SPECIFIED:		PRODUCT SPEC	APPLICATION SPEC	
0 PLC ± - 1 PLC ± - 2 PLC ± - 3 PLC ± .008 4 PLC ± - ANGLES ± 5°		WEIGHT	SIZE A3	CAGE CODE 00779
MATERIAL		FINISH	DRAWING NO G-152874	RESTRICTED TO
-5		-6	SCALE 5:1 SHEET 1 OF 1 REV H	
CUSTOMER DRAWING				