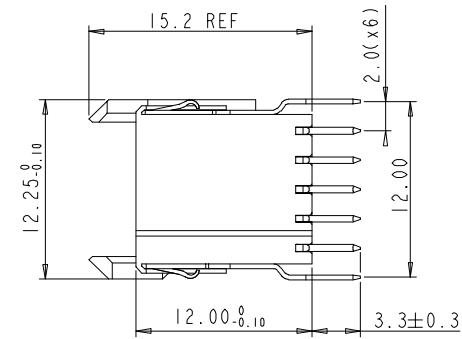
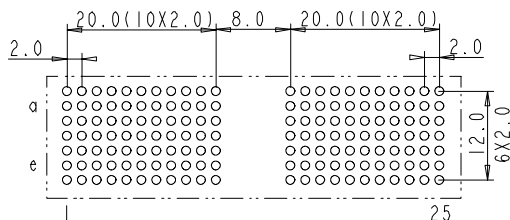
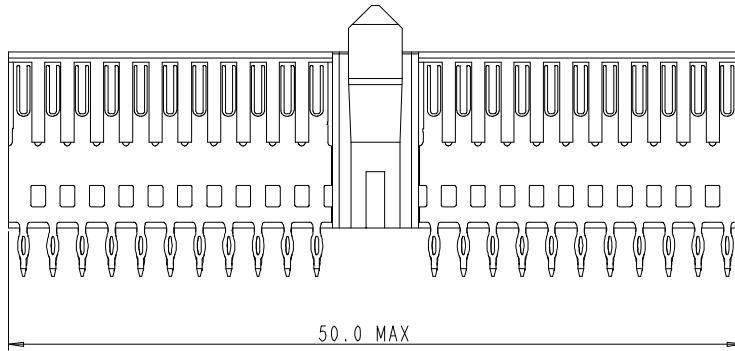
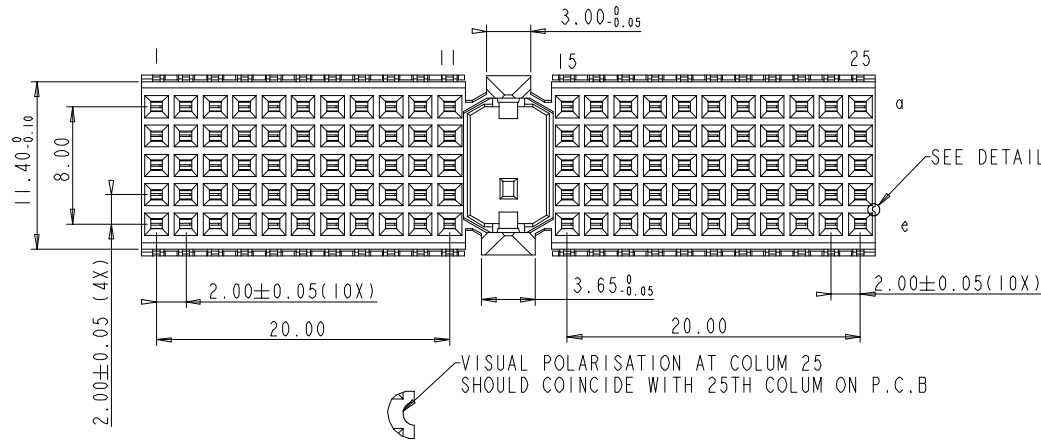


Tous droits strictement réservés. Reproduction ou communication à des tiers interdite sous quelque forme que ce soit sans autorisation écrite du propriétaire. Propriété de c FCI. Droits de reproduction FCI.



All rights strictly reserved. Reproduction or issue to third parties in any form whatsoever is not permitted without written authority from the proprietor. Property of FCI. Copyright FCI.



**PERFORMANCE CHARACTERISTICS**

- CURRENT RATING 1.5A AT 20°C (FULLY LOADED)
- 1 A AT 70°C (FULLY LOADED)
- RATED VOLTAGE : 500 V AC (CONT /CONT)
- OPERATING TEMPERATURE : -55°C TO 125°C
- CONTACT RESISTANCE 20 MΩ MAX
- INSERTION FORCE : 0.75N MAX/CONT
- EXTRACTION FORCE : 0.15N MIN/CONT
- INSULATION RESISTANCE : 10<sup>4</sup> MΩ MIN

**NOTES**

1. " " LEAD FREE INDICATOR : LF=LEAD FREE  
" " PERFORMANCE LEVEL INDICATOR (REF DWG NO.BSC .201844.003)
2. THIS PRODUCT IS CSA APPROVED. THIS PRODUCT IS UL RECOGNIZED.
3. FOR RECOMMENDED PTH DIMENSIONS REFER DRAWING :BS.A.201572.001
4. THIS PRODUCT (LF) MEETS EUROPEAN UNION DIRECTIVES AND OTHER COUNTRY REGULATIONS AS DESCRIBED IN GS-22-008

rev	ecn no	dr	date
A	CONVERSION REVISION 00	KN	14-09-01
B	104-0109	ALEX E	27-11-04
C	DG05-0278	Kason	02-08-05
D	DG10-0110	NZ	2010.9.3
-	-	-	-
-	-	-	-
-	-	-	-

Material		Spec ref	
Mat code		tolerance	projection
Heatreat	✓	1 DEC±0.2 1 DEC 2 DEC±0.1 2 DEC ANGLES±1° HOEKEN	MM
Plating/Finish		size	Scale
Dr M.Fret	30-10-97	A4	2.000
Eng		Product family	MILLIPACS
Chr		Model Name	ECN
Appr		Model Revision	REL Level
	title	MILLIPACS 2/TYPE A (W/O LOC.PEG)/SHIELDED	Rev. D
Pro/E file	catalog no	HM2S10PE5101----	sheet 1 of 1
	dwg no	BSC201907009	
		CUSTOMER DRAWING	