

3A, 45V Trench Schottky Rectifiers

FEATURES

- Patented Trench Schottky technology
- Low power loss, high efficiency
- Ideal for automated placement
- High surge current capability
- Compliant to RoHS directive 2011/65/EU and in accordance to WEEE 2002/96/EC
- Halogen-free according to IEC 61249-2-21

APPLICATIONS

- Switching mode power supply (SMPS)
- Adapters
- Lighting application
- On-board DC/DC converter

MECHANICAL DATA

- Case: SOD-128
- Molding compound: UL flammability classification rating 94V-0
- Moisture sensitivity level: level 1, per J-STD-020
- Packing code with suffix "G" means green compound (halogen-free)
- Matte tin plated leads, solderable per J-STD-002
- Meet JESD 201 class 1A whisker test
- Polarity: Indicated by cathode band
- Weight: 0.0282g (approximately)

KEY PARAMETERS		
PARAMETER	VALUE	UNIT
$I_{F(AV)}$	3	A
V_{RRM}	45	V
I_{FSM}	30	A
V_F at $I_F=3A$	0.56	V
T_{JMAX}	150	°C
Package	SOD-128	
Configuration	Single die	



SOD-128

ABSOLUTE MAXIMUM RATINGS ($T_A = 25^\circ\text{C}$ unless otherwise noted)			
PARAMETER	SYMBOL	TSS83L45	UNIT
Marking code on the device		83L45	
Repetitive peak reverse voltage	V_{RRM}	45	V
Reverse voltage, total rms value	$V_{R(RMS)}$	32	V
Forward current	$I_{F(AV)}$	3	A
Surge peak forward current, 8.3 ms single half sine-wave superimposed on rated load per diode	I_{FSM}	30	A
Non-repetitive reverse current surge peak per diode ⁽¹⁾	I_{RSM}	10	A
Critical rate of rise of off-state voltage	dV/dt	10,000	V/ μs
Junction temperature	T_J	-55 to +150	°C
Storage temperature	T_{STG}	-55 to +150	°C

Notes:

1. Pulse / period : 2 μs / 1000 μs , pulse No. : 10 times

THERMAL PERFORMANCE			
PARAMETER	SYMBOL	LIMIT	UNIT
Junction-to-lead thermal resistance	$R_{\theta JL}$	23	°C/W
Junction-to-ambient thermal resistance	$R_{\theta JA}$	75	°C/W
Junction-to-case thermal resistance	$R_{\theta JC}$	25	°C/W

Thermal Performance Note: Units mounted on recommended PCB (5mm x 5mm Cu pad test board)

ABSOLUTE MAXIMUM RATINGS ($T_A = 25^\circ\text{C}$ unless otherwise noted)					
PARAMETER	CONDITIONS	SYMBOL	TYP	MAX	UNIT
Forward voltage per diode ⁽¹⁾	$I_F = 1\text{A}, T_J = 25^\circ\text{C}$	V_F	0.39	0.47	V
	$I_F = 3\text{A}, T_J = 25^\circ\text{C}$		0.50	0.56	V
	$I_F = 1\text{A}, T_J = 125^\circ\text{C}$		0.29	0.36	V
	$I_F = 3\text{A}, T_J = 125^\circ\text{C}$		0.44	0.50	V
Reverse current @ rated V_R per diode ⁽²⁾	$T_J = 25^\circ\text{C}$	I_R	-	500	uA
	$T_J = 125^\circ\text{C}$		-	20	mA
Junction capacitance	1 MHz, $V_R = 4.0\text{V}$	C_J	220	-	pF

Notes:

1. Pulse test with PW=0.3 ms
2. Pulse test with PW=30 ms

ORDERING INFORMATION				
PART NO.	PACKING CODE	PACKING CODE SUFFIX	PACKAGE	PACKING
TSS83L45 (Note 1)	MW	G	SOD-128	3,500 / 7" Plastic reel
	MX		SOD-128	14,000 / 13" Plastic reel

Notes:

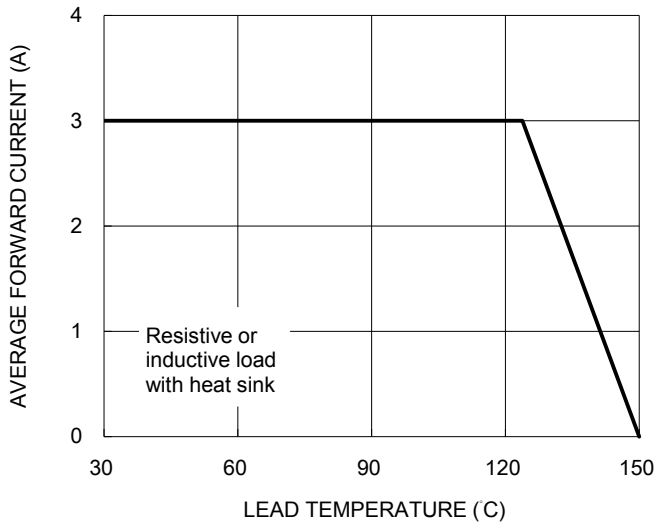
1. Whole series with green compound

EXAMPLE				
PREFERRED P/N	PART NO.	PACKING CODE	PACKING CODE SUFFIX	DESCRIPTION
TSS83L45 MWG	TSS83L45	MW	G	Green compound

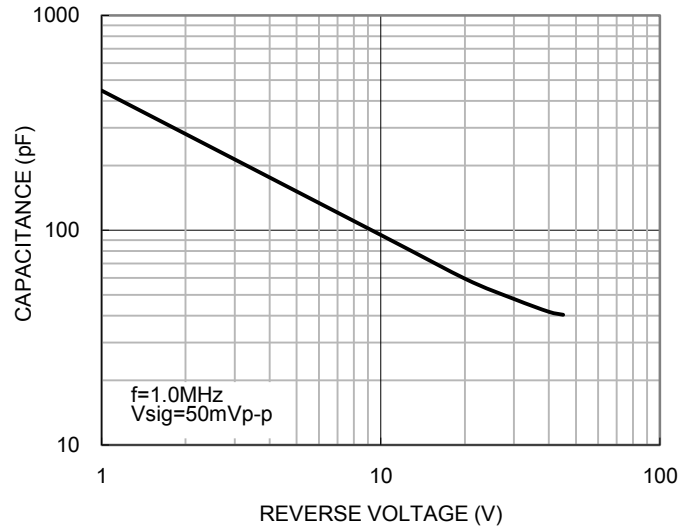
CHARACTERISTICS CURVES

($T_A = 25^\circ\text{C}$ unless otherwise noted)

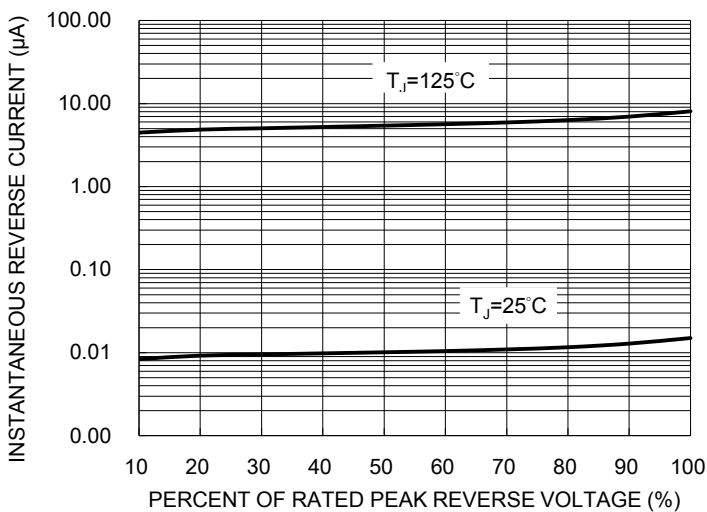
Forward Current Derating Curve



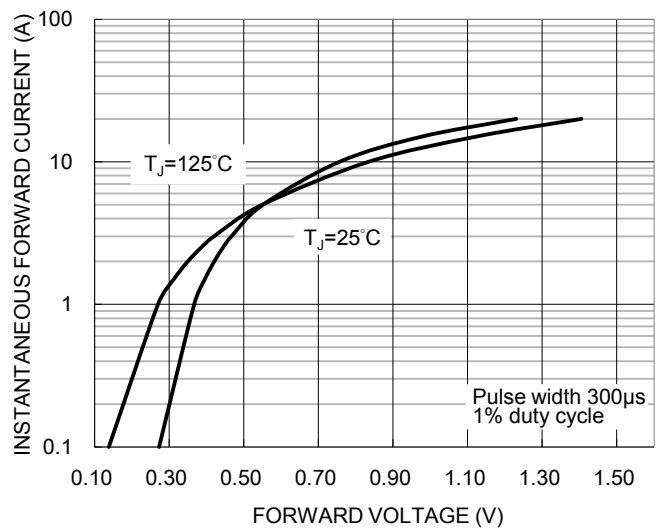
Typical Junction Capacitance



Typical Reverse Characteristics

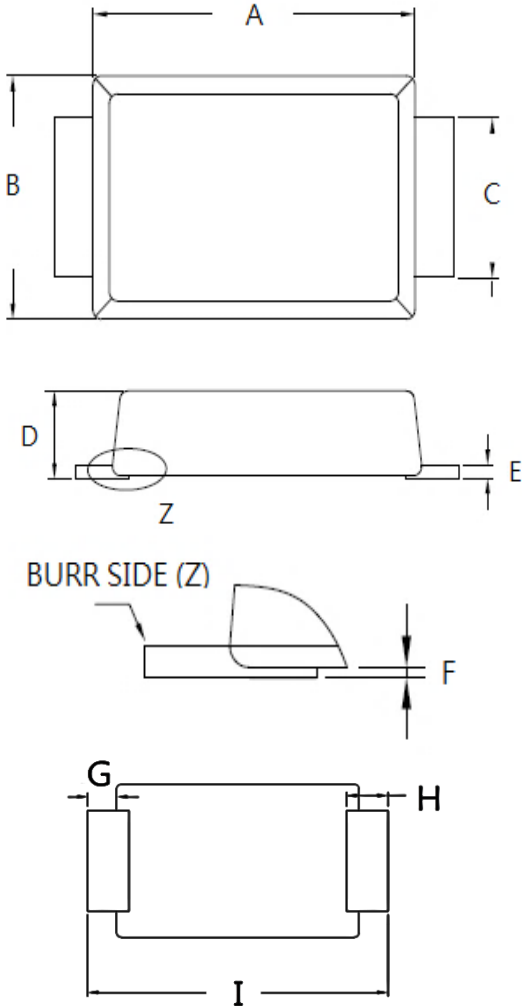


Typical Forward Characteristics



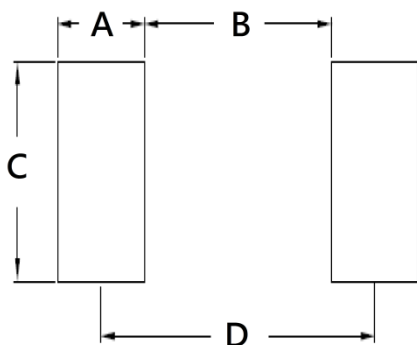
PACKAGE OUTLINE DIMENSIONS

SOD-128



DIM	Unit (mm)		Unit (inch)	
	Min	Max	Min	Max
A	3.60	4.00	0.142	0.157
B	2.30	2.70	0.091	0.106
C	1.60	1.90	0.063	0.075
D	0.90	1.10	0.035	0.043
E	0.10	0.22	0.004	0.009
F	0.00	0.10	0.000	0.004
G	0.30	0.60	0.012	0.024
H	0.40	0.80	0.016	0.031
I	4.40	5.00	0.173	0.197

SUGGESTED PAD LAYOUT



DIM	Unit (mm)	Unit (inch)
A	1.40	0.055
B	3.00	0.118
C	2.10	0.082
D	4.40	0.173

MARKING DIAGRAM



P/N = Marking Code
 YW = Date Code
 F = Factory Code

Notice

Specifications of the products displayed herein are subject to change without notice. TSC or anyone on its behalf, assumes no responsibility or liability for any errors or inaccuracies.

Information contained herein is intended to provide a product description only. No license, express or implied, to any intellectual property rights is granted by this document. Except as provided in TSC's terms and conditions of sale for such products, TSC assumes no liability whatsoever, and disclaims any express or implied warranty, relating to sale and/or use of TSC products including liability or warranties relating to fitness for a particular purpose, merchantability, or infringement of any patent, copyright, or other intellectual property right.

The products shown herein are not designed for use in medical, life-saving, or life-sustaining applications. Customers using or selling these products for use in such applications do so at their own risk and agree to fully indemnify TSC for any damages resulting from such improper use or sale.