

PART NUMBER	REV	TERMINATOR	FEED TYPE	DESCRIPTION
1529211-1	A	BENCH & LEADMAKER	MECH POST FEED	HDI APPLICATOR
7-1529211-1	A	BENCH & LEADMAKER	MECH POST FEED	-1 AND SPARE PARTS
7-1529211-7	A	-	-	SPARE PARTS KIT

LOC	DIST	REV	DATE	BY	APPD
A	66		12FEB2007	DP	MC

CRIMP DATA CATERPILLAR TERMINAL TYCO CRIMP SPECS

CRIMP	SIZE	TYPE	RANGE
WIRE	5.59 [.220 IN]	F	2.59-6.63mm ² or 12-10 AWG
INSUL	7.87 [.310 IN]	F	4.40-6.55 [.173-.258 IN]

WIRE STRIP LENGTH	APPL INSTRUCTIONS
7.00-7.80 [.276-.307 IN]	408-8323 & 408-8490

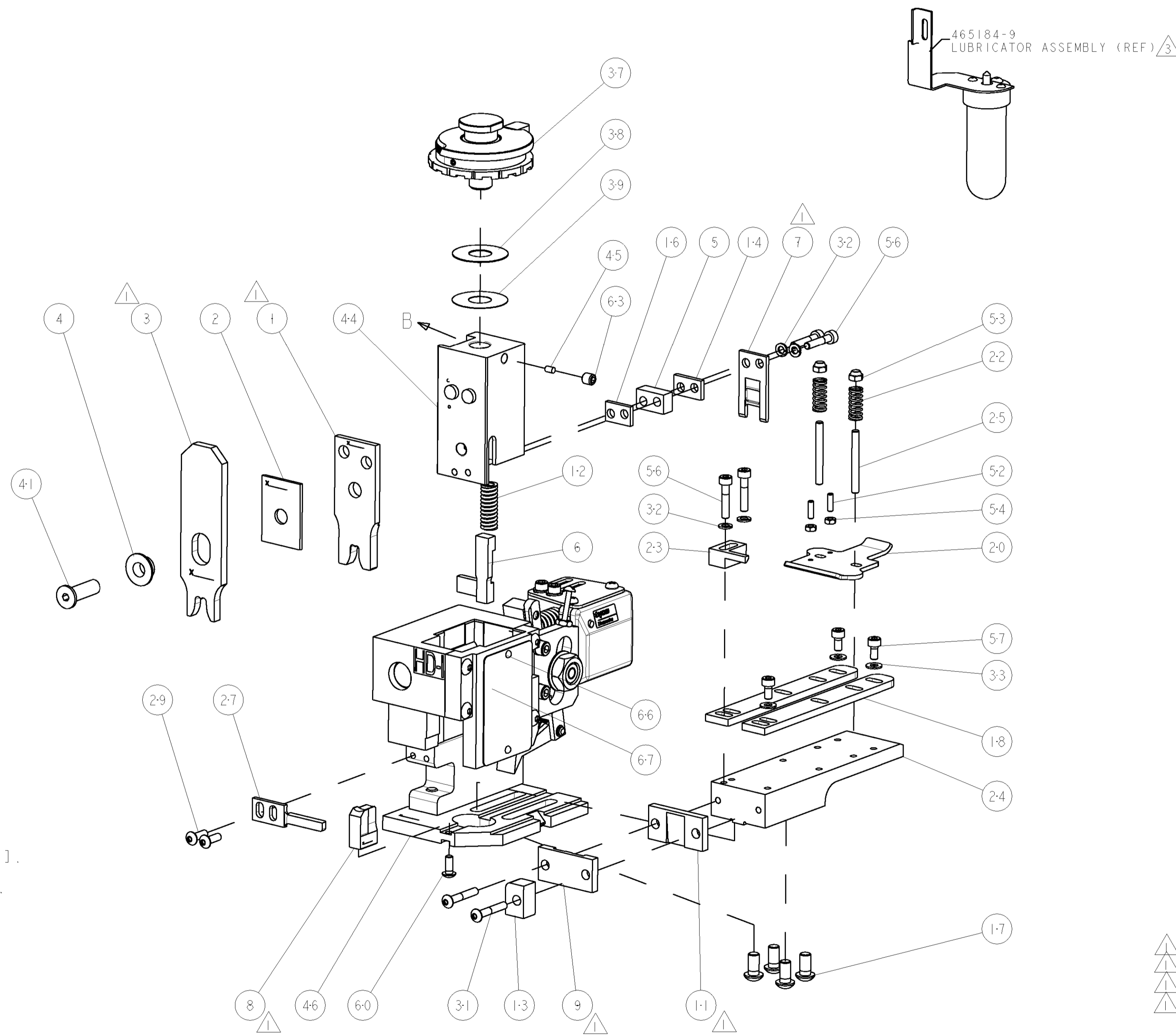
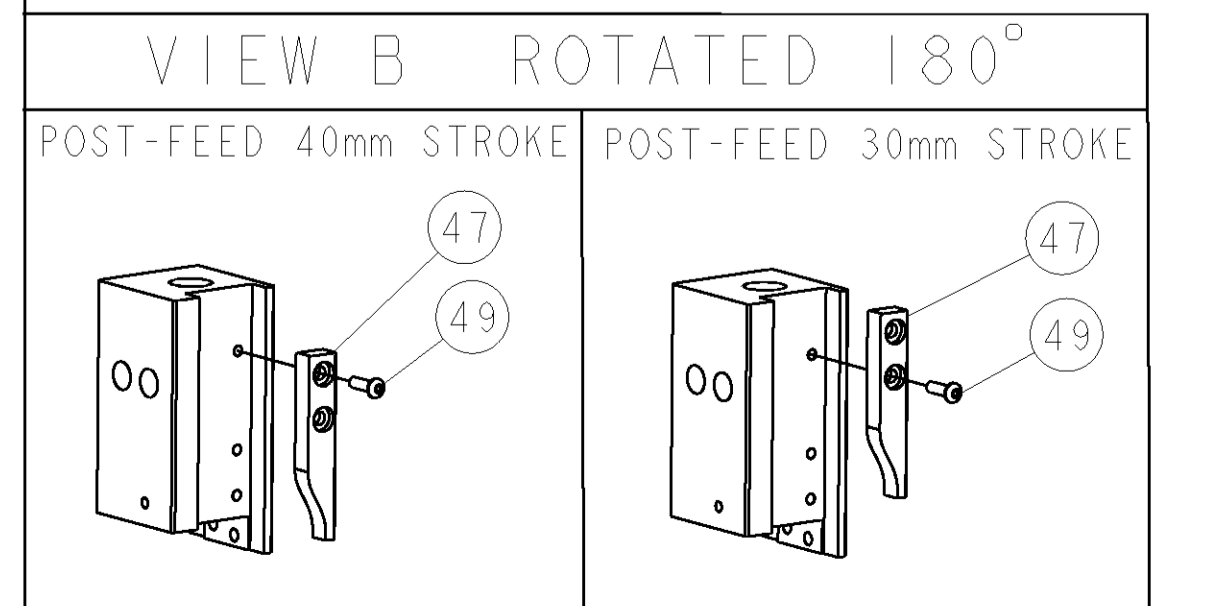
TERMINAL APPL SPEC	FEED
-	30.99 [.1220 IN]

TYCO TERM PN	MANUF TERM PN	CRIMP HEIGHT	REF SETTING
286721-1	2D-8758	3.45 ±0.05 [.136 ±.002 IN]	C6
-	-	3.30 ±0.05 [.130 ±.002 IN]	D8

- 1 RECOMMENDED SPARE PARTS
- 2 GREASE RAM, CAM, CAM FOLLOWER AND FEED ROD LIGHTLY.
- 3 CERTAIN TERMINALS REQUIRE LUBRICATION. REFER TO THE APPLICATOR INSTRUCTION SHEET FOR MORE INFORMATION.
- 4 LUBRICATE DAILY PER THE APPLICATOR INSTRUCTION SHEET SUPPLIED WITH THE APPLICATOR.
- 5 WIRE RANGE SHOWN IS THAT OF THE TERMINAL.
- 6 INSULATION RANGE SHOWN IS THAT OF THE APPLICATOR. TERMINAL INSULATION RANGE IS 4.93-6.55 [.194-.258 IN].
- 7 ALL CRIMP DATA CALCULATED BY TYCO ELECTRONICS UK LTD.

*** WARNING**

ON INSTALLATION, SET WIRE DISC TO LARGEST WIRE SIZE SETTING. USE OF SETTINGS BELOW MIN. REQUIRED CRIMP HEIGHT SETTING WILL CAUSE DAMAGE TO CRIMP TOOLING.



-	1	1	1338705-4	DOCUMENTATION PACKAGE	71
-	1	1	461264-5	PLATE, IDENTIFICATION	67
-	2	2	21017-2	SCREW, DRIVE	66
-	1	1	3-18031-0	SCR, SET, CUP POINT M6 X 6.0	63
-	1	1	18024-7	SCR, BTN SKT HD CAP (M4 X 10.0)	60
-	2	2	1-18023-4	SCR, SKT HD CAP M4 X 20.0	58
-	3	3	1-18023-0	SCR, SKT HD CAP M4 X 8.0	57
-	2	2	1-18023-4	SCR, SKT HD CAP M4 X 20.0	56
-	2	2	18029-1	NUT, HEX, REG M3	54
-	2	2	986965-1	NUT, LOCK, HEX, TORQUE (M4)	53
-	2	2	2-18032-2	SCR, SET, FLT POINT M3 X 10.0	52
-	1	1	18024-3	SCR, BTN SKT HD CAP (M3 X 10.0)	49
-	1	1	1338676-1	CAM, UNIVERSAL POST-FEED	47
-	1	1	1338662-2	SUB ASSY, APPLICATOR FRAME	46
-	1	1	690191-1	PLUG, NYLON	45
-	1	1	1333260-1	RAM	44
-	1	1	992285-2	SCR, LOW SKT HD CAP M8 X 25.0	41
-	1	1	690125-1	SHIM SUB-ASSY	39
-	1	1	469367-9	SHIM	38
-	1	1	879103-3	FINE ADJUST HEAD ASSEMBLY	37
-	3	3	18027-2	WASHER, FLAT, REG M4	33
-	4	4	18025-2	WASHER, SPRG LOCK, REG M4	32
-	2	2	4-18024-7	SCR, BTN SKT HD CAP (M4 X 25.0)	31
-	2	2	18024-8	SCR, BTN SKT HD CAP (M4 X 12.0)	29
-	1	1	1333256-4	STRIPPER, SPECIAL	27
-	2	2	1320906-1	STUD, THREADED	25
-	1	1	1320995-1	PLATE, STRIP GUIDE	24
-	1	1	240825-5	PLATE, STRIP HOLD DOWN	23
-	2	2	4-22281-1	SPRING, DRAG	22
-	1	1	1338665-1	DRAG	20
-	2	2	1338663-8	GUIDE, LOWER STRIP	18
-	4	4	1-18024-8	SCR, BTN SKT HD CAP (M6 X 12.0)	17
-	1	1	1338708-1	SPACER, SLUG BLADE	16
-	1	1	240641-6	SPACER	14
-	1	1	3-690481-1	SPACER, HOLD DOWN	13
-	1	1	23846-1	SPRING, DIE	12
-	1	1	240644-1	PLATE, REAR SHEAR	11
-	1	1	690482-3	PLATE, FRONT SHEAR	9
-	1	2	1633384-6	ANVIL, COMBINATION	8
-	1	1	2-690474-2	BLADE, SLUG	7
-	1	1	3-455892-4	HOLD DOWN, TERMINAL	6
-	1	1	2-240641-7	SPACER	5
-	1	1	238009-5	BLOCK, FL CRIMPER SPACER	4
-	1	2	8-1424909-5	CRIMPER, INSULATION F	3
-	1	1	1-455888-6	SPACER, CRIMPER	2
-	1	2	2-1752057-4	CRIMPER, WIRE PREMIUM, STEPPED	1

ITEM NO	PART NO	DESCRIPTION
-77	-71	-1