

4

3

2

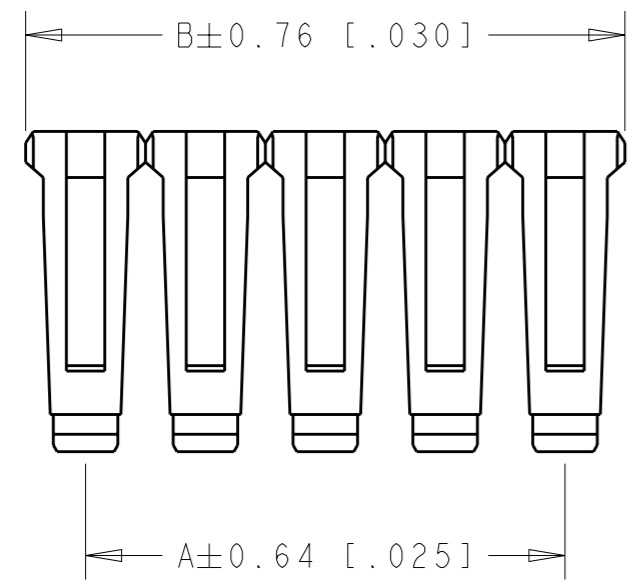
1

THIS DRAWING IS UNPUBLISHED. RELEASED FOR PUBLICATION 20
 © COPYRIGHT 20 BY TYCO ELECTRONICS CORPORATION. ALL INTERNATIONAL RIGHTS RESERVED.

LOC	DIST	REVISIONS				
P	LTR	DESCRIPTION	DATE	DWN	APVD	
AF	-	A1	REV PER ECO 11-000054	03JAN11	JR	SM

D

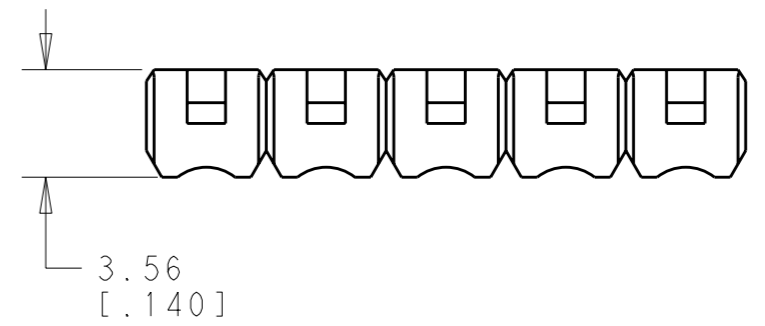
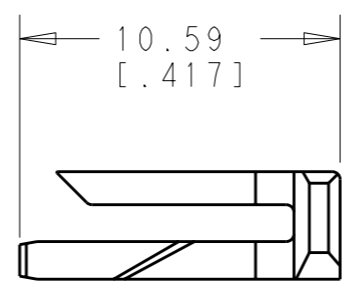
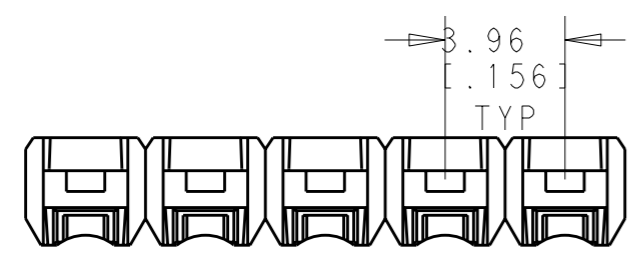
D



- PART TO BE BROKEN AS SHOWN TO FIT 2 THRU 12 POSITION HOUSINGS.
- GOES WITH HOUSING P/N 2132189-X
- BOW IS ACCEPTABLE

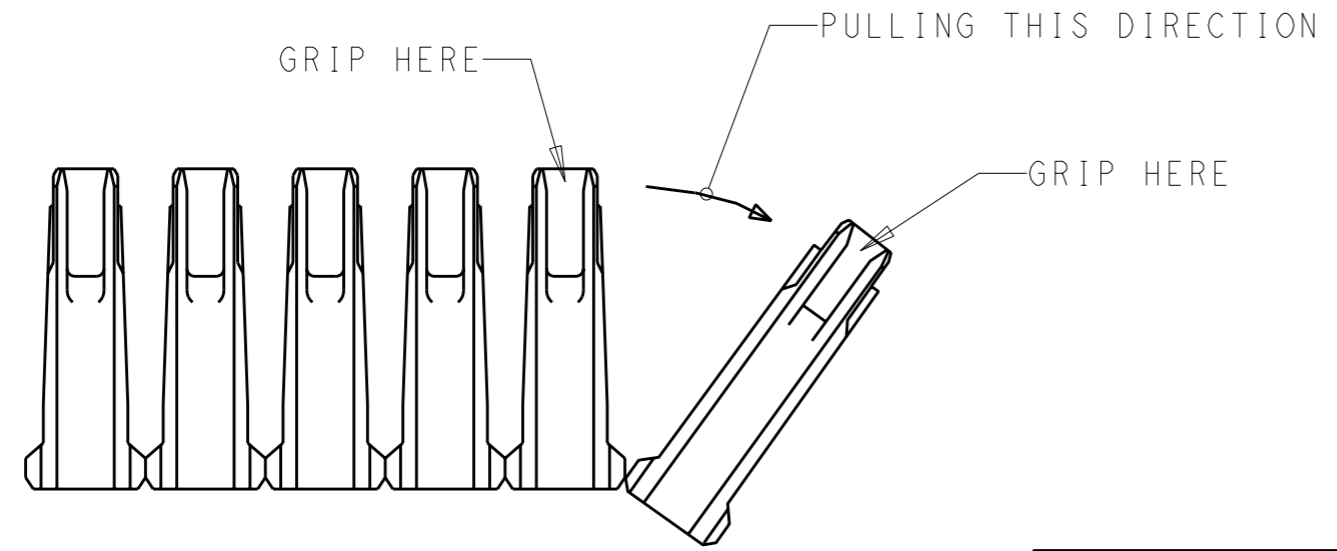
C

C



B

B



79.25 [3.120]	75.28 [2.964]	2-2132074-0
DIM B	DIM A	PART NO.

BREAK HOUSINGS AS SHOWN

<small>THIS DRAWING IS A CONTROLLED DOCUMENT FOR TYCO ELECTRONICS CORPORATION IT IS SUBJECT TO CHANGE AND THE CONTROLLING ENGINEERING ORGANIZATION SHOULD BE CONTACTED FOR THE LATEST REVISION.</small>		DWN JR RUTH 17DEC2010 CHK SAM MACE 17DEC2010 APVD - PRODUCT SPEC - APPLICATION SPEC - WEIGHT -	Tyco Electronics Corporation Harrisburg, PA 17105-3608 NAME SL-156, CONTACT RETAINER SIZE A3 CAGE CODE 00779 DRAWING NO C-2132074 RESTRICTED TO -
DIMENSIONS: mm [INCHES] 	TOLERANCES UNLESS OTHERWISE SPECIFIED: 0 PLC ±- 1 PLC ±.1 2 PLC ±0.25 [.010] 3 PLC ±- 4 PLC ±- ANGLES ±-	MATERIAL NYLON FINISH BLACK	CUSTOMER DRAWING SCALE 4:1 SHEET 1 OF 1 REV A1

A

A