



PART NAME

NEMA DIE CAST ALUM. ENCLOSURE w/MTG. BRKT.

PART No.

AN-2820-A & AN-2820-AB

REVISION DATE

9-30-15

UL LISTED FOR U.S. AND CANADA - FILE #E194432

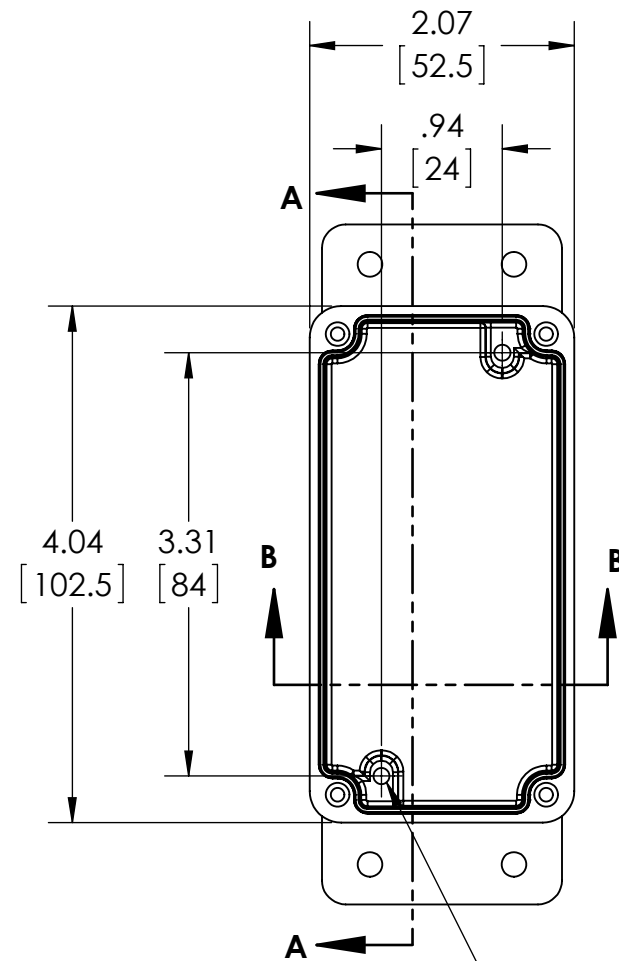
UPDATE REPLACES PART NO. AN-2820 & AN-2820-B

DRAWING FOR REFERENCE

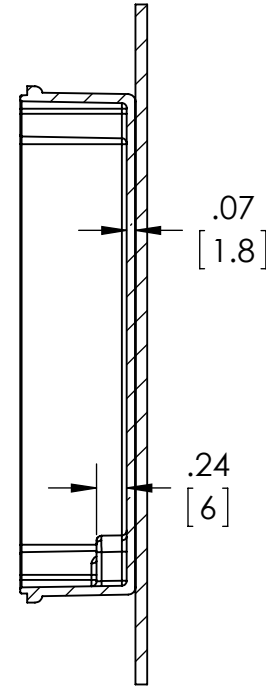
WE RESERVE THE RIGHT TO MAKE CHANGES TO OUR STANDARD PRODUCTS. PLEASE CONSULT WITH BUD INDUSTRIES PRIOR TO USING THIS DRAWING FOR DESIGN PURPOSE.

TYPE RATING 4, 4X, 6, 6P, 12 AND 13, COMPARE TO IP-68

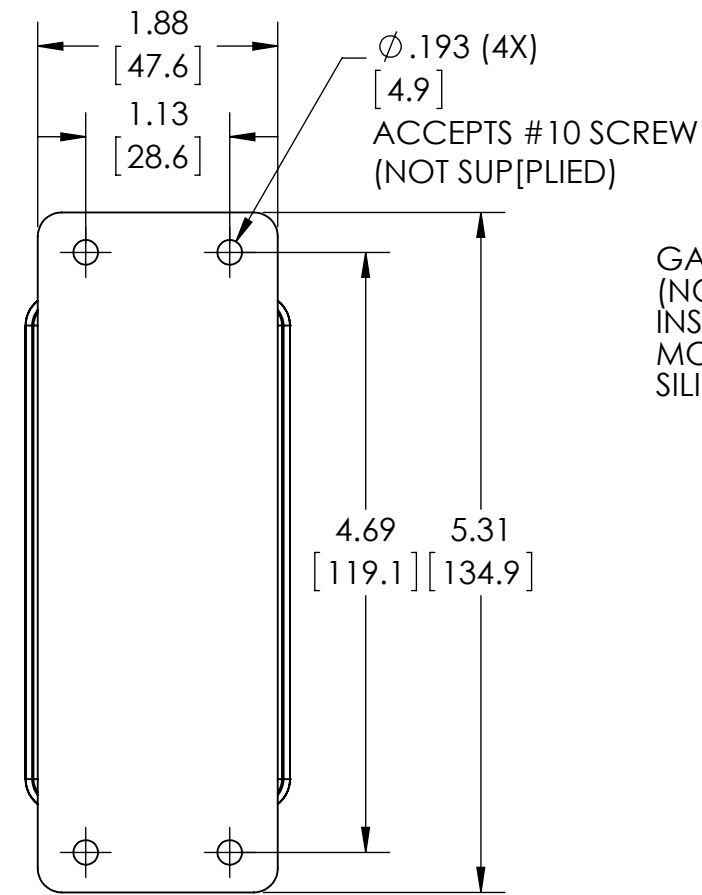
80°C. MAXIMUM OPERATING TEMPERATURE



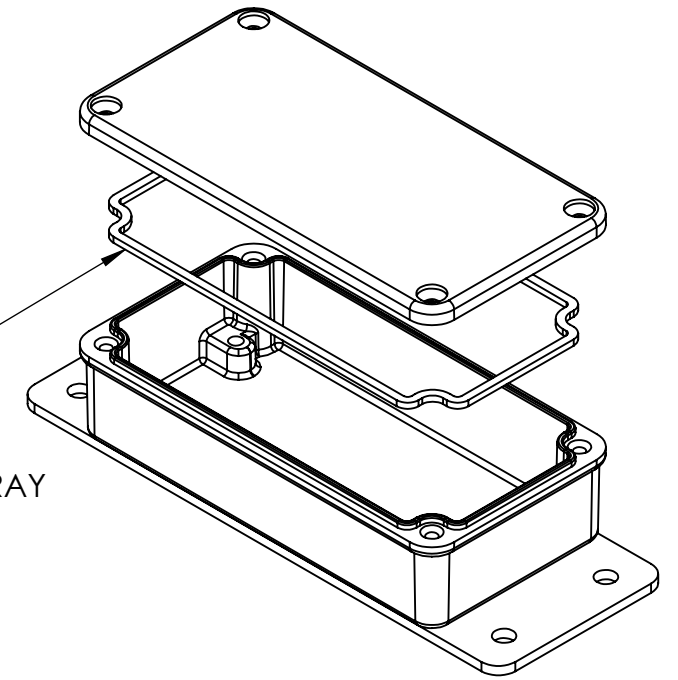
BODY COVER NOT SHOWN



SECTION A-A



GASKET (NOT INSTALLED) MOLDED SILICONE GRAY



$\phi .126 \times .236$ DEEP (2X)
 [3.2] [6]
 ACCEPTS M3.5 x 6mm LG.
 OR #6 x 1/4" LG.
 SELF-TAPPING SCREW
 (NOT SUPPLIED - FOR PCB
 MOUNTING)

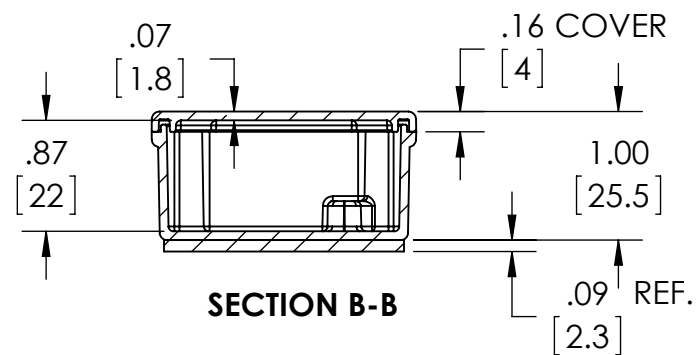
MATERIAL: BODY & COVER - ALUMINUM ALLOY #ADC-12
 MOUNTING BRACKET - .09 THK. ALUMINUM (3003-H14)

FINISH: NATURAL (SUFFIX -A)
 SMOOTH BLACK POWDERCOAT (SUFFIX -AB)

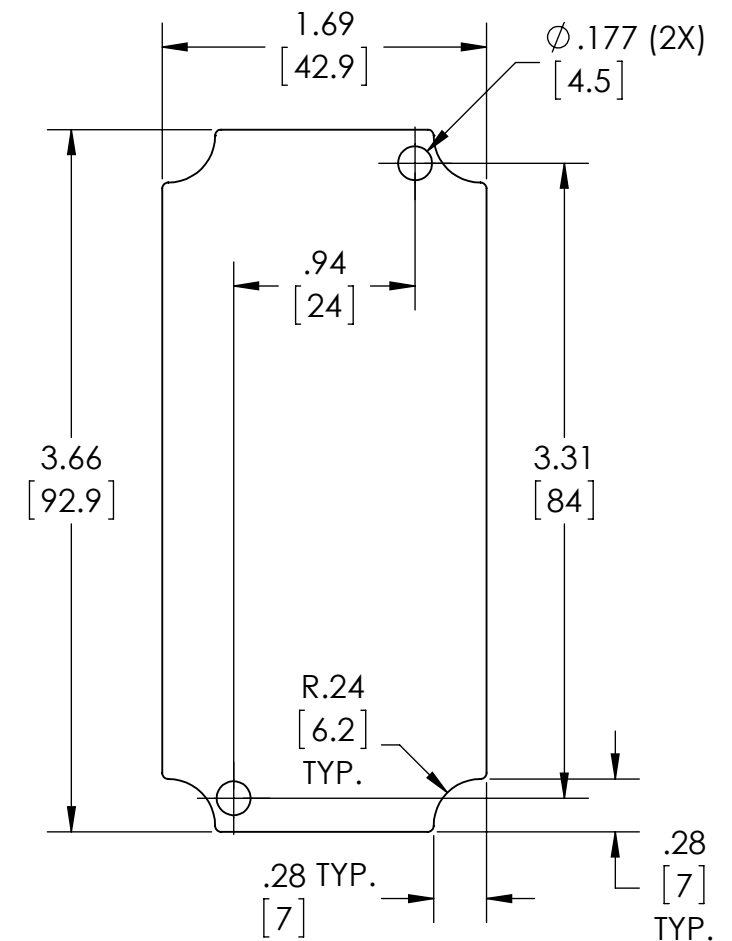
FOUR (4) M3x0.5 x 12mm (.47") LG. 90°CSK. HEAD
 STAINLESS STEEL CAPTIVE SCREWS SUPPLIED FOR ASSEMBLY
 OF COVER TO BODY. APPLY AT 12 IN./LB. OF
 TORQUE.

OUTSIDE AND INSIDE DRAFT ANGLE: 1°
 DIMENSIONS ARE INCH[MM]

OPTIONAL ACCESSORIES:
 PCB MOUNTING KIT #57-58
 INTERNAL PANEL #ANX-91320
 REPLACEMENT GASKET #1320GSKTSC



SECTION B-B



OPTIONAL INTERNAL PANEL AND SUGGESTED PC BOARD LAYOUT