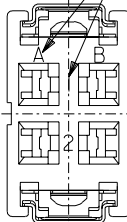
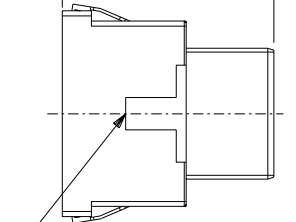


回路番号表示
CKT.No.IDENTIFICATION



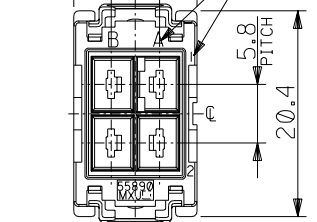
電線挿入側
WIRE SIDE

21



シェル挿入方向キー
POLARIZATIONS KEY FOR SHELL

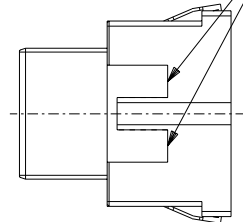
12.2
4.8 PITCH



嵌合側
MATING SIDE

回路番号表示
CKT.No.IDENTIFICATION

シェル挿入方向キー
POLARIZATIONS KEY FOR SHELL



注記
NOTES

- 材質
MATERIAL
①ハウジング：ガラス入りPBT樹脂
HOUSING : PBT G.F.
UL94V-0 色：黒
UL94V-0 COLOR : BLACK
②スプリング：ステンレス鋼 t0.3
SPRING : STAINLESS STEEL t0.3
- 適用端子：56193-4*85
APPLICABLE CRIMP PIN : 56193-4*85
- 適用リセプタクル シェル：56377-12**
APPLICABLE RECEPTACLE SHELL : 56377-12**
- 嵌合相手：51301-040*
MEET WITH : 51301-040*

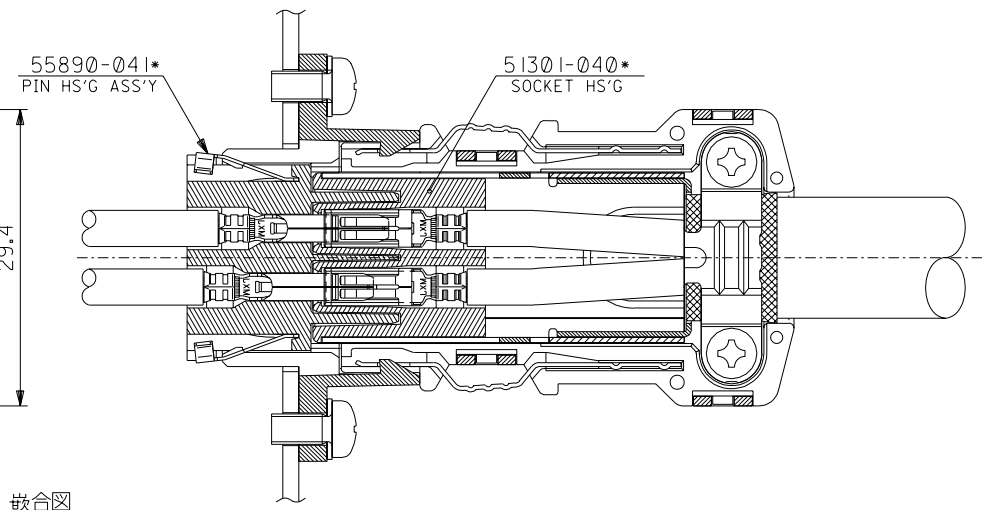
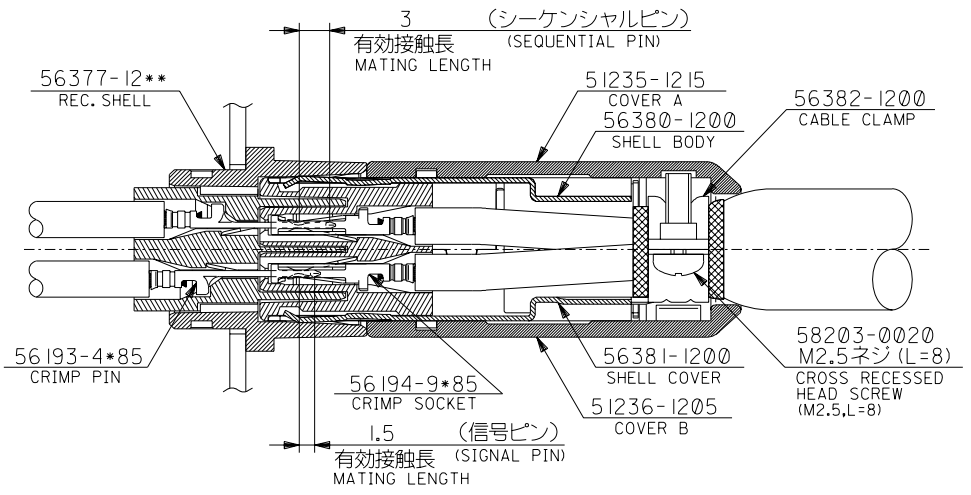
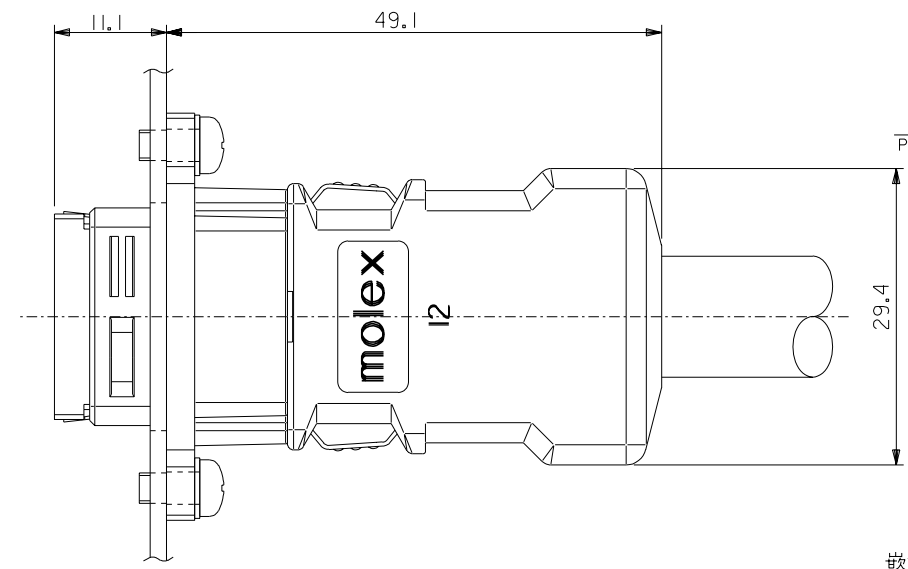
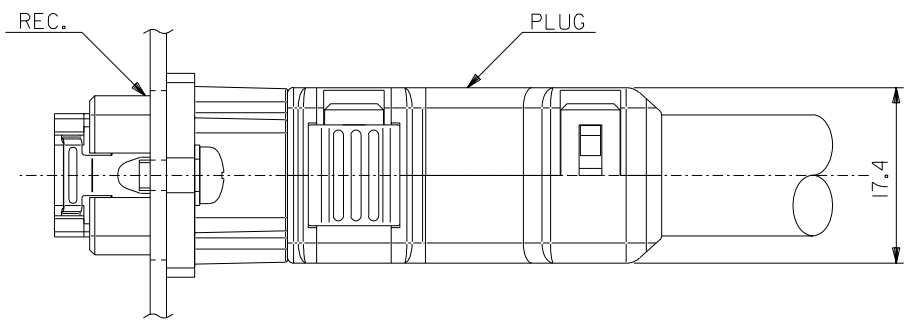
<誤嵌合防止キー（極性）タイプ>
<POLARITY KEY TYPE>

55890-0401	55890-0402	55890-0403	55890-0404
A TYPE (CKT No. A-1)	B TYPE (CKT No. A-2)	C TYPE (CKT No. B-1)	D TYPE (CKT No. B-2)

D	55890-0414	55890-041*	4
C	55890-0413		
B	55890-0412		
A	55890-0411		
POLARITY TYPE	MATERIAL No.	MODEL No.	CIRCUIT

DO NOT SCALE DRAWING

EC NO. DRWN: CHK: APPR:	EC NO. DRWN: CHK: APPR:	EC NO. DRWN: CHK: APPR:	REVISED 02/04/15 EC NO. J2002-2601 DRWN: S.AKIYAMA CHK: J.MIYAZAWA APPR: YO.ITO	RELEASED 01/10/12 EC NO. J2002-0854 DRWN: S.AKIYAMA CHK: J.MIYAZAWA APPR: YO.ITO	MATERIAL 材料 注記参照 SEE NOTES	GENERAL TOLERANCES: (UNLESS SPECIFIED) 一般公差	SCALE 2-1	DESIGN UNITS <input checked="" type="checkbox"/> mm <input type="checkbox"/> INCH	THIRD ANGLE PROJECTION <input type="checkbox"/> mm <input type="checkbox"/> INCH <input checked="" type="checkbox"/> mm ONLY	SHT 4 REV REVISE ON CAD ONLY	
			A	0	DESCRIPTION FINISH 仕上げ —	10 UNDER 未満 ±0.2 10 OVER 30 UNDER 未満 ±0.25 30 OVER 以上 ±0.3	DRAWN BY & DATE S. Akiyama 01/10/11	TITLE: COMPACT ROBOT CONN. POWER REC. PIN HS'G ASS'Y	MOLEX MOLEX INCORPORATED		
					WIRE RANGE 適用電線範囲 —	ANGLE 角度 ±3°	APPROVED BY & DATE Y.Ota	CAD FILENAME 55890003.S01	MATERIAL NO. SEE CHART	DRAWING NO. SD-55890-003	SHEET NO. 1 OF 4
					INS. RANGE 被覆外径 —	THIS DRAWING CONTAINS INFORMATION THAT IS PROPRIETARY TO MOLEX INCORPORATED AND SHOULD NOT BE USED WITHOUT WRITTEN PERMISSION.				SIZE B	

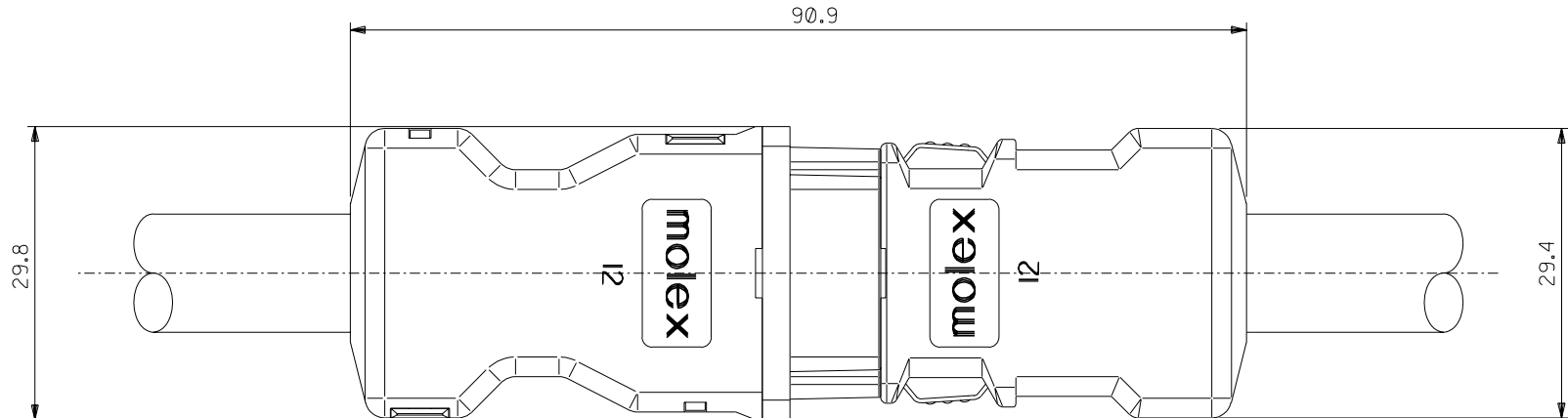
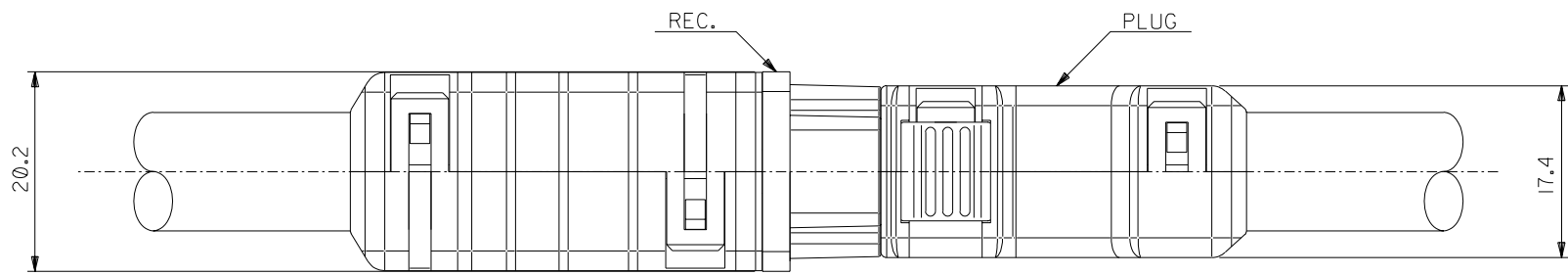


敬合図
CROSS-SECTION VIEW OF MATED CONNECTOR

DO NOT SCALE DRAWING

EC NO. DRWN: CH'K: APPR:		EC NO. DRWN: CH'K: APPR:		EC NO. DRWN: CH'K: APPR:		REVISED '02/04/15 EC NO. J2002-2601 DRWN: S.AKIYAMA CH'K: J.MIYAZAWA APPR: YO.IITO		A		REVISED '01/10/12 EC NO. J2002-0854 DRWN: S.AKIYAMA CH'K: J.MIYAZAWA APPR: YO.IITO		0		DESCRIPTION		MATERIAL 材料		GENERAL TOLERANCES: (UNLESS SPECIFIED) 一般公差		SCALE 2-1		DESIGN UNITS mm □ INCH		THIRD ANGLE PROJECTION		DIMENSIONS: □ mm □ INCH		SHT		REV											
FINISH 仕上げ		WIRE RANGE 適用配線範囲		INS. RANGE 被覆外径		SEE NOTES		#		#		#		#		#		10 UNDER 未滿 ±0.2		10 OVER 30 UNDER 未滿 ±0.25		30 OVER 以上 ±0.3		ANGLE 角度 ±3°		DRAWN BY & DATE <i>S. Akisama</i> '01/10/11		CHECKED BY & DATE <i>J. Maruwa</i>		APPROVED BY & DATE <i>Y. Ito</i>		CAD FILENAME 55890003.S02		MATERIAL NO. SEE CHART		DRAWING NO. SD-55890-003		SHEET NO. 2 OF 4		REVISION REVISION ON CAD ONLY	
TITLE: COMPACT ROBOT CONN. POWER REC. PIN HS'G ASS'Y		MATERIAL NO. SEE CHART		DRAWING NO. SD-55890-003		SHEET NO. 2 OF 4		MOLEX MOLEX INCORPORATED		THIS DRAWING CONTAINS INFORMATION THAT IS PROPRIETARY TO MOLEX INCORPORATED AND SHOULD NOT BE USED WITHOUT WRITTEN PERMISSION.		SIZE B																													

DWG. NO.
SD-55890-003



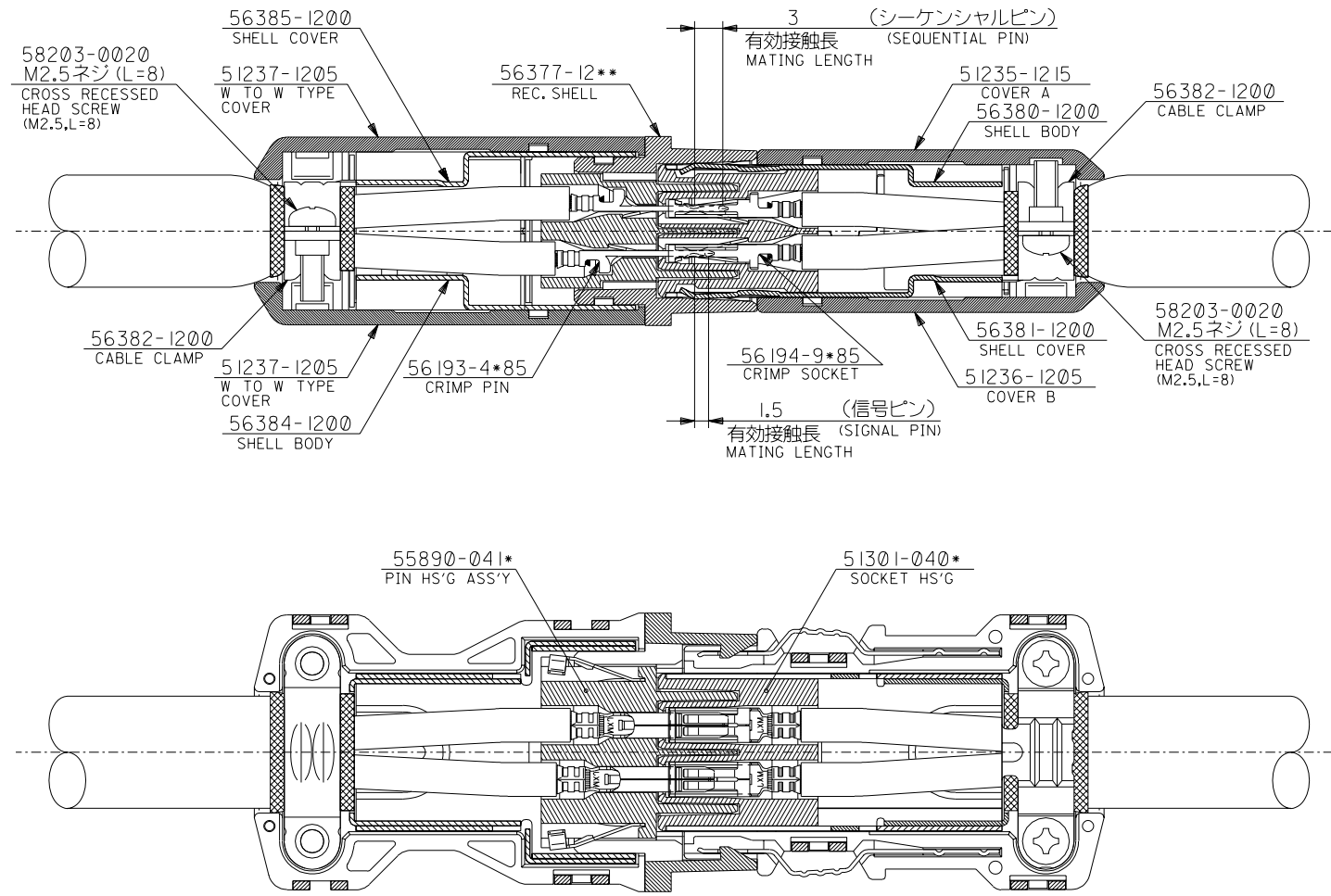
嵌合図 (中継タイプ)
CROSS-SECTION VIEW OF MATED CONNECTOR
(WIRE TO WIRE TYPE)

DO NOT SCALE DRAWING

EC NO. DRWN: CHK: APPR:	EC NO. DRWN: CHK: APPR:	EC NO. DRWN: CHK: APPR:	REVISED '02/04/15	MATERIAL 材料	GENERAL TOLERANCES: (UNLESS SPECIFIED) 一般公差	SCALE	DESIGN UNITS	THIRD ANGLE PROJECTION	DIMENSIONS:		SHT	REV	
			EC NO. J2002-2601 DRWN: S.AKIYAMA CHK: J.MIYAZAWA APPR: YO.ITO			FINISH 仕上げ	10 UNDER 未満		±0.2	2-1	mm	mm	mm
A	0	0	RELEASED '01/10/12	DESCRIPTION	SEE NOTES	10 OVER 30 UNDER 以上 未満	±0.25	DRAWN BY & DATE <i>S. Akigama</i> '01/10/11	TITLE: COMPACT ROBOT CONN. POWER REC. PIN HS'G ASS'Y				
			EC NO. J2002-0854 DRWN: S.AKIYAMA CHK: J.MIYAZAWA APPR: YO.ITO			30 OVER 以上	±0.3						CHECKED BY & DATE <i>J. Morawo</i>
REV	INS. RANGE 被覆外径	—	—	WIRE RANGE 適用配線範囲	—	ANGLE 角度	±3°	APPROVED BY & DATE <i>Y. Ito</i>	MOLEX INCORPORATED		MATERIAL NO. SEE CHART	DRAWING NO. SD-55890-003	SHEET NO. 3 OF 4
								THIS DRAWING CONTAINS INFORMATION THAT IS PROPRIETARY TO MOLEX INCORPORATED AND SHOULD NOT BE USED WITHOUT WRITTEN PERMISSION.				SIZE B	

A
55890003.S03

DWG. NO. SD-55890-003



嵌合図 (中継タイプ)
CROSS-SECTION VIEW OF MATED CONNECTOR
(WIRE TO WIRE TYPE)

DO NOT SCALE DRAWING

EC NO. DRWN: CHK: APPR:	EC NO. DRWN: CHK: APPR:	EC NO. DRWN: CHK: APPR:	REVISED '02/04/15	MATERIAL 材料	GENERAL TOLERANCES: (UNLESS SPECIFIED) 一般公差	SCALE 2-1	DESIGN UNITS <input checked="" type="checkbox"/> mm <input type="checkbox"/> INCH	THIRD ANGLE PROJECTION	DIMENSIONS: <input type="checkbox"/> mm <input type="checkbox"/> INCH <input checked="" type="checkbox"/> mm ONLY	SHT REVISE ON CAD ONLY	REV
			EC NO. J2002-2601 DRWN: S.AKIYAMA CHK: J.MIYAZAWA APPR: YO.ITO								
A	0	0	EC NO. J2002-0854 DRWN: S.AKIYAMA CHK: J.MIYAZAWA APPR: YO.ITO	FINISH 仕上げ	10 OVER 30 UNDER 未満	±0.25	CHECKED BY & DATE J. Morawo	MATERIAL NO. SEE CHART	SHEET NO. 4 OF 4		
			INS. RANGE 被覆外径	—	30 OVER 以上	±0.3	APPROVED BY & DATE Y. Ota			MATERIAL NO. SEE CHART	
注記参照 SEE NOTES						ANGLE 角度	±3°	CAD FILENAME 55890003.S04	MATERIAL NO. SEE CHART	SHEET NO. 4 OF 4	

THIS DRAWING CONTAINS INFORMATION THAT IS PROPRIETARY TO MOLEX INCORPORATED AND SHOULD NOT BE USED WITHOUT WRITTEN PERMISSION.

A
55890003.S04