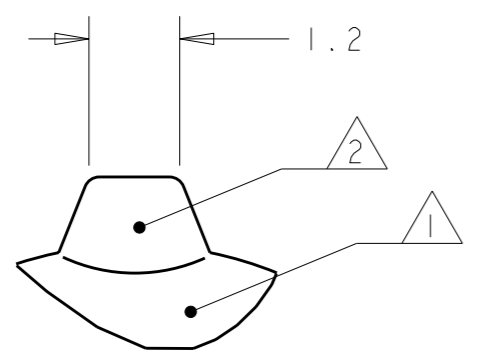


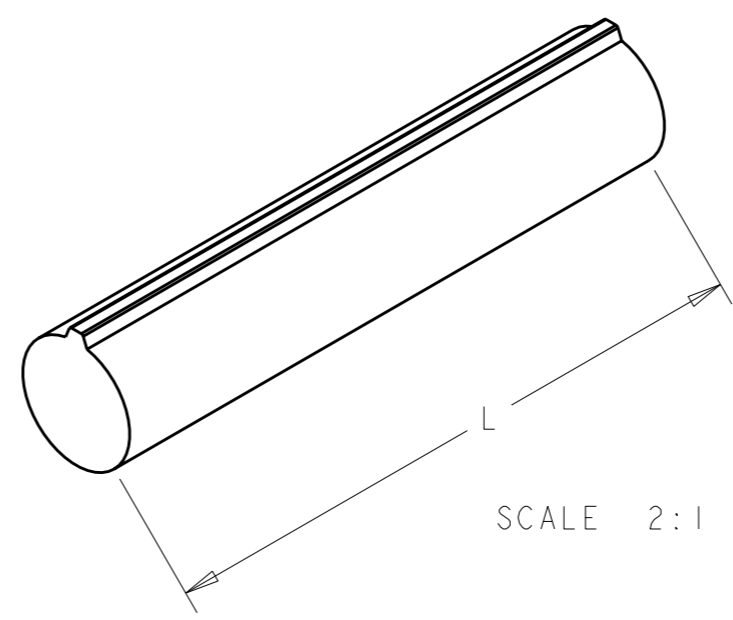
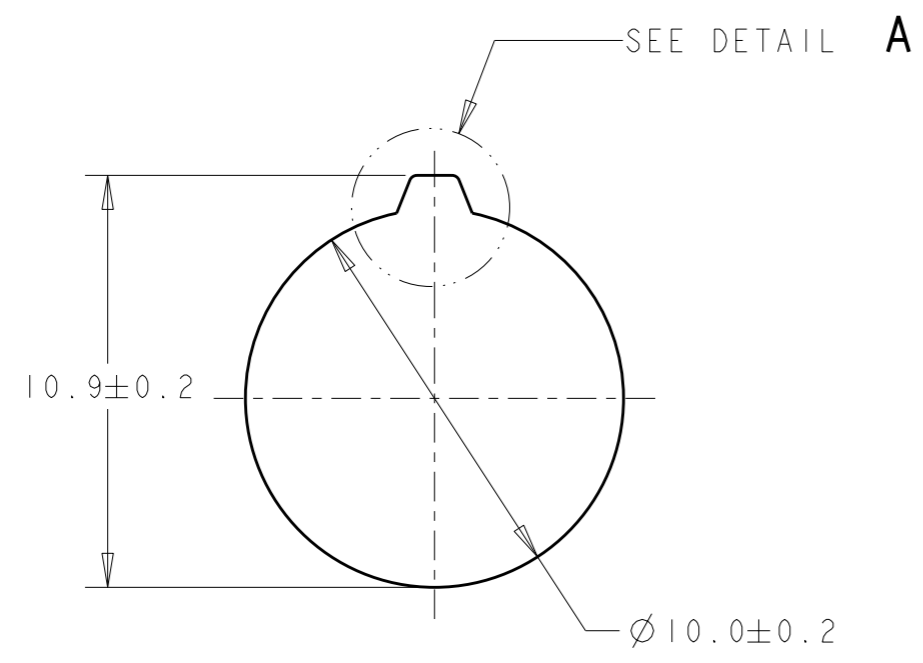
THIS DRAWING IS UNPUBLISHED. RELEASED FOR PUBLICATION 20  
 © COPYRIGHT 20 BY TYCO ELECTRONICS CORPORATION. ALL RIGHTS RESERVED.

LOC	DIST	REVISIONS					
		P	LTR	DESCRIPTION	DATE	DWN	APVD
-	-		1	DRAWN	23APR2008	RB	CG
			2	REDUCED LENGTH TOLS ON -1.-2,-3,-4.-10	19AUG2008	RB	CG
			3	ADDED -11	01JUN2009	CD	CG



DETAIL A  
SCALE 10:1

△ 1 MAT'L: CLEAR AREA: CLEAR OPTICAL ACRYLIC.  
 △ 2 MAT'L: WHITE AREA: WHITE ACRYLIC.



400±10	1-2058295-1
178±10	1-2058295-0
1250±20	2058295-9
3000±20	2058295-8
2000±20	2058295-7
1000±20	2058295-6
760±20	2058295-5
610±10	2058295-4
460±10	2058295-3
305±10	2058295-2
150±10	2058295-1
L (mm)	TE P/N

TYCO ELECTRONICS  
 CONFIDENTIAL  
 AND PROPRIETARY

PROPOSED DESIGN  
 NOT PRODUCTION TOOLED

DESIGN IS SUBJECT TO  
 CHANGE WITHOUT NOTICE

<small>THIS DRAWING IS A CONTROLLED DOCUMENT FOR TYCO ELECTRONICS CORPORATION          IT IS SUBJECT TO CHANGE AND THE CONTROLLING ENGINEERING ORGANIZATION          SHOULD BE CONTACTED FOR THE LATEST REVISION.</small>		DWN R BROWN 23APR2008 CHK C GINGRICH 23APR2008 APVD C GINGRICH 23APR2008	Tyco Electronics Harrisburg, PA 17105-3608
DIMENSIONS: mm	TOLERANCES UNLESS OTHERWISE SPECIFIED: 0 PLC ±0.5 1 PLC ±0.2 2 PLC ± 3 PLC ± 4 PLC ± ANGLES ±	PRODUCT SPEC APPLICATION SPEC WEIGHT	NAME CO-EXTRUSION, LIGHTPIPE, 10mm, RAW
MATERIAL -	FINISH -	CUSTOMER DRAWING	SIZE A3 CAGE CODE 00779 DRAWING NO C-2058295 RESTRICTED TO -
		SCALE 5:1	SHEET 1 OF 1 REV 3