

LED Holder for 3 mm and 5 mm LED



**Description**

- PCB Mounting
- Up to 8 holders possible
- Arrangement in-line and in blocks
- For 3 mm or 5 mm LED's

**Weblinks**

[html-datasheet](#), [CE declaration of conformity](#), [RoHS](#), [CHINA-RoHS](#), [CAD-Drawings](#), [Detailed request for product](#)

**Technical Data**

**Climatical Data**

Operating Temperature	-25 to 85 °C
Storage Temperature	-55 to 100 °C

**Soldering Data**

Solderability	235 °C / 2 sec acc. to IEC 60068-2-20 , Test Ta, method 1
Resistance to Soldering Heat	260 °C / 5 sec acc. to IEC 60068-2-20 , Test Tb, method 1A

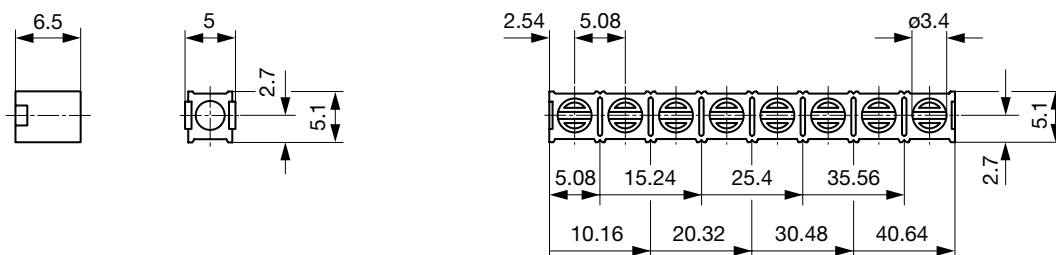
**Material**

Socket	Thermoplastic
--------	---------------

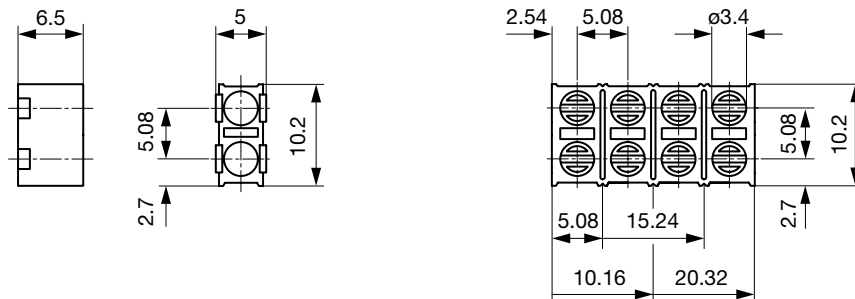
Detailed information on product approvals, code requirements, usage instructions and detailed test conditions can be looked up in [General Product Information](#)

**Dimension**

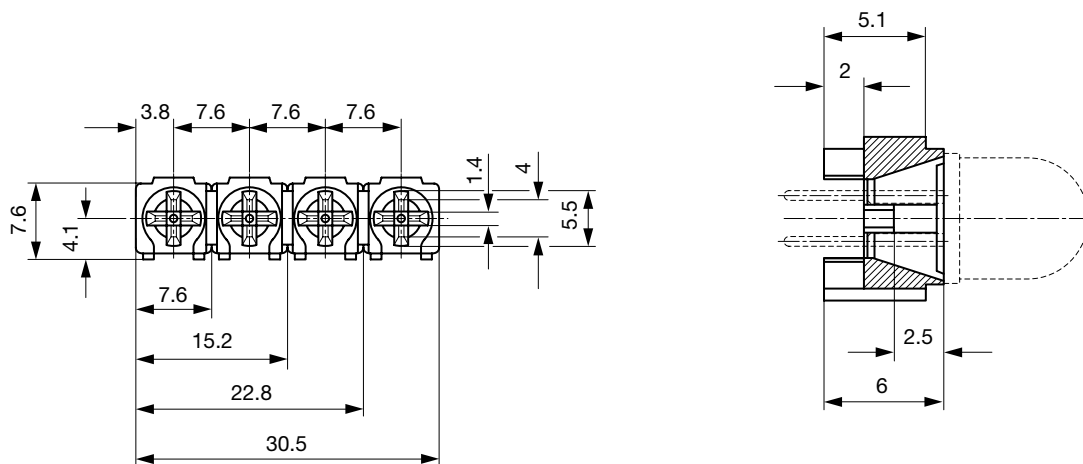
AST single 3 mm / AST row 3 mm



AST double 3 mm / AST double row 3 mm



AST row 5 mm



All Variants

Diameter LED	Type	Order Number
5 mm	1x4 Array	0035.9203
5 mm	1x3 Array	0035.9204
5 mm	1x2 Array	0035.9205
5 mm	1x1 Array	0035.9206
3 mm	1x1 Array	0035.9610
3 mm	1x2 Array	0035.9611
3 mm	1x3 Array	0035.9612
3 mm	1x4 Array	0035.9613
3 mm	1x5 Array	0035.9614
3 mm	1x7 Array	0035.9616
3 mm	1x8 Array	0035.9617
3 mm	2x1 Array	0035.9660
3 mm	2x2 Array	0035.9661
3 mm	2x3 Array	0035.9662
3 mm	2x4 Array	0035.9663

Most Popular.

---

Diameter LED	Type	Order Number
--------------	------	--------------

Availability for all products can be searched real-time:<http://www.schurter.com/en/Stock-Check/Stock-Check-SCHURTER>

---