

# 丸形

# Round Type

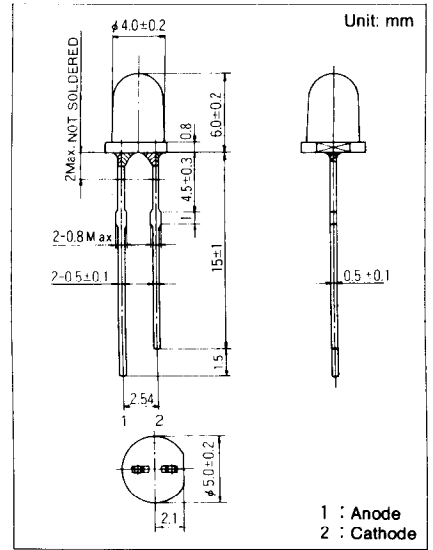
## φ 4.0mm Series

Type No.	Lighting Color
LN49YPP	Amber
LN49YCPP	Amber
LN89RPP	Orange
LN89RCPP	Orange

### 絶対最大定格 Absolute Maximum Ratings (Ta=25 °C)

Lighting Color	P <sub>D</sub> (mW)	I <sub>F</sub> (mA)	I <sub>FP</sub> (mA)*	V <sub>R</sub> (V)	Topr (°C)	Tstg (°C)
Amber	90	30	150	4	-25~+85	-30~+100
Orange	90	30	150	3	-25~+85	-30~+100

\* I<sub>FP</sub>の条件は、duty 10%, Pulse width 1 msec The condition of I<sub>FP</sub> is duty 10% Pulse width 1 msec



### 電気的光学的特性 Electro-Optical Characteristics (Ta=25 °C)

Type No.	Lighting Color	Lens Color	I <sub>O</sub>			V <sub>F</sub>		λ <sub>P</sub>	Δλ	I <sub>F</sub>	I <sub>R</sub>	
			Typ.	Min.	I <sub>F</sub>	Typ.	Max.	Typ.	Typ.		I <sub>F</sub>	Max.
LN49YPP	Amber	Amber Diffused	10.0	3.5	20	2.2	2.8	590	30	20	10	4
LN49YCPP	Amber	Amber Clear	15.0	6.0	20	2.2	2.8	590	30	20	10	4
LN89RPP	Orange	Red Diffused	10.0	3.5	20	2.1	2.8	630	40	20	10	3
LN89RCPP	Orange	Red Clear	30.0	10.0	20	2.1	2.8	630	40	20	10	3
Unit			mcd	mcd	mA	V	V	nm	nm	mA	μA	V

