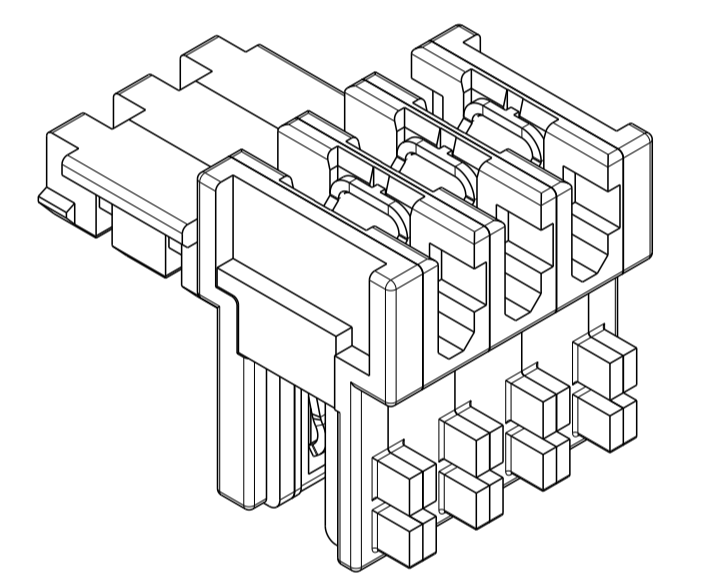
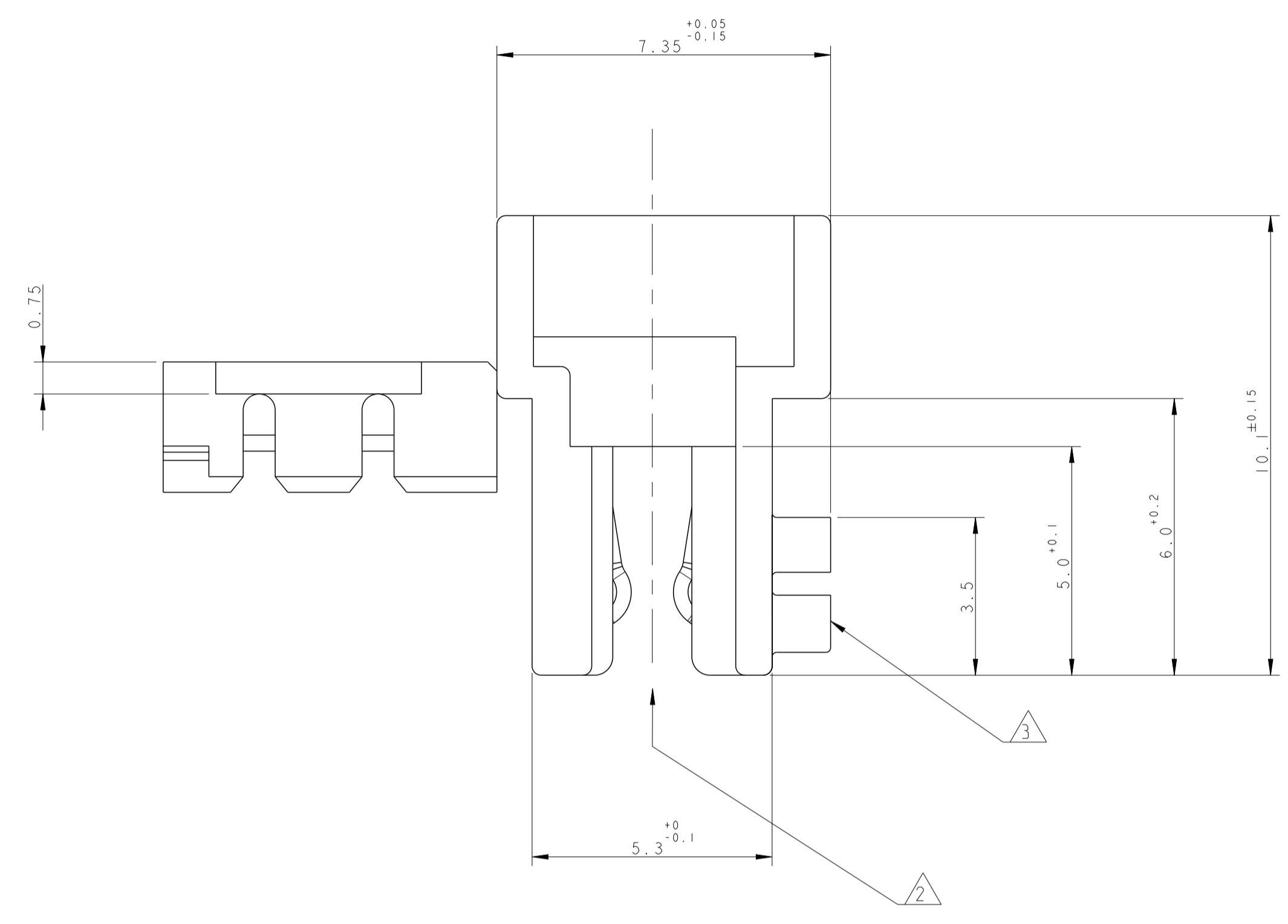
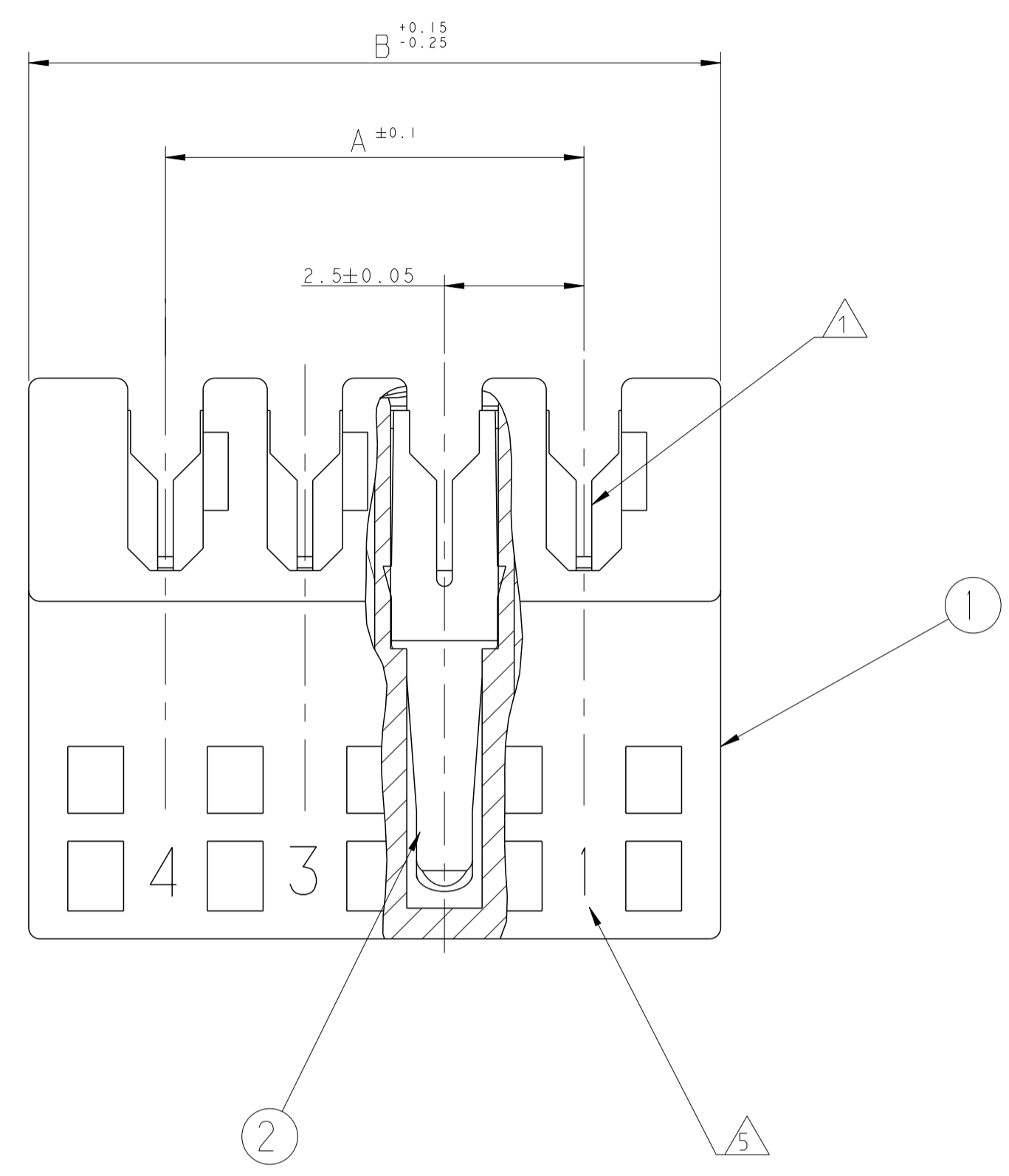
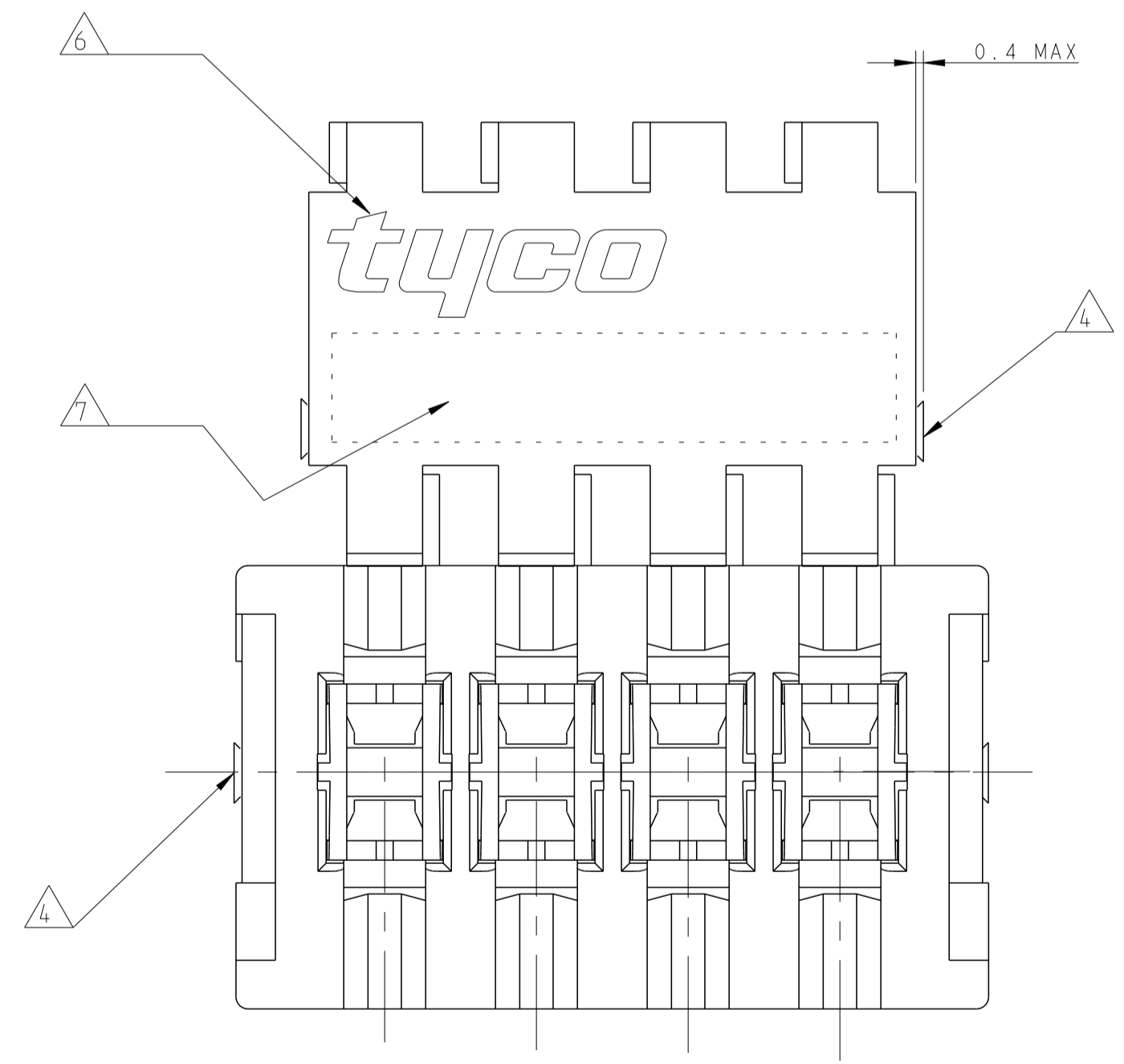


LOC		DIST		REVISIONS			
P	LTN	DESCRIPTION	DATE	DWN	APVD		
A10		REVISED PER ECR-15-012073	13AUG2015	NK	WW		
A12		ECR-16-016334	17NOV2016	FV	RR		



P/N 0-284930-3 AS SHOWN



- ① WIRE RANGE : STRANDED 0.22-0.35 mm² (INS. DIA. 1.30±0.1)
- ② MATING PART: TAB HEADER P/N 829866;
PCB FRAME P/N 964575 (PCB THK 1.5±0.14 COPPER CLADDING INCLUDED)
SEE PRODUCT SPEC. 108-18056 FOR FRAME APPLICATION
- ③ KEYING RIBS TO BE REMOVED BY TERMINATION MACHINE
- ④ CUT OFF DIMENSION DUE TO PRODUCTION PROCESS
- ⑤ CIRCUIT No. IDENTIFICATION
- ⑥ TYCO ELECTRONICS TRADEMARK (OPTIONAL POSITION)
- ⑦ TAMPOGRAPHIC COLOUR CODE AREA
(P/Ns IDENTIFICATION BEFORE CRIMPING)
- ⑧ OBSOLETE PARTS: OBSOLETE CIS STREAMLINING PER D.RENAUD/D.SINISI
- ⑨ PBT GF
- ⑩ PBT GF, GWEPT 750 NO-FLAME, NATURAL

COLOUR CODE	HSG POS.	DIM.A	DIM.B	TE P/N	REV		
OBSOLETE	NATURAL	13	30.0	34.9	5x	1-284930-3	-
-	-	11	25.0	29.9	6x	1-284930-1	2311501-1
OBSOLETE	NATURAL	10	22.5	27.4	6x	1-284930-0	-
OBSOLETE	NATURAL	8	17.5	22.4	8x	2-284930-8	-
-	-	7	15.0	19.9	8x	0-284930-8	2311500-8
-	BLUE	6	12.5	17.4	10x	2-284930-6	1-2311500-6
-	-	6	12.5	17.4	10x	0-284930-6	2311500-6
OBSOLETE	NATURAL	5	10.0	14.9	11x	2-284930-5	-
-	-	5	10.0	14.9	11x	0-284930-5	2311500-5
OBSOLETE	NATURAL	4	7.5	12.4	13x	3-284930-4	-
-	RED	4	7.5	12.4	13x	2-284930-4	1-2311500-4
-	-	4	7.5	12.4	13x	0-284930-4	2311500-4
OBSOLETE	NATURAL	3	5.0	9.9	16x	5-284930-3	-
OBSOLETE	BLUE	3	5.0	9.9	16x	4-284930-3	-
OBSOLETE	BROWN	3	5.0	9.9	16x	3-284930-3	-
-	GREEN	3	5.0	9.9	16x	2-284930-3	2-2311500-3
-	-	3	5.0	9.9	16x	0-284930-3	1-2311500-3
COLOUR CODE	HSG POS.	DIM.A	DIM.B	TE P/N	REV		

SEE TABLE	PH. BRONZE, TIN PLATED	IDC RECEPTACLE CONTACT	2	DIMENSIONS: mm		TOLERANCES UNLESS OTHERWISE SPECIFIED:		THIS DRAWING IS A CONTROLLED DOCUMENT.		DWN R. FABRIS 27FEB2004	CHK -	APVD G. TURCO 27FEB2004	NAME	DUOPLUG 2.5 FEMALE CONNECTOR STANDARD VERSION (FULLY LOADED)	RESTRICTED TO
Q.TY	MATERIAL	DESCRIPTION	ITEM	0 PLC ±0.2	1 PLC ±0.2	2 PLC ±0.2	3 PLC ±0.2	4 PLC ±0.2	ANGLES ±°	114-18049-1	WEIGHT	SCALE	5:1	SHEET 1 OF 1	REV A12
REVISIONE DELL'ASSEMBLATO (REVISION OF EACH ASSY NO)				MATERIAL SEE TABLE		FINISH		CUSTOMER DRAWING		CAGE CODE DRAWING NO		A100779C=284930			
ELENCO DEI COMPONENTI (PARTS LIST)															