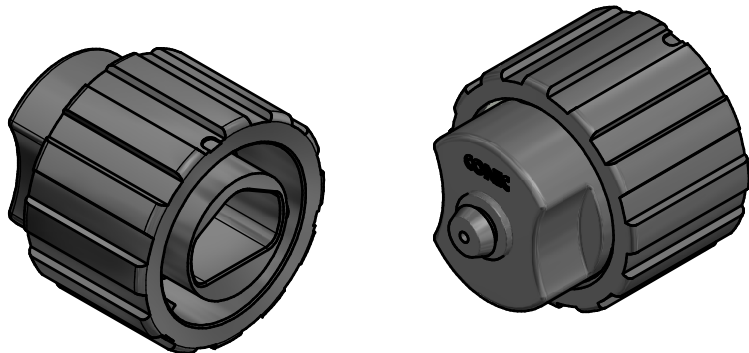
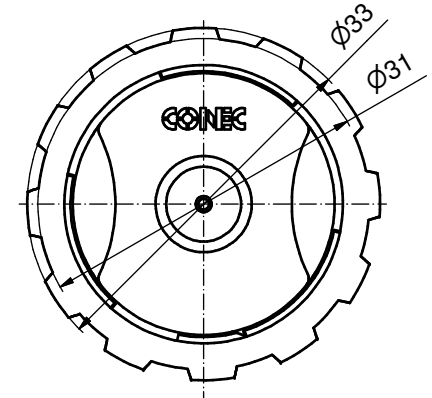
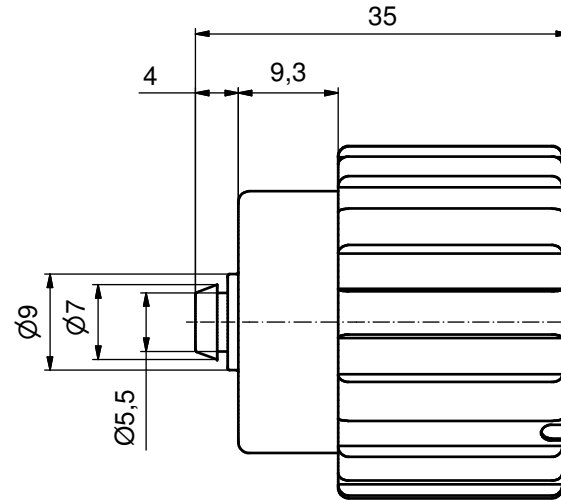
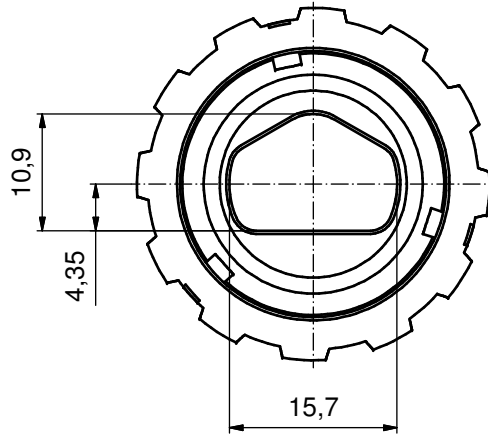
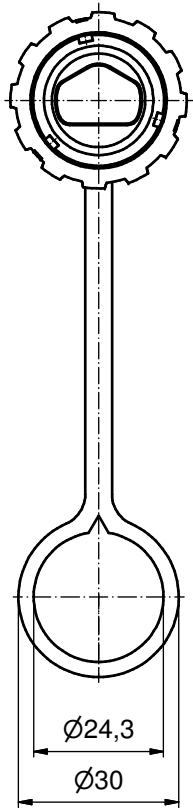


VIEWS WITHOUT TETHER



NOTES:

- MATERIAL AND FINISH:
 - COUPLER RING: PA GF (BLACK); UL94 V-0; UL (f1) RATED
 - COVER HOUSING: PA GF (BLACK); UL94 V-0; UL (f1) RATED
 - TETHER: PE-SW (BLACK),
 - INTERFACIAL SEAL: SILICONE; COLOR: WHITE
 - RETAINING RING: STAINLESS STEEL
- OPERATING TEMPERATURE: -40 °C to +85 °C
- IP67 RATED WHEN COVERED OR FULLY MATED WITH THE APPROPRIATE MATING CONNECTOR

RoHS compliant

THIS DRAWING MAY NOT BE COPIED OR REPRODUCED IN ANY WAY, AND MAY NOT BE PASSED ON TO A THIRD PARTY WITHOUT WRITTEN PERMISSION. OWNERSHIP AND COPYRIGHT OF CONEC GmbH DO NOT ALTER CAD DRAWING BY HAND				dim. in mm		scale: 2:1 material: see notes
				date	name	title: (b) Protective Cover for IP67 Duplex Power 2pos Female receptacle Assembly
				drawn	20.04.15 Henneboel	
				appd.	20.04.15 Koch	
				norm		dwg no: 17K1A464 part no: 17-400410
			d-old			
1 x b	Ä6182	06.06.2016	K.H.			DIN-A3
a	Original					sh: 1
rev.	description	date	name			