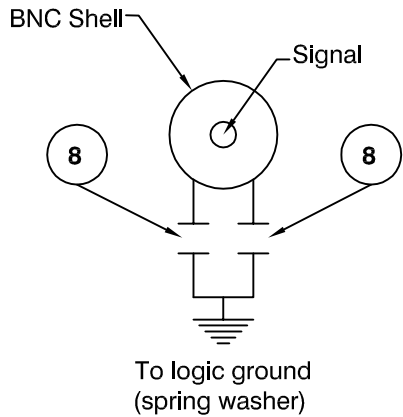
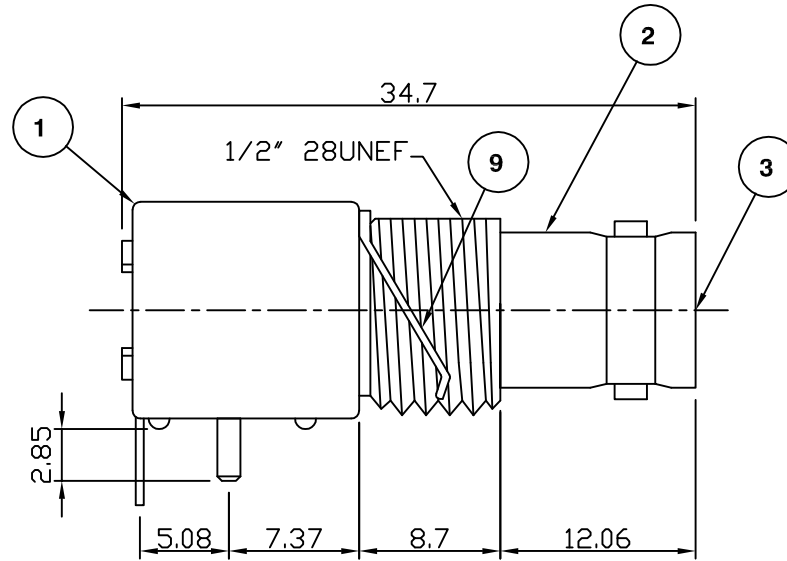
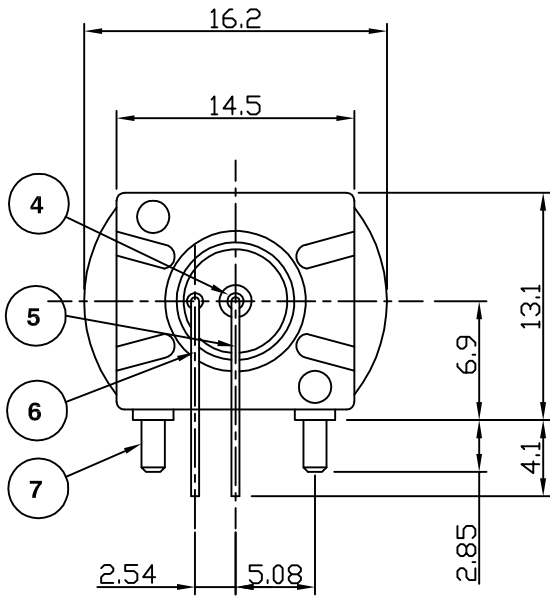
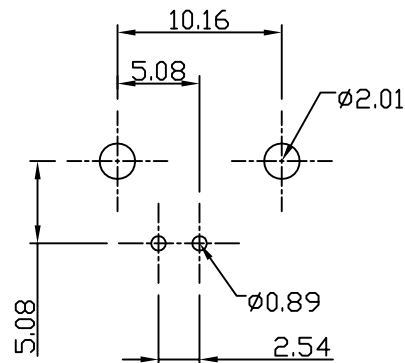


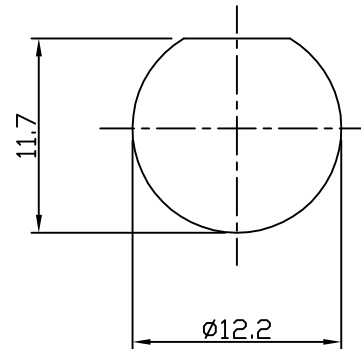
RoHS COMPLIANT



Capacitor Circuit Diagram



Recommended PCB Layout



Panel Cutout

Electrical Characteristics

Nominal Impedance:	50 ohms
Frequency Range:	DC to 1 GHz
Operating Voltage (rms):	500 V maximum at sea level
Dielectric Withstand Voltage (rms):	500 V maximum at sea level
Contact Resistance:	3.0 milliohms maximum
Insulation Resistance:	5000 megohms minimum

Mechanical Characteristics

Mating Cycles:	500 cycles minimum
Interface Dimensions:	Conform to MIL-C-39012

Environmental Characteristics

Temperature Range:	-65 °C to +165 °C
--------------------	-------------------

PART	DESCRIPTION
1	Body PBT + 30% Glass Fibre (UL 94V-0)
2	Body Zinc Alloy, nickel plated
3	Dielectric Polypropylene UL 94HB
4	Contact Phosphor bronze, gold plated (Interface)
5	Signal Contact Copper clad steel, tin plated
6	Ground Contact Copper, tin plated
7	Mounting Post Brass, tin plated
8	Ceramic Chip Capacitor 4700 pF ±10%
9	Spring Washer Phosphor bronze, Nickel plated

Corrected finish of Item 5. was tin lead	MS	7	4 Sep 13
CAD Issue	SN	6	04 Feb 02
New format	DW	5	22 Feb 99
Mounting hole size changed	IS	4	27 Aug 92
Capacitor circuit diagram added	IS	3	19 May 92
Capacitor values added	IS	2	10 April 92
First Issue	IS	1	01 March 92
DESCRIPTION OF REVISION	APPVD	ISS	DATE



Cinch Connectivity Solutions
11 Bilton Road,
Chelmsford,
Essex,
CM1 2UP, UK.
Tel: +44 (0) 1245 359515
Fax: +44 (0) 1245 358938

SCALE: Not To Scale

DIMENSIONS: mm

TOLERANCES:
± 0.2mm unless
otherwise stated

DRAWN BY: S Nash

CHECKED BY: S Nash

APPROVED BY: M Nielsen

DATE: 04 Feb 02

TITLE:

Low Profile BNC Right Angle
PCB Mount Jack Filter
Connector

PART NUMBER:

VBF211

PAGE: 1 of 1