

THIS DRAWING IS UNPUBLISHED.  
VERTRAULICHE UNVERÖFFENTLICHTE ZEICHNUNG

RELEASED FOR PUBLICATION  
FREI FUER VERÖFFENTLICHUNG  
OCT, 1999.  
ALL RIGHTS RESERVED.  
ALLE RECHTE VORBEHALTEN

LOC  
IR

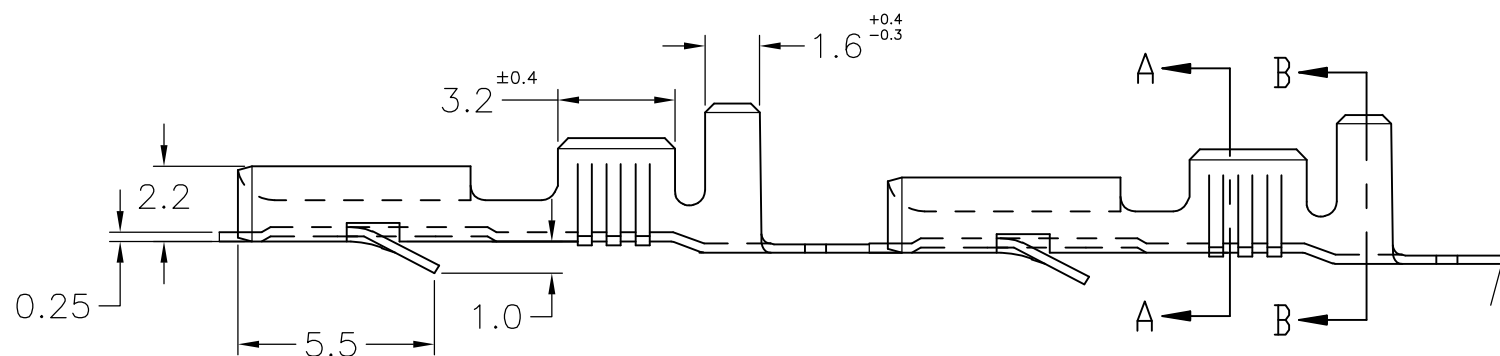
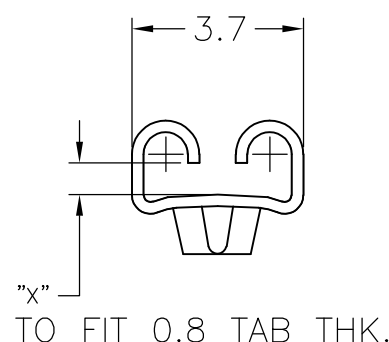
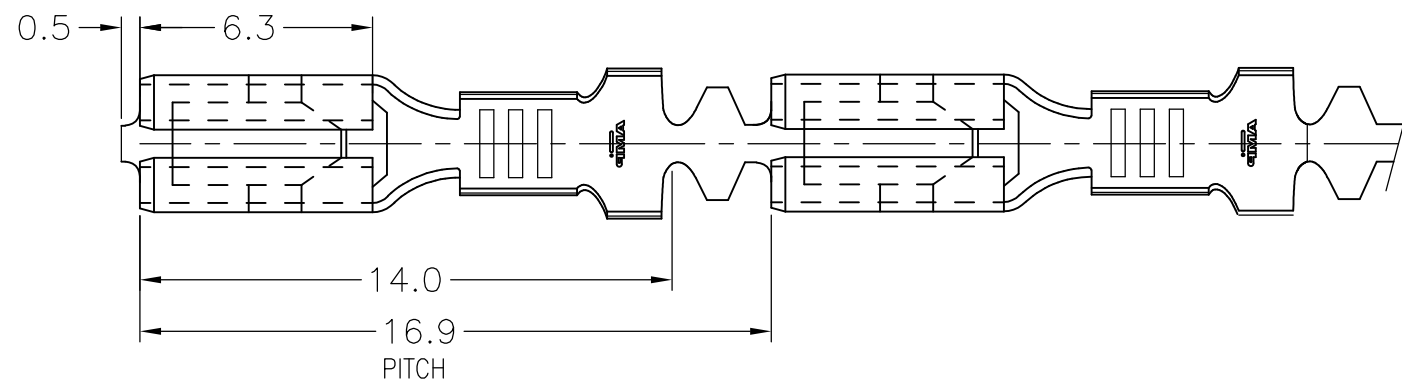
DIST  
—

REVISIONS  
ÄNDERUNGEN  
DESCRIPTION  
BESCHREIBUNG

P LTR  
AG2

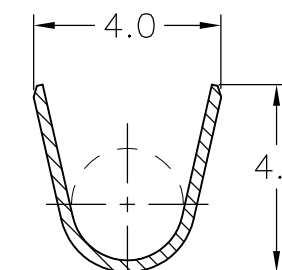
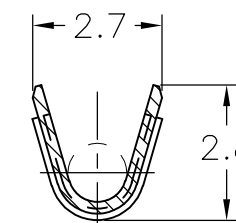
GAP SIZE TOLERANCE CORRECTED

DATE DWN APVD  
22JUL2011 PKS RRP

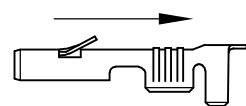


SECTION A-A

SECTION B-B



SUPPLY CONDITION



DIRECTION OFF  
TOP OF REEL

|           |               |           |            |     |
|-----------|---------------|-----------|------------|-----|
| 0.74±0.08 | PRE-TINNED    | BRASS     | 1-160655-1 | AF  |
| 0.68±0.08 | TIN PLATED    | BRASS     | 160655-6   | AF  |
|           | SILVER PLATED | BRASS     | 160655-5   | AF  |
|           | PRE-TINNED    | PH.BRONZE | 160655-4   | AF  |
|           | UNPLATED      | PH.BRONZE | 160655-3   | AF  |
|           | PRE-TINNED    | BRASS     | 160655-2   | AF  |
|           | UNPLATED      | BRASS     | 160655-1   | AF  |
| "X"       | FINISH/COLOR  | MATERIAL  | PN         | REV |

|   |  |  |  |                     |  |
|---|--|--|--|---------------------|--|
| THIS DRAWING IS A CONTROLLED DOCUMENT.<br>DIESE ZEICHNUNG IST EIN KONTROLLIERTES DOKUMENT.  |  | DWN<br>H.YAALI<br>12 OCT 99            | <b>STE</b> TE Connectivity                       |                     |  |
| DIMENSIONS:<br>MASSE/HEITEN:<br>INCHES  |  | CHK<br>C.TARTARI<br>12 OCT 99          |  |                     |  |
| TOLERANCES UNLESS<br>OTHERWISE SPECIFIED:<br>ALLGEMEINTOLERANZEN                            |  | APVD<br>—                              | NAME   |                     |  |
| 0 PLC ± 0.3<br>1 PLC ± 0.3<br>2 PLC ± 0.3<br>3 PLC ± 0.3<br>4 PLC ± —<br>ANGLES/WINKEL ± 2° |  | PRODUCT SPEC<br>PRODUKTSPEZ.           | FASTIN-FASTON CONNECTOR<br>.110 SRS REC. CONTACT |                     |  |
| MATERIAL<br>SEE TABLE   |  | APPLICATION SPEC<br>VERARBEITUNGSSPEZ. | SIZE<br>A3                                       | CAGE CODE<br>00779  | DRAWING NO<br>ZEICHNUNGS-NR.<br>C-160655 |
| WIRE RANGE<br>0.5-1.5 mm <sup>2</sup>   |  | FINISH/OBERFLAECHE/FARBE<br>SEE TABLE  | RESTRICTED TO<br>NUR FUER                        |                     | —  |
| INSUL. RANGE<br>2.0-3.0   |  | CUSTOMER DRAWING/KUNDENZEICHNUNG       |  | SCALE<br>MASSSTAB 5 | SHEET<br>BLATT 1 OF<br>VON 1             |
|   |  |  |  | REV<br>AG2          |  |