

QCM sensors

QCM sensor(Single electrode type)

Seeking QCM sensors ? NDK is happy to provide you high quality QCM sensors , which can be used for other manufacturers' QCM analyzers and your detection unit development using QCM technology.



QCM sensor(FR-4 type)



QCM sensor (Lead pin type)

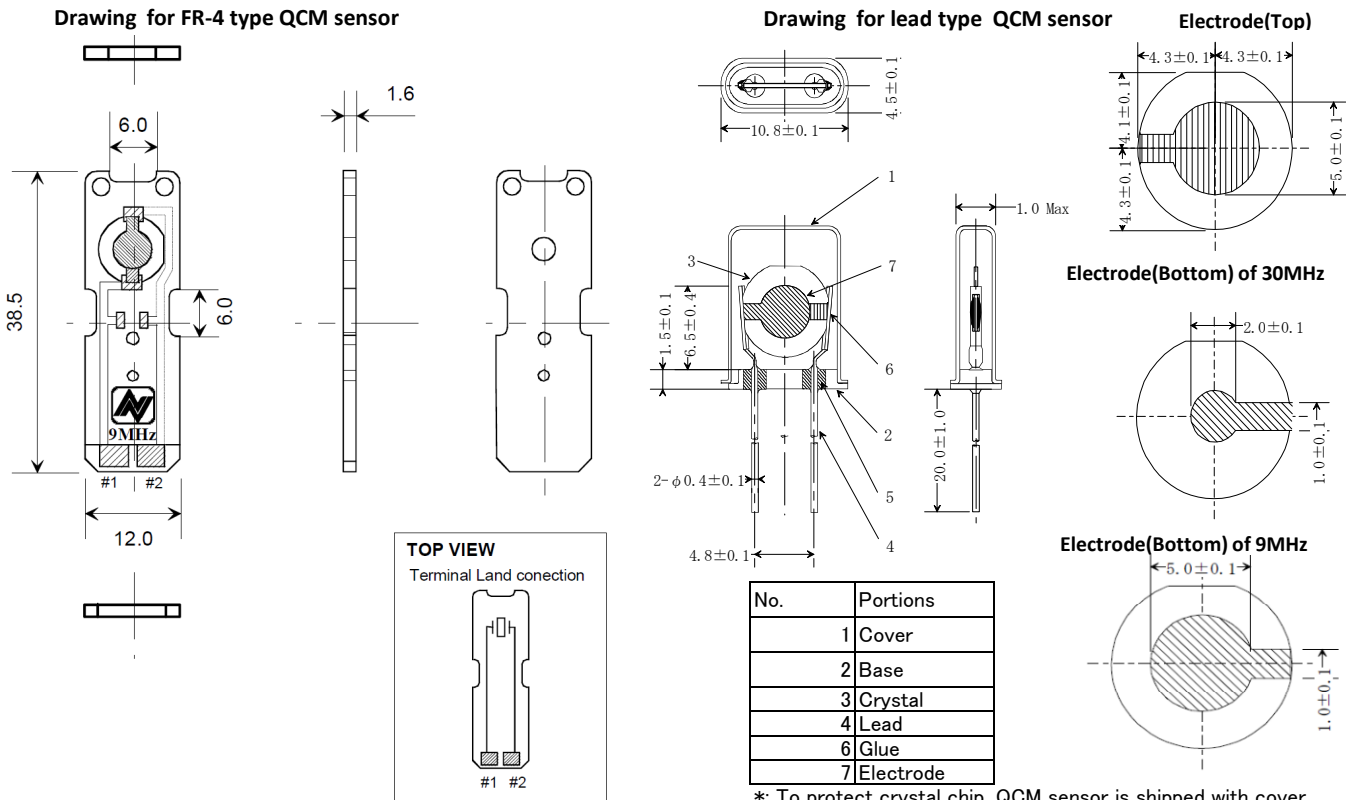
2 kinds of termination are available(FR-4 type and lead pin type)!

Model name	Nominal Frequency (MHz)	Blank Cut Angle	Blank shape	Diameter of Blank (mm)	Holder	Electrode		Operating temperature range (°C)
						Shape	Material (Surface+ground)	
PSA-SL-0901T	9.176	AT cut	Circle plate	φ8.7	Lead type	Single	Au+Cr	+5~+85
PSA-SB-0901T	9.176	AT cut	Circle plate	φ8.7	FR-4 type	Single	Au+Cr	+5~+50
PSA-SL-3001T	30.834	AT cut	Circle plate	φ8.7	Lead type	Single	Au+Cr	+5~+85
PSA-SB-3001T	30.834	AT cut	Circle plate	φ8.7	FR-4 type	Single	Au+Cr	+5~+50

*1: FR-4 type is NDK's unique product with rigid PC board for Crystal chip protection at customers' handling. To use the sensor, an oscillation unit fitting to the termination should be prepared.

*2 To avoid an oxidation of the electrode, each QCM sensor is shipped after vacuum packaging with desiccant. But, for your usage in the best conditions, it is recommended to use your QCM sensor within a year after the purchase. If you open the vacuum package, your QCM sensors should be stored in a desiccator and should be used within 3 months

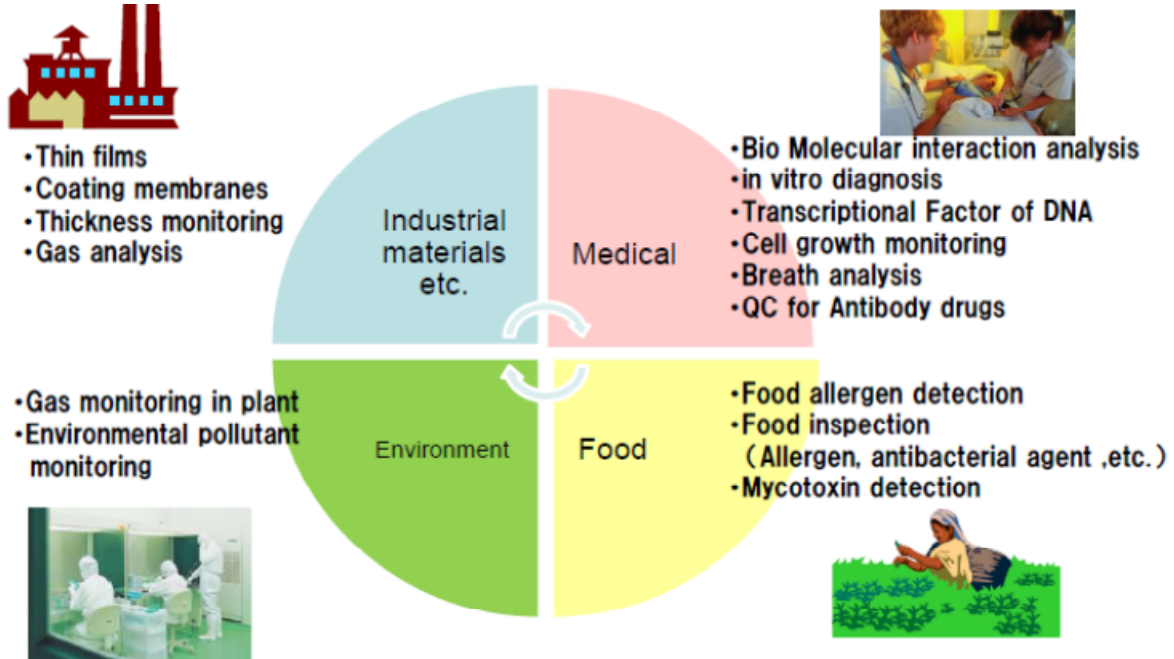
*3: Specifications and product names described in this site are subject to change for improvement without notice. The products are subject to production stoppage without notice.



QCM sensors

Application area

The following s show a small example of the application area. The area is expanding to new



For more details, please visit our website !