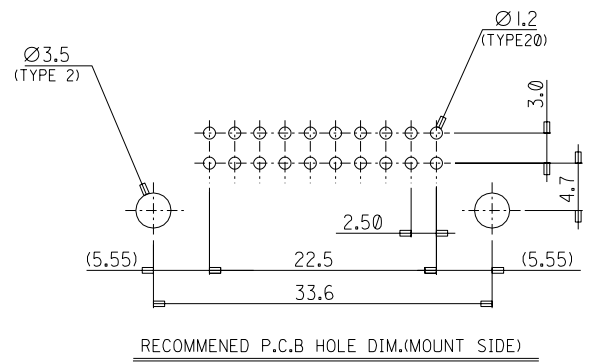
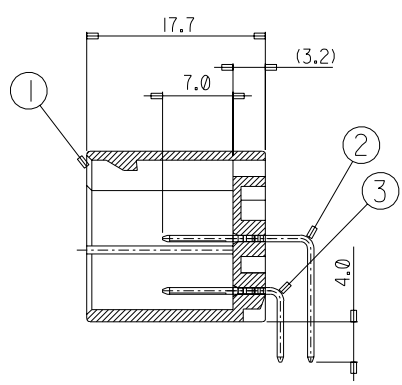
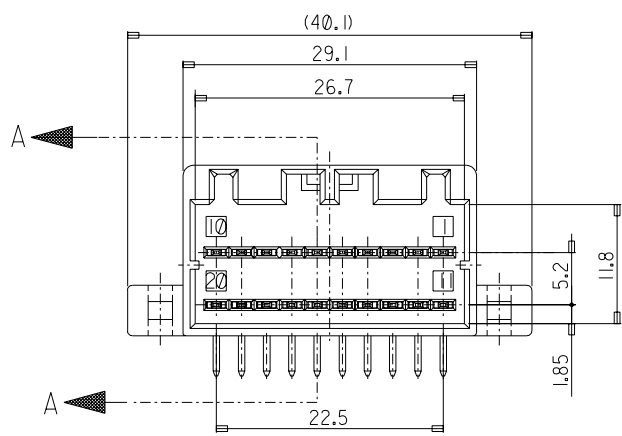
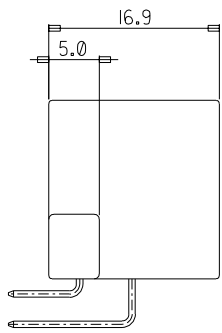
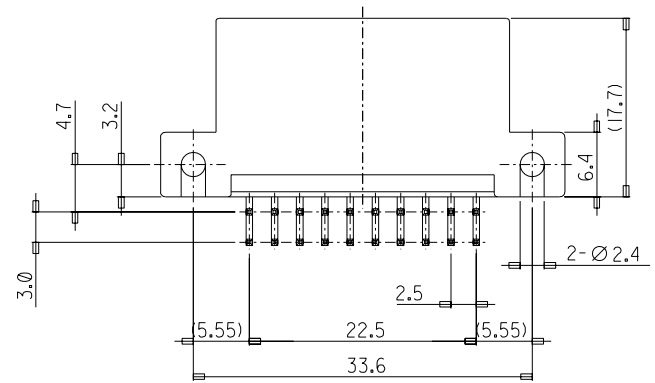


NO.	PART NO.	COLOR
1	68151-2025	GRAY
2	68151-2026	WHITE



SECT.A-A



NOTES

1. APPLICABLE FEMALE HOUSING : 35564-201*
2. MATERIAL: SEE TABLE

NO.	DESCRIPTION	MATERIAL	REMARK
1	HOUSING	PBT	UL94HB
2	PIN(L)	BRASS	PRE-TIN PLATED
3	PIN(S)		

DO NOT SCALE DRAWING DIMENSION IN METRIC

PROJECT NO. SIMILAR ITEM DWG. NO. SD-68151-002

NEW RELEASED EC NO. KOR2003-0128 DRWN: B.C.YOON 02/11/28 CHK: Y.SIK.KIM APPR: C.W.LEE	MAJOR CRITICAL C	QUALITY SYMBOLS		GENERAL TOLERANCES: (UNLESS SPECIFIED)	SCALE 2:1	DESIGN UNITS <input checked="" type="checkbox"/> mm <input type="checkbox"/> INCH	THIRD ANGLE PROJECTION	DIMENSIONS: <input type="checkbox"/> mm <input type="checkbox"/> INCH <input checked="" type="checkbox"/> mm ONLY	SHT	REV
		4 PLACES	±.	±.	DRAWN BY & DATE Y.SIK.KIM 99/04/29		TITLE: 040 WIRE TO BOARD CONNECTOR 20P HEADER ASS'Y (R/A-TYPE)			
		3 PLACES	±.	±.	CHECKED BY & DATE B.K.CHOI 99/04/29		MOLEX MOLEX INCORPORATED			
2 PLACES	±0.25	±.	APPROVED BY & DATE C.W.LEE 99/04/30		CAD FILENAME sd68151a.dgn	MATERIAL NO. 681512025	DRAWING NO. SD-68151-002	SHEET NO. 1 OF 1	THIS DRAWING CONTAINS INFORMATION THAT IS PROPRIETARY TO MOLEX INCORPORATED AND SHOULD NOT BE USED WITHOUT WRITTEN PERMISSION.	
1 PLACE	±0.30	±.	ANGULAR: ± 1 °		DRAFT WHERE APPLICABLE MUST REMAIN WITHIN DIMENSIONS		SIZE B		MX-A3	