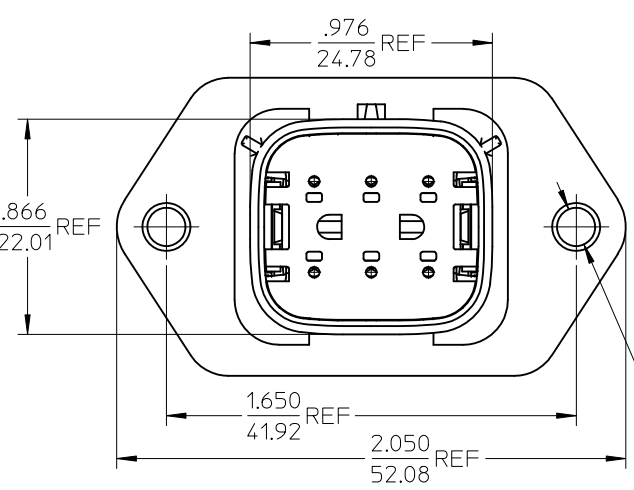
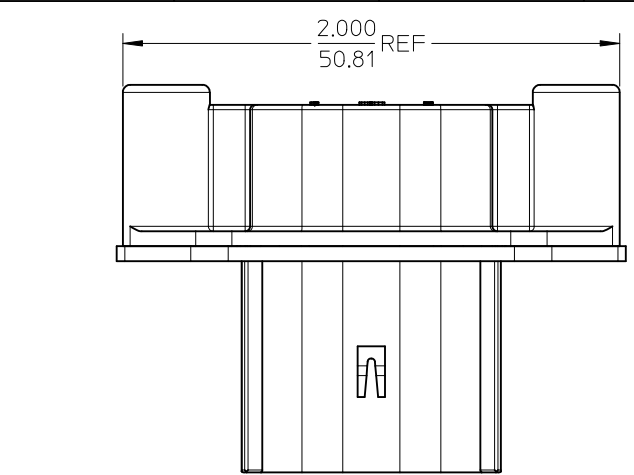
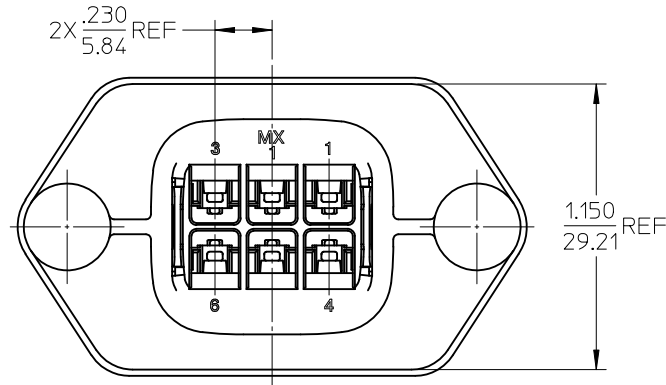
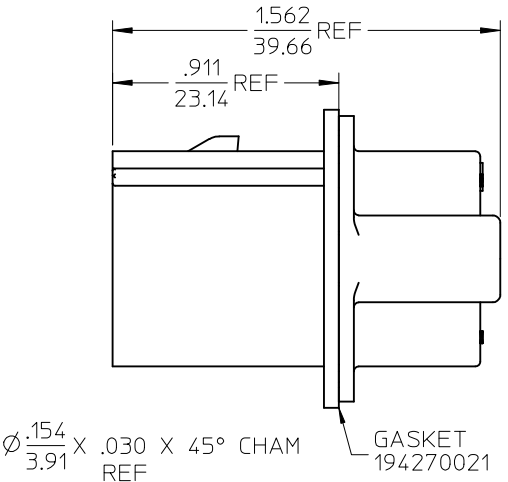
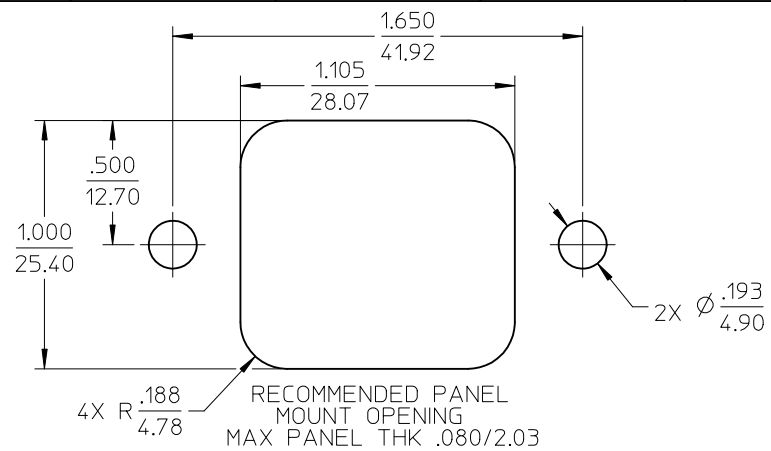


SCALE 1:1



194290036	YES
194290010	NO
MATERIAL NUMBER	GASKET

THIRD ANGLE PROJECTION
REVISE ON CAD ONLY

TITLE
6 WAY PLUG PANEL MOUNT ASSEMBLY 22-14 AWG

MOLEX INCORPORATED

MATERIAL NO. SEE CHART SD-19429-003 DOCUMENT NO. SHEET NO. 1 OF 1

THIS DRAWING CONTAINS INFORMATION THAT IS PROPRIETARY TO MOLEX INCORPORATED AND SHOULD NOT BE USED WITHOUT WRITTEN PERMISSION

REVISE NOTES EC NO: IFG2012-0161 IDRMN:WLEUNG 2012/02/10 CHKD: CHKKR APPR: DTTITUS 2012/02/28	QUALITY SYMBOLS	GENERAL TOLERANCES (UNLESS SPECIFIED)	SCALE 2:1	DESIGN UNITS INCH
		mm INCH	DIMENSION STYLE IN/MM	
	▽ -0	4 PLACES ± --- ± --- 3 PLACES ± --- ± .015 2 PLACES ± 0.38 ± --- 1 PLACE ± --- ± ---	DRAWN BY DMYRICK	DATE 03/11/10
	∇ -0	ANGULAR ± 1°	CHECKED BY JPAWLICK	DATE 03/11/10
		DRAFT WHERE APPLICABLE	APPROVED BY DTTITUS	DATE 2010/10/18
		MUST REMAIN WITHIN DIMENSIONS		

- NOTES:
- MATERIALS:
HOUSING: POLYESTER (PBT), GLASS FILLED, UL94 V-0, COLOR: BLACK
GASKET: EPDM RUBBER
 - PRODUCT SPECIFICATION: PS-19417-001.
 - PACKAGING SPECIFICATION: PK-19429-001.
GASKETS, IF REQUIRED FOR THE ASSEMBLIES, ARE BULK PACKAGED IN A SEPARATE BAG.
 - MATES WITH: 19418 SERIES RECEPTACLE ASSEMBLIES.
 - USE CONNECTOR WITH MALE CRIMP TERMINAL: SERIES 19417.
 - RECOMMENDED MOUNTING HARDWARE: (2)#10 X .62/15.8 LONG PLASTIC THREAD CUTTING SCREWS. RECOMMENDED TORQUE 15-17 IN-LBS. SUGGESTED SOURCE: ITW SHAKEPROOF INDUSTRIAL BOSSCREW OR EQUIVALENT.
 - ASSEMBLY IS ROHS COMPLIANT.