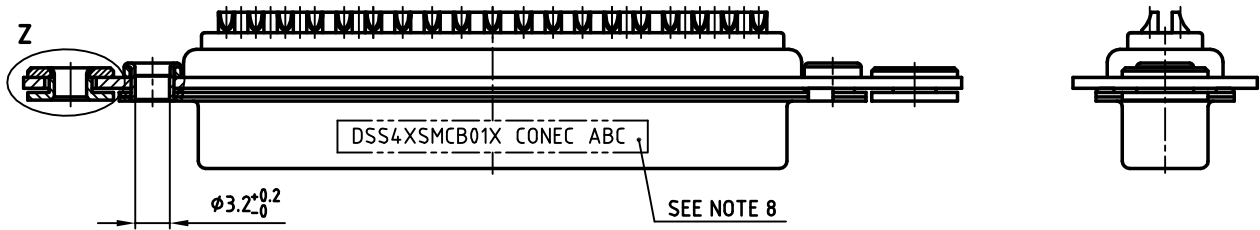
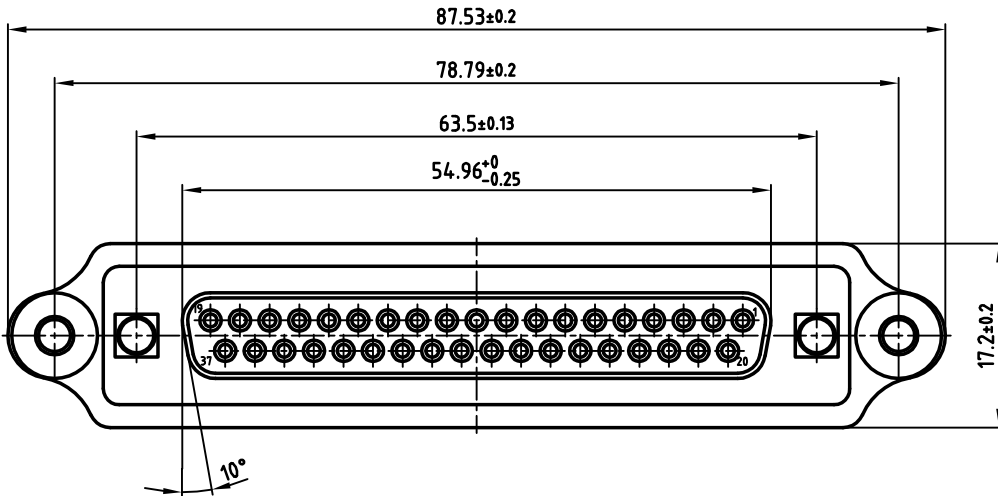
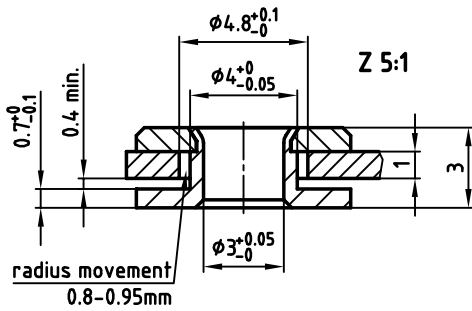
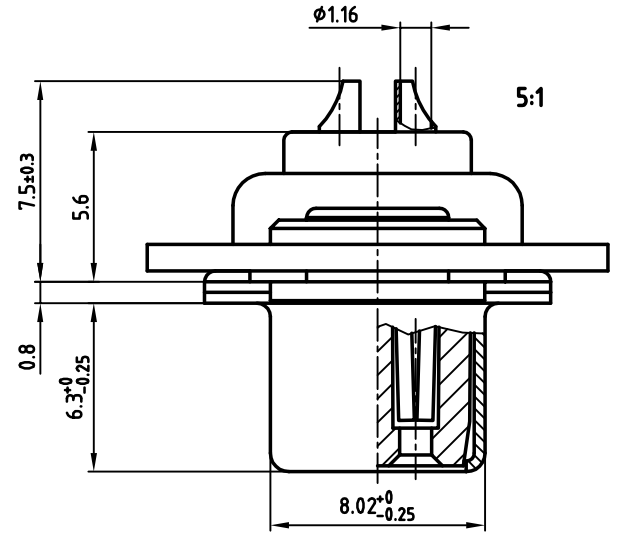


used for: D-SUB

NOTES:

1. METAL SHELLS: STEEL; min. 315µin TIN over 40-80µin NICKEL
2. INSULATORS: PBT GF UL 94 V-0, BLACK
3. CONTACTS: COPPER ALLOY
PLATING: 30µin HARD GOLD OVER min. 50µin NICKEL
SOLDER CUP ACCEPTS CABLE AWG 20
4. FRAME: STEEL; NICKEL PLATED
5. FLOAT MOUNTS: COPPER ALLOY; NICKEL PLATED
6. RIVETED INSERT: COPPER ALLOY; min. 200µin TIN over 80µin NICKEL
7. COLLAR: COPPER ALLOY min. 200µin TIN over 80µin NICKEL
8. CONNECTOR IS PART MARKED: DSS4XSMCB01X CONEC ABC



APPROVAL * FREIGABE * DEBLOCAGE * AUTORIZACION * APPROVAL	
CUSTOMER APPROVAL DATE:	
NAME:	TITLE:
COMPANY NAME:	
APPROVAL * FREIGABE * DEBLOCAGE * AUTORIZACION * APPROVAL	

THIS DRAWING MAY NOT BE COPIED OR REPRODUCED IN ANY WAY, AND MAY NOT BE PASSED ON TO A THIRD PARTY WITHOUT WRITTEN PERMISSION. OWNERSHIP AND COPYRIGHT OF CONEC Gmbh DO NOT ALTER CAD DRAWING BY HAND			
rev.	description	date	name
a	Origin		

tolerance		
dim. in mm		
2009	date	name
drawn	06.01.	Petker
appd.	06.01.	Mickenbecker
norm DIN 41652		
d-old		
CONEC		

scale: 2:1 (5:1)	
material: SEE NOTES	
title: D-SUB FEMALE 37pos. SOLDER CUP with FRAME, FLOAT for BLIND MATING SYSTEM	
dwg no:	AutoCAD 2006 DIN-A
16K2A1048	
part no: DSS4XSMCB01X	
3 sh: 1/1	