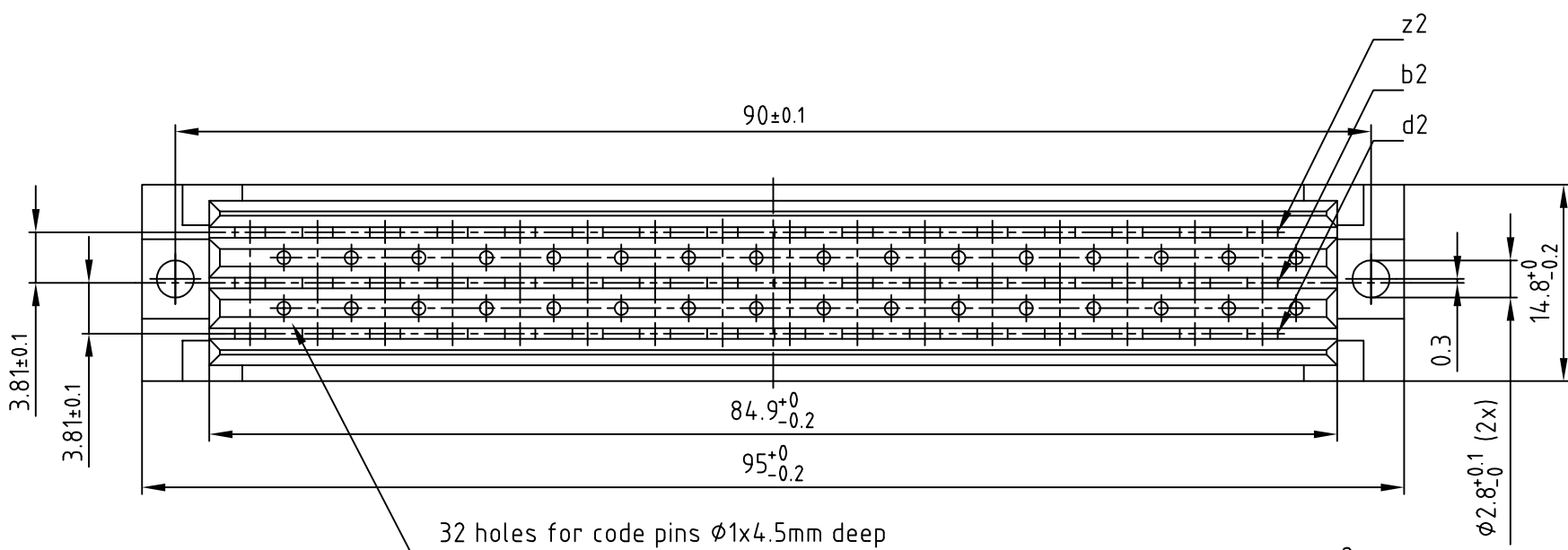
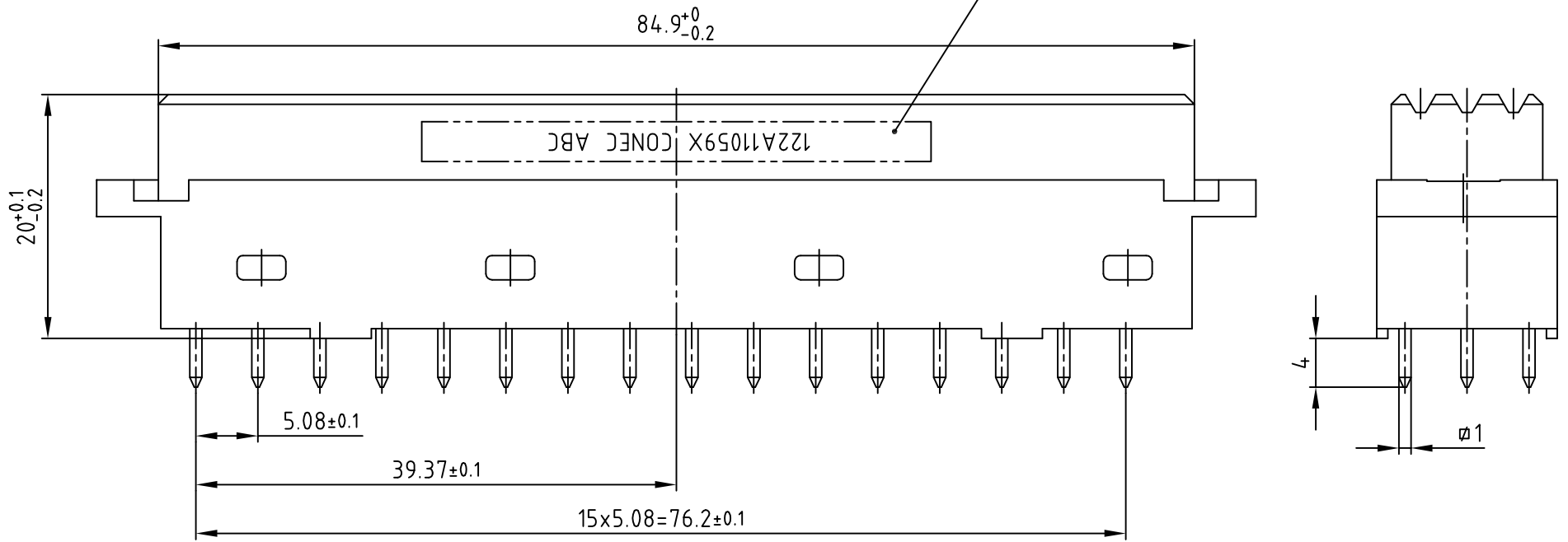
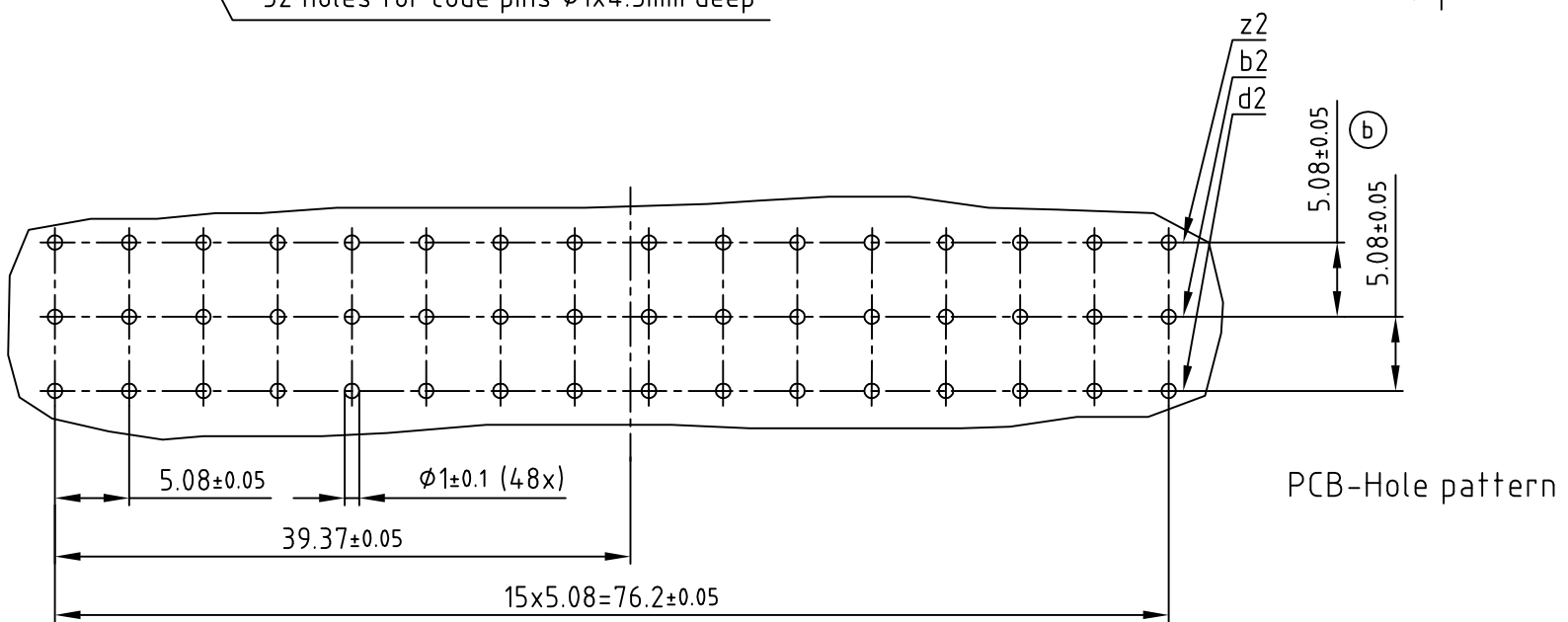


used for: DIN 41612 (EN 60603-2) "F"

SEE NOTE 3



32 holes for code pins $\phi 1 \times 4.5$ mm deep



PCB-Hole pattern

NOTES:

- INSULATORS: PBT UL 94 V-0, GREY
- CONTACTS: COPPER ALLOY
PLATING: GOLD over NICKEL
50 MATING CYLES
- CONNECTOR IS PART MARKED: 122A11059X CONEC ABC

Directive 2002/95/EC RoHS compliant

THIS DRAWING MAY NOT BE COPIED OR REPRODUCED IN ANY WAY, AND MAY NOT BE PASSED ON TO A THIRD PARTY WITHOUT WRITTEN PERMISSION. OWNERSHIP AND COPYRIGHT OF CONEC GmbH DO NOT ALTER CAD DRAWING BY HAND

1 x b	Ä3915	17.02.2011	K.H.
a	Origin		
rev.	description	date	name

tolerance			scale:	2:1
			material:	SEE NOTES
2008	date	name	title:	
drawn	04.06.	Sonnenberg	Female connector Type "F"	
appd.	05.06.	Mickenbecker	48 Pos. Solder pin straight, 1x1mm	
norm	DIN 41612 (EN 60603-2)			dwg no: AutoCAD/REL.14 DIN-A
d-old				
12K2IH4A		3		
part no: 122A11059X		sh:1/1		

