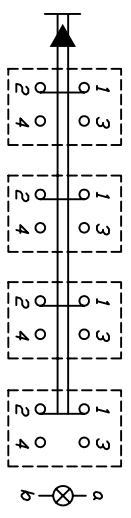


RECOMMENDED PANEL MOUNTING

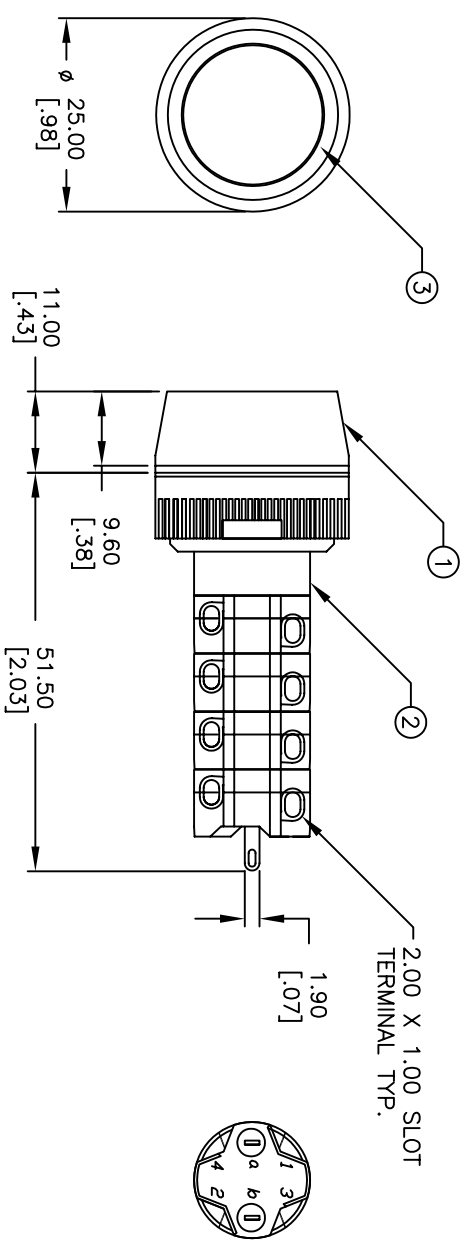


4PST CONTACT CONFIGURATION

- NOTES:
1. ALL DIMENSIONS IN MM [INCH]
 2. GENERAL TOLERANCE: X.X=±0.4
X.XX=±0.25
 3. RATINGS: 250VAC @1A, 2A, 4A, 5A

PARTS LIST

Item	Qty.	Dwg. No.	Part No.
1	1	F051702	25mm RING FOR LA SERIES
2	1	F060605	LASEEV140
3	1	F060251	25mm BLU LENS
-	1	F050405	50-004-05 (LAMP)



A	11189	RELEASED FOR PRODUCTION	1/22/01	CJB
REV.	ECN No.	DESCRIPTION	DATE	CHKD

TITLE				
LAS EE V1 4C BLU				
SCALE	DATE	DR	DWG	REV
1:1	1/22/01	CJB	XF0381A	A



THE INFORMATION CONTAINED IN THIS DOCUMENT IS PROPRIETARY TO E-SWITCH AND IS NOT TO BE COPIED OR TRANSFERRED